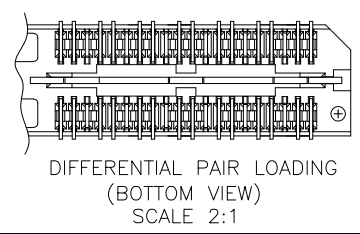
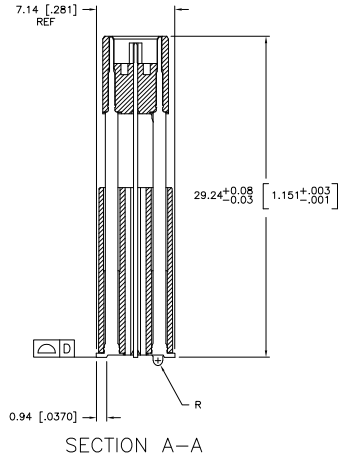


LOC	DIST	REVISIONS					
AD	00	P	LTR	DESCRIPTION	DATE	BY	APP'D
		G		REVISED PER EC 0512-0-05	19SEP05	JDP	DD

- 1 HOUSING: LCP, BLACK.  
CONTACT & GROUND PLANE: PHOS BRONZE.
- 2 CONTACT PLATING: SELECT 0.76 MICROMETERS (.000030 IN) MIN GOLD.
- 3 FOR STANDARD APPLICATIONS, ORIENTATION HOLE TO BE Ø1.02 [Ø.0400].



THIS DRAWING IS A CONTROLLED DOCUMENT.

DESIGNED BY: B. CARBO	28MAY03	Tyco Electronics Corporation Harrisburg, PA 17105-3608
CHECKED BY: D. DIXON	28MAY03	
DRAWN BY: D. DIXON	28MAY03	NAME: HEADER ASSEMBLY, 30.0MM [1.181] VERTICAL, 0.80MM CL, MICTOR SB
TOLERANCES UNLESS OTHERWISE SPECIFIED:		SIZE: A2
0 PLC ± .1		CAGE CODE: 00779
1 PLC ± 0.3(0.1)		DRAWING NO: 1658470
2 PLC ± 0.15(0.005)		RESTRICTED TO: —
3 PLC ± 0.05(0.0025)		SCALE: 3:1
4 PLC ± .5		SHEET: 1 of 2
ANGLES ± .5		REV: G
FINISH		

MATERIAL: CUSTOMER DRAWING

AMP 1471-9 REV 31MAR2000

1658470

