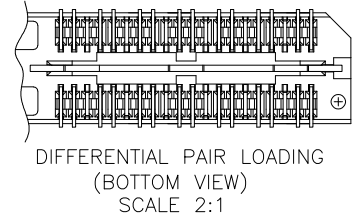
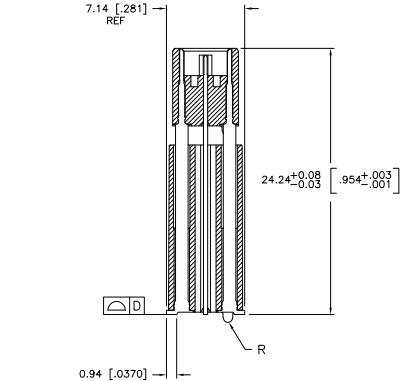


LOC	DIST	REVISIONS			
F	LTR	DESCRIPTION	DATE	BY	APPD
AD	00				
G		REVISED PER EC 0512-0273-05	19SEP05	JDP	DD

- 1 HOUSING: LCP, BLACK. CONTACT & GROUND PLANE: PHOS BRONZE.
- 2 CONTACT PLATING: SELECT 0.76 MICROMETERS (.000030 IN) MIN GOLD.
- 3 FOR STANDARD APPLICATIONS, ORIENTATION HOLE TO BE ø1.02 [ø.0400].



THIS DRAWING IS A CONTROLLED DOCUMENT.		DWG: B. CARBO 28MAY03 CHK: D. DIXON 28MAY03 D. DIXON 28MAY03 PRODUCT SPEC: — APPLICATION SPEC: — WEIGHT: — MATERIAL: — FINISH: —	Tyco Electronics Tyco Electronics Corporation Harrisburg, PA 17105-3608 NAME: — HEADER ASSEMBLY, 25.0MM [.984] VERTICAL, 0.80MM CL, MICTOR SB SIZE: — CASE CODE: — DRAWING NO: A200779 SCALE: 3:1 SHEET: 1 of 2 REV: G
--	--	---	---

AMP 1471-9 REV 31MAR2000

16558469

4

3

2

1

THIS DRAWING IS UNPUBLISHED. RELEASED FOR PUBLICATION
 © COPYRIGHT BY TYCO ELECTRONICS CORPORATION. ALL RIGHTS RESERVED.

LOC	DIST	REVISIONS			
P	LR	DESCRIPTION	DATE	BY	APPD
AD	00	SEE SHEET 1			

80.00(3.150)	4	0.152(.0060)	98.50(3.748)	95.20(3.748)	100.00(3.937)	TRAY	YES	140	1-1658469-5
60.00(2.362)	3	0.152(.0060)	78.49(3.090)	75.20(2.961)	80.00(3.150)	TRAY	YES	112	1-1658469-4
40.00(1.575)	2	0.102(.0040)	58.50(2.303)	55.20(2.173)	60.00(2.362)	TRAY	YES	84	1-1658469-3
20.00(.7874)	1	0.102(.0040)	38.48(1.515)	35.20(1.386)	40.00(1.575)	TRAY	YES	56	1-1658469-2
0(.000)	0	0.102(.0040)	18.49(.728)	15.20(.598)	20.00(.787)	TRAY	YES	28	1-1658469-1
80.00(3.150)	4	0.152(.0060)	98.50(3.748)	95.20(3.748)	100.00(3.937)	TRAY	NO	200	1658469-5
60.00(2.362)	3	0.152(.0060)	78.49(3.090)	75.20(2.961)	80.00(3.150)	TRAY	NO	160	1658469-4
40.00(1.575)	2	0.102(.0040)	58.50(2.303)	55.20(2.173)	60.00(2.362)	TRAY	NO	120	1658469-3
20.00(.7874)	1	0.102(.0040)	38.48(1.515)	35.20(1.386)	40.00(1.575)	TRAY	NO	80	1658469-2
0(.000)	0	0.102(.0040)	18.49(.728)	15.20(.598)	20.00(.787)	TRAY	NO	40	1658469-1
F	E	D	C	B	A	PACKAGING TYPE	DIFF. PAIR	NO OF POS	PART NUMBER

THIS DRAWING IS A CONTROLLED DOCUMENT.

DIMENSIONS: mm [INCHES] 0 PLG ± .1 1 PLG ± 0.3(0.1) 2 PLG ± 0.15(0.005) 3 PLG ± 0.08(0.0025) 4 PLG ± .1 ANGLE ± .1 FINISH	TO FINISH DIMENSIONS DIMENSIONS UNLESS OTHERWISE SPECIFIED D. CARBO 28MAV03 D. DIXON 28MAV03 D. DIXON 28MAV03 PRODUCT SPEC: APPLICATION SPEC: WEIGHT: — CUSTOMER DRAWING	Tyco Electronics Corporation Harrisburg, PA 17105-3608 Tyco Electronics NAME: HEADER ASSEMBLY, 25.0MM [.984] VERTICAL, 0.80MM CL, MICTOR SB SIZE: A2 CASE CODE: 00779 DRAWING NO: 1658469 RESTRICTED TO: — SCALE: 3:1 SHEET: 2 of 2 REV: G
---	--	---

1658469

A