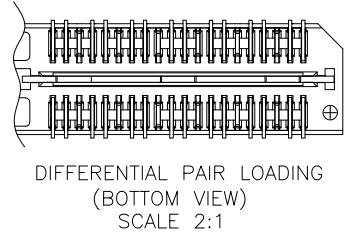
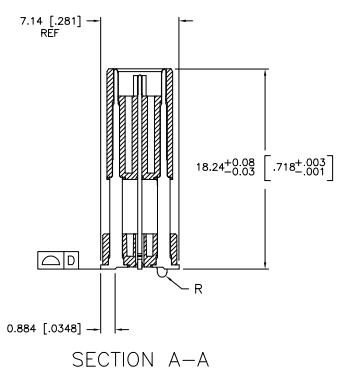


LOC	DIST	REVISIONS					
AD	00	P	LTR	DESCRIPTION	DATE	BY	APPD
		H		REVISED PER EC 0512-0273-05	28SEP05	JDP	DD

- 1 HOUSING: LCP, BLACK.
CONTACT & GROUND PLANE: PHOS BRONZE.
- 2 CONTACT PLATING: SELECT 0.76 MICROMETERS (.000030 IN) MIN GOLD.
- 3 FOR STANDARD APPLICATIONS, ORIENTATION HOLE TO BE ø1.02 [ø.0400].



THIS DRAWING IS A CONTROLLED DOCUMENT.		DWG: B. CARBO 28MAY03 CHK: D. DIXON 28MAY03 APPD: D. DIXON 28MAY03 NAME:	Tyco Electronics Tyco Electronics Corporation Harrisburg, PA 17105-3608
DIMENSIONS: mm [INCHES]	TO MANUFACTURE DIMENSIONS, SEE EC 0512-0273-05.	PRODUCT SPEC:	APPLICATION SPEC:
MATERIAL:	FINISH:	WEIGHT:	SIZE: A2 CAGE CODE: 00779 DRAWING NO: 1658467
CUSTOMER DRAWING		SCALE: 4:1	SHEET: 1 of 2 REV: H

AMP 1471-9 REV 31MAR2000

1658467

4

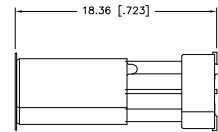
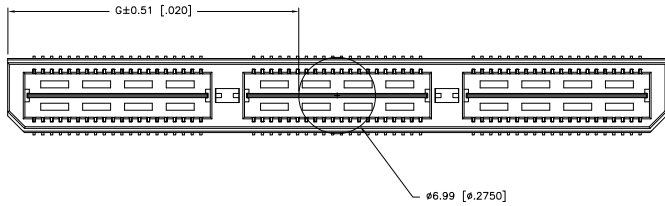
3

2

1

THIS DRAWING IS UNPUBLISHED. RELEASED FOR PUBLICATION. BY TYCO ELECTRONICS CORPORATION. ALL RIGHTS RESERVED.

LOC	DIST	REV	DESCRIPTION	DATE	BY	APPD
AD	00					
			SEE SHEET 1			



46.51(1.831)	80.00(3.150)	4	0.152(0.060)	98.50(3.748)	95.20(3.748)	100.00(3.937)	YES	TRAY	YES	140	3-1658467-5
36.53(1.438)	60.00(2.362)	3	0.152(0.060)	78.49(3.090)	75.20(2.961)	80.00(3.150)	YES	TRAY	YES	112	3-1658467-4
26.52(1.044)	40.00(1.575)	2	0.102(0.040)	58.50(2.303)	55.20(2.173)	60.00(2.362)	YES	TRAY	YES	84	3-1658467-3
16.51(.650)	20.00(.7874)	1	0.102(0.040)	38.48(1.515)	35.20(1.386)	40.00(1.575)	YES	TRAY	YES	56	3-1658467-2
6.50(.256)	0(.000)	0	0.102(0.040)	18.49(.728)	15.20(.598)	20.00(.787)	YES	TRAY	YES	28	3-1658467-1
46.51(1.831)	80.00(3.150)	4	0.152(0.060)	98.50(3.748)	95.20(3.748)	100.00(3.937)	YES	TRAY	NO	200	2-1658467-5
36.53(1.438)	60.00(2.362)	3	0.152(0.060)	78.49(3.090)	75.20(2.961)	80.00(3.150)	YES	TRAY	NO	160	2-1658467-4
26.52(1.044)	40.00(1.575)	2	0.102(0.040)	58.50(2.303)	55.20(2.173)	60.00(2.362)	YES	TRAY	NO	120	2-1658467-3
16.51(.650)	20.00(.7874)	1	0.102(0.040)	38.48(1.515)	35.20(1.386)	40.00(1.575)	YES	TRAY	NO	80	2-1658467-2
6.50(.256)	0(.000)	0	0.102(0.040)	18.49(.728)	15.20(.598)	20.00(.787)	YES	TRAY	NO	40	2-1658467-1
-	80.00(3.150)	4	0.152(0.060)	98.50(3.748)	95.20(3.748)	100.00(3.937)	NO	TRAY	YES	140	1-1658467-5
-	60.00(2.362)	3	0.152(0.060)	78.49(3.090)	75.20(2.961)	80.00(3.150)	NO	TRAY	YES	112	1-1658467-4
-	40.00(1.575)	2	0.102(0.040)	58.50(2.303)	55.20(2.173)	60.00(2.362)	NO	TRAY	YES	84	1-1658467-3
-	20.00(.7874)	1	0.102(0.040)	38.48(1.515)	35.20(1.386)	40.00(1.575)	NO	TRAY	YES	56	1-1658467-2
-	0(.000)	0	0.102(0.040)	18.49(.728)	15.20(.598)	20.00(.787)	NO	TRAY	YES	28	1-1658467-1
-	80.00(3.150)	4	0.152(0.060)	98.50(3.748)	95.20(3.748)	100.00(3.937)	NO	TRAY	NO	200	1658467-5
-	60.00(2.362)	3	0.152(0.060)	78.49(3.090)	75.20(2.961)	80.00(3.150)	NO	TRAY	NO	160	1658467-4
-	40.00(1.575)	2	0.102(0.040)	58.50(2.303)	55.20(2.173)	60.00(2.362)	NO	TRAY	NO	120	1658467-3
-	20.00(.7874)	1	0.102(0.040)	38.48(1.515)	35.20(1.386)	40.00(1.575)	NO	TRAY	NO	80	1658467-2
-	0(.000)	0	0.102(0.040)	18.49(.728)	15.20(.598)	20.00(.787)	NO	TRAY	NO	40	1658467-1
G	F	E	D	C	B	A	POLYIMIDE FILM PAD	PACKAGING TYPE	DIFF. PAIRS	NO OF POS	PART NUMBER

THIS DRAWING IS A CONTROLLED DOCUMENT.

DIMENSIONS: mm [INCHES] TO FINISHES UNLESS SPECIFIED: 0. PLC ± .1 1. PLC ± .03(0.1) 2. PLC ± 0.15(0.005) 3. PLC ± 0.08(0.0025) 4. PLC ± .1 ANGLE: ± .1 FINISH:	THIS DRAWING IS A CONTROLLED DOCUMENT. DIM: B. CARBO 28MAV03 CHK: D. DIXON 28MAV03 DATE: 28MAV03 NAME: D. DIXON PRODUCT SPEC: APPLICATION SPEC WEIGHT: -- CUSTOMER DRAWING	Tyco Electronics Corporation Harrisburg, PA 17105-3608 Tyco Electronics HEADER ASSEMBLY, 19.0MM [.748] VERTICAL, 0.80MM CL, MICTOR SB SIZE: A2 CASE CODE: 00779 DRAWING NO: 1658467 RESTRICTED TO: -- SCALE: 3:1 SHEET: 2 of 2 REV: H
--	---	--

1658467

A