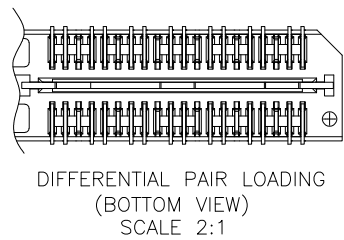
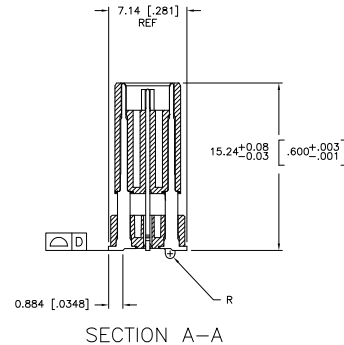


LOC	DIST	REVISIONS					
AD	00	F	LTR	DESCRIPTION	DATE	BY	APPD
		H		REVISED PER EC 0512-0273-05	19SEP05	JDP	DD

- 1 HOUSING: LCP, BLACK.
CONTACT & GROUND PLANE: PHOS BRONZE.
- 2 CONTACT PLATING: SELECT 0.76 MICROMETERS (.000030 IN) MIN GOLD.
- 3 FOR STANDARD APPLICATIONS, ORIENTATION HOLE TO BE $\phi 1.02$ [$\phi .0400$].



THIS DRAWING IS A CONTROLLED DOCUMENT.		DWG: B. CARBO 27MAY03 CHK: D. DIXON 27MAY03 D. DIXON 27MAY03 APPD: D. DIXON 27MAY03 PRODUCT SPEC:	Tyco Electronics Tyco Electronics Corporation Harrisburg, PA 17105-3608
DIMENSIONS: mm [INCHES] TO DIMENSIONS UNLESS OTHERWISE SPECIFIED: 0 PLC ± .1 1 PLC ± 0.3(0.1) 2 PLC ± 0.15(0.05) 3 PLC ± 0.08(.0025) 4 PLC ± .1 ANGLES ± .1° FINISH	NAME: HEADER ASSEMBLY, 16.0MM [6.30] VERTICAL, 0.80MM CL, MICTOR SB APPLICATION SPEC:	SIZE: A2 CASE CODE: 00779 DRAWING NO: 1658466 RESTRICTED TO:	CUSTOMER DRAWING SCALE: 3:1 SHEET: 1 of 2 REV: H

AMP 1471-9 REV 31MAR2000

1658466

4

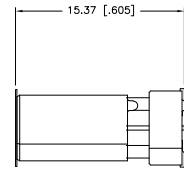
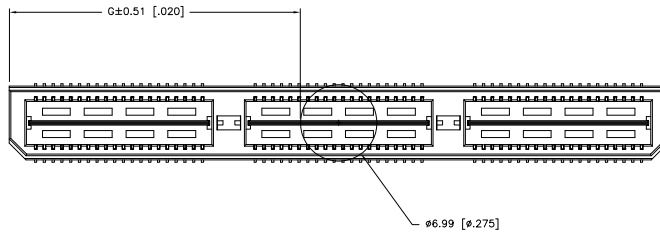
3

2

1

THIS DRAWING IS UNPUBLISHED. RELEASED FOR PUBLICATION. ALL RIGHTS RESERVED.
 © COPYRIGHT BY TYCO ELECTRONICS CORPORATION.

LOC	DIST	REVISIONS					
AD	OO	P	LTR	DESCRIPTION	DATE	BY	APP
				SEE SHEET 1			



26.52(1.044)	40.00(1.575)	2	0.102(0.040)	58.50(2.303)	55.20(2.173)	60.00(2.362)	YES	POCKET TAPE	YES	84	7-1658466-3
16.51(650)	20.00(.7874)	1	0.102(0.040)	38.48(1.515)	35.20(1.386)	40.00(1.575)	YES	POCKET TAPE	YES	56	7-1658466-2
6.50(.256)	0(.000)	0	0.102(0.040)	18.49(.728)	15.20(.598)	20.00(.787)	YES	POCKET TAPE	YES	28	7-1658466-1
26.52(1.044)	40.00(1.575)	2	0.102(0.040)	58.50(2.303)	55.20(2.173)	60.00(2.362)	YES	POCKET TAPE	NO	120	6-1658466-3
16.51(650)	20.00(.7874)	1	0.102(0.040)	38.48(1.515)	35.20(1.386)	40.00(1.575)	YES	POCKET TAPE	NO	80	6-1658466-2
6.50(.256)	0(.000)	0	0.102(0.040)	18.49(.728)	15.20(.598)	20.00(.787)	YES	POCKET TAPE	NO	40	6-1658466-1
-	40.00(1.575)	2	0.102(0.040)	58.50(2.303)	55.20(2.173)	60.00(2.362)	NO	POCKET TAPE	YES	84	5-1658466-3
-	20.00(.7874)	1	0.102(0.040)	38.48(1.515)	35.20(1.386)	40.00(1.575)	NO	POCKET TAPE	YES	56	5-1658466-2
-	0(.000)	0	0.102(0.040)	18.49(.728)	15.20(.598)	20.00(.787)	NO	POCKET TAPE	YES	28	5-1658466-1
-	40.00(1.575)	2	0.102(0.040)	58.50(2.303)	55.20(2.173)	60.00(2.362)	NO	POCKET TAPE	NO	120	4-1658466-3
-	20.00(.7874)	1	0.102(0.040)	38.48(1.515)	35.20(1.386)	40.00(1.575)	NO	POCKET TAPE	NO	80	4-1658466-2
-	0(.000)	0	0.102(0.040)	18.49(.728)	15.20(.598)	20.00(.787)	NO	POCKET TAPE	NO	40	4-1658466-1
46.51(1.831)	80.00(3.150)	4	0.152(0.060)	98.50(3.748)	95.20(3.748)	100.00(3.937)	YES	TRAY	YES	140	3-1658466-5
36.53(1.438)	60.00(2.362)	3	0.152(0.060)	78.49(3.090)	75.20(2.961)	80.00(3.150)	YES	TRAY	YES	112	3-1658466-4
26.52(1.044)	40.00(1.575)	2	0.102(0.040)	58.50(2.303)	55.20(2.173)	60.00(2.362)	YES	TRAY	YES	84	3-1658466-3
16.51(650)	20.00(.7874)	1	0.102(0.040)	38.48(1.515)	35.20(1.386)	40.00(1.575)	YES	TRAY	YES	56	3-1658466-2
6.50(.256)	0(.000)	0	0.102(0.040)	18.49(.728)	15.20(.598)	20.00(.787)	YES	TRAY	YES	28	3-1658466-1
46.51(1.831)	80.00(3.150)	4	0.152(0.060)	98.50(3.748)	95.20(3.748)	100.00(3.937)	YES	TRAY	NO	200	2-1658466-5
36.53(1.438)	60.00(2.362)	3	0.152(0.060)	78.49(3.090)	75.20(2.961)	80.00(3.150)	YES	TRAY	NO	160	2-1658466-4
26.52(1.044)	40.00(1.575)	2	0.102(0.040)	58.50(2.303)	55.20(2.173)	60.00(2.362)	YES	TRAY	NO	120	2-1658466-3
16.51(650)	20.00(.7874)	1	0.102(0.040)	38.48(1.515)	35.20(1.386)	40.00(1.575)	YES	TRAY	NO	80	2-1658466-2
6.50(.256)	0(.000)	0	0.102(0.040)	18.49(.728)	15.20(.598)	20.00(.787)	YES	TRAY	NO	40	2-1658466-1
-	80.00(3.150)	4	0.152(0.060)	98.50(3.748)	95.20(3.748)	100.00(3.937)	NO	TRAY	YES	140	1-1658466-5
-	60.00(2.362)	3	0.152(0.060)	78.49(3.090)	75.20(2.961)	80.00(3.150)	NO	TRAY	YES	112	1-1658466-4
-	40.00(1.575)	2	0.102(0.040)	58.50(2.303)	55.20(2.173)	60.00(2.362)	NO	TRAY	YES	84	1-1658466-3
-	20.00(.7874)	1	0.102(0.040)	38.48(1.515)	35.20(1.386)	40.00(1.575)	NO	TRAY	YES	56	1-1658466-2
-	0(.000)	0	0.102(0.040)	18.49(.728)	15.20(.598)	20.00(.787)	NO	TRAY	YES	28	1-1658466-1
-	80.00(3.150)	4	0.152(0.060)	98.50(3.748)	95.20(3.748)	100.00(3.937)	NO	TRAY	NO	200	1658466-5
-	60.00(2.362)	3	0.152(0.060)	78.49(3.090)	75.20(2.961)	80.00(3.150)	NO	TRAY	NO	160	1658466-4
-	40.00(1.575)	2	0.102(0.040)	58.50(2.303)	55.20(2.173)	60.00(2.362)	NO	TRAY	NO	120	1658466-3
-	20.00(.7874)	1	0.102(0.040)	38.48(1.515)	35.20(1.386)	40.00(1.575)	NO	TRAY	NO	80	1658466-2
-	0(.000)	0	0.102(0.040)	18.49(.728)	15.20(.598)	20.00(.787)	NO	TRAY	NO	40	1658466-1
G	F	E	D	C	B	A	POLYIMIDE FILM PAD		PACKAGING TYPE	DIFF PAIR	NO OF PART NUMBER

THIS DRAWING IS A CONTROLLED DOCUMENT.

DIMENSIONS: mm [INCHES] TO DIMENSIONS UNLESS OTHERWISE SPECIFIED: 0 PLG ± .01 1 PLG ± .03(0.1) 2 PLG ± 0.13(0.05) 3 PLG ± 0.08(0.025) 4 PLG ± .1 ANGLES ± .1 FINISH	DWG: B. CARBO 27MAY03 CHK: D. DIXON 27MAY03 APPR: D. DIXON 27MAY03 PRODUCT SPEC: -- APPLICATION SPEC: -- WEIGHT: -- CUSTOMER DRAWING	Tyco Electronics Corporation Harrisburg, PA 17105-3608 HEADER ASSEMBLY, 16.0MM [630] VERTICAL, 0.80MM CL, MICTOR SB SIZE: A2 CASE CODE: 00779 DRAWING NO: C-1658466 RESTRICTED TO: -- SCALE: 3:1 SHEET: 2 of 2 REV: H
---	--	--

1658466

A