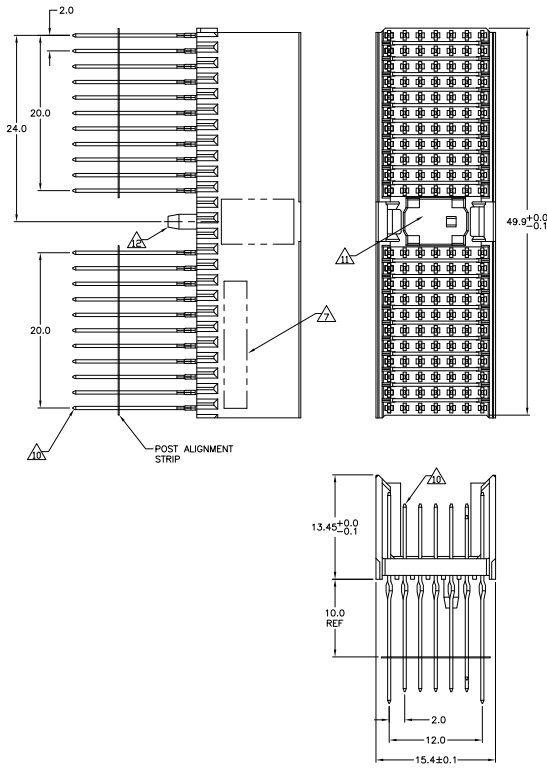


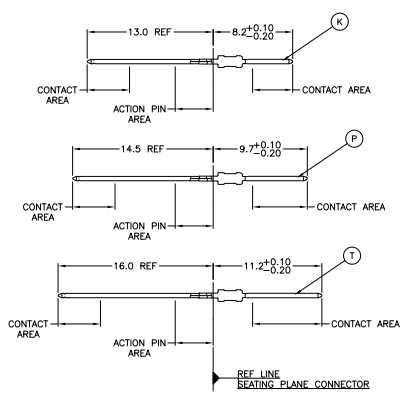
THIS DRAWING IS UNPUBLISHED. REVISIONS FOR INFORMATION. ALL RIGHTS RESERVED.

REV	DATE	DESCRIPTION	BY	CHK	APP
C	2006-05	REVISED PER EDN 0212-0306-05	2006/06	JDP	GES
D	2006-05	ECR-10-019054	1999/10	DP	MOW

### CONNECTOR ASSEMBLY EXEMPLARY LOADED



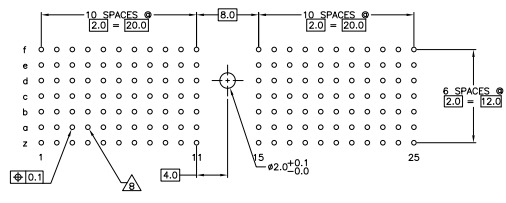
### CONTACT DIMENSIONS SCALE 5:1



### CONTACT LAYOUT

	z	a	b	c	d	e	f
1	T	P	P	P	P	P	T
2	T	P	P	P	P	P	T
3	T	P	P	P	P	P	T
4	T	P	P	P	P	P	T
5	T	P	P	P	P	P	T
6	T	P	P	P	P	P	T
7	T	P	P	P	P	P	T
8	T	P	P	P	P	P	T
9	T	P	P	P	P	P	T
10	T	P	P	P	P	P	T
11	T	P	P	P	P	P	T
MULTI PURPOSE CENTER							
15	T	P	P	P	P	P	T
16	T	P	P	P	P	P	T
17	T	P	P	P	P	P	T
18	T	P	P	P	P	P	T
19	T	P	P	P	P	P	T
20	T	P	P	P	P	P	T
21	T	P	P	P	P	P	T
22	T	P	P	P	P	P	T
23	T	P	P	P	P	P	T
24	T	P	P	P	K	T	
25	T	P	P	P	K	T	

### RECOMMENDED PCB-HOLE LAYOUT COMPONENT SIDE SHOWN



### PLATED THRU HOLES PARAMETERS REFERENCE APPLICATION SPECIFICATION

1-1483063-9
1483063-9
1483063-4
1483063-1
FINISH
PART NUMBER

THIS DRAWING IS A CONTROLLED DOCUMENT.

DESIGNED BY	SKIPPY	DATE	114-19029
ENGINEER	SKIPPY	DATE	114-19029
DATE	114-19029	REVISED BY	SKIPPY
DATE	114-19029	REVISED BY	SKIPPY

Customer Drawing: A100779 (S)=1483063

THIS DRAWING IS UNPUBLISHED. ALL RIGHTS RESERVED.  
 © 2008 Tyco Electronics Corporation

REV	DATE	DESCRIPTION	BY	APP'D
AD	00	SEE SHEET 1	-	-

- △ MATERIAL:  
CONTACT: PHOSPHOR BRONZE.  
HOUSING: GLASS-FILLED POLYESTER.
- △ GENERAL PLATING SPECIFICATION: UNDERPLATING  
(ENTIRE CONTACT): 1.27µm MIN NICKEL AND ACTION  
PIN: 0.5µm MIN TIN/LEAD.  
FOR PLATING OF MATING SURFACES SEE APPLICABLE  
SPECIFICATION REFERENCE FOR EACH DASH NUMBER.
- △ CONFORMS TO ALL TESTING ACCORDING TO IEC 61076-4-101  
PERFORMANCE LEVEL 2.
- △ CONFORMS TO ALL TESTING ACCORDING TO IEC 61076-4-101  
PERFORMANCE LEVEL 1.
- △ CONNECTOR TESTED AND QUALIFIED AGAINST TELCORDIA GR-1217-CORE QUALITY LEVEL 3,  
CENTRAL OFFICE APPLICATIONS.
- △ CONNECTOR TESTED AND QUALIFIED AGAINST TELCORDIA GR-1217-CORE QUALITY LEVEL 3,  
UNCONTROLLED ENVIRONMENT APPLICATIONS.
- △ CONNECTOR MARKED WITH PART NUMBER AND DATE CODE.  
ADDITIONAL CHARACTERS OR MARKINGS, AS WELL AS THE LOCATION OF THE MARKINGS,  
MAY BE ADDED FOR TRACEABILITY BASED UPON MANUFACTURERS DISCRETION.
- △ PLATED-THROUGH HOLES AT 2x2mm SQUARE GRID  
PATTERN DEFINED BY CONTACT LAYOUT.
- △ FOR ACTUAL PIN LOADING SEE "CONTACT LAYOUT".
- △ FOR ACTUAL PIN DIMENSIONS SEE "CONTACT DIMENSIONS".
- △ AREA RESERVED FOR KEYING PART (BASIC P/N 100525)
- △ POLARIZATION FEATURE.
- △ TO BE MEASURED AT BOTTOM OF SHROUD.
- △ CONNECTOR LUBRICATED WITH BELCORE APPROVED LUBRICANT,  
TECHNICAL REFERENCE: TR-NWT-001217 ISSUE 1, SEP 1992.

THIS DRAWING IS A CONTROLLED DOCUMENT.		DESIGNED BY	ENGINEER	Tyco Electronics Corporation Harrisburg, Pa 17105-3608	
APPROVED BY	DATE	DESIGNED BY	ENGINEER	DATE	REVISIONS
SEE SHEET 1	SEE SHEET 1	SEE SHEET 1	SEE SHEET 1	SEE SHEET 1	SEE SHEET 1
DRAWING NO.		PART NO.		DESCRIPTION	
114-19029		108-19082		MALE ASSEMBLY, 2-PACK 2mm HM, TYPE A	
REV		DATE		DRAWING NO.	
A1		00779		1463063	
CUSTOMER DRAWING		SCALE		SHEET	
		4:1		2 of 2	