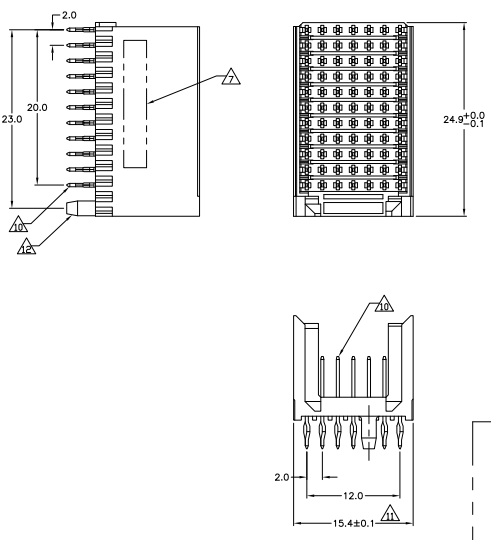


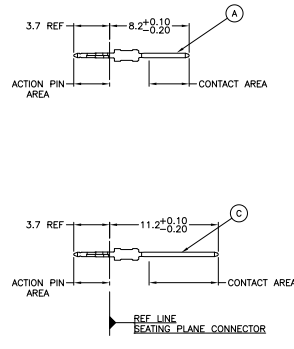
THIS DRAWING IS UNPUBLISHED  
 ALL RIGHTS RESERVED

REV	DATE	DESCRIPTION	BY	APP
00				
D1		REVISED PER EDD-11-005033	28MAR11	RK HMR

**CONNECTOR ASSEMBLY  
 EXAMPLARY LOADED**



**CONTACT DIMENSIONS**  
 SCALE 5:1

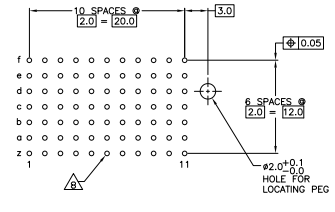


**CONTACT LAYOUT**

	z	a	b	c	d	e	f
1	C	A	A	A	A	A	C
2	C	A	A	A	A	A	C
3	C	A	A	A	A	A	C
4	C	A	A	A	A	A	C
5	C	A	A	A	A	A	C
6	C	A	A	A	A	A	C
7	C	A	A	A	A	A	C
8	C	A	A	A	A	A	C
9	C	A	A	A	A	A	C
10	C	A	A	A	A	A	C
11	C	A	A	A	A	A	C

GUIDING

**RECOMMENDED PCB-HOLE LAYOUT  
 COMPONENT SIDE SHOWN**



**PLATED THRU HOLES PARAMETERS**

REFERENCE APPLICATION SPECIFICATION

FINISH	PART NUMBER
△△△	3-5106081-0
△△△	1-5106081-9
△△△	5106081-9
△△△	5106081-4
△△△	5106081-1

THIS DRAWING IS A CONTROLLED DOCUMENT.

DESIGNED BY	DESIGNED DATE	REVISED BY	REVISED DATE
108-19082	108-19082		
114-19029			

TE Connectivity  
 MALE ASSEMBLY, 2-PACK 2mm HM, TYPE C

SIZE: A1 00779 ©=5106081

CUSTOMER DRAWING

8	7	6	5	4	3	2	1
THIS DRAWING IS UNPUBLISHED							REVISED FOR VERIFICATION
© SUPPLIER							ALL RIGHTS RESERVED

REV. NO.	DATE	DESCRIPTION	BY	APP'D
AD 00		SEE SHEET 1		

- △ MATERIAL:  
CONTACT: PHOSPHOR BRONZE.  
HOUSING: GLASS-FILLED POLYESTER.
- △ GENERAL PLATING SPECIFICATION: UNDERPLATING  
(ENTIRE CONTACT); 1.27µm MIN NICKEL AND ACTION  
PIN: 0.5µm MIN TIN.  
FOR PLATING OF MATING SURFACES SEE APPLICABLE  
SPECIFICATION REFERENCE FOR EACH DASH NUMBER.
- △ CONFORMS TO ALL TESTING ACCORDING TO IEC 61076-4-101  
PERFORMANCE LEVEL 2.
- △ CONFORMS TO ALL TESTING ACCORDING TO IEC 61076-4-101  
PERFORMANCE LEVEL 1.
- △ CONNECTOR TESTED AND QUALIFIED AGAINST TELCORDIA GR-1217-CORE QUALITY LEVEL 3,  
CENTRAL OFFICE APPLICATIONS.
- △ CONNECTOR TESTED AND QUALIFIED AGAINST TELCORDIA GR-1217-CORE QUALITY LEVEL 3,  
UNCONTROLLED ENVIRONMENT APPLICATIONS.
- △ CONNECTOR MARKED WITH PART NUMBER AND DATE CODE.  
ADDITIONAL CHARACTERS OR MARKINGS, AS WELL AS THE LOCATION OF THE MARKINGS,  
MAY BE ADDED FOR TRACEABILITY BASED UPON MANUFACTURERS DISCRETION.
- △ PLATED-THROUGH HOLES AT 2x2mm SQUARE GRID  
PATTERN DEFINED BY CONTACT LAYOUT.
- △ FOR ACTUAL PIN LOADING SEE "CONTACT LAYOUT".
- △ FOR ACTUAL PIN DIMENSIONS SEE "CONTACT DIMENSIONS".
- △ TO BE MEASURED AT BOTTOM OF SHROUD.
- △ LOCATION PEG.
- △ CONNECTOR LUBRICATED WITH BELCORE APPROVED LUBRICANT,  
TECHNICAL REFERENCE: TR-NW-001217 ISSUE 1, SEP 1992.
- △ 0.76µm MIN. GOLD PLATING AT MATING SURFACES.

THIS DRAWING IS A CONTROLLED DOCUMENT.		DESIGNED BY	SKIPPERS	DATE	11/14/02	REVISED BY	SKIPPERS	DATE	11/14/02	REVISED BY	SKIPPERS	DATE	11/14/02	
DRAWN BY		SKIPPERS	DATE	11/14/02	REVISED BY	SKIPPERS	DATE	11/14/02	REVISED BY	SKIPPERS	DATE	11/14/02	REVISED BY	SKIPPERS
CHECKED BY		SKIPPERS	DATE	11/14/02	REVISED BY	SKIPPERS	DATE	11/14/02	REVISED BY	SKIPPERS	DATE	11/14/02	REVISED BY	SKIPPERS
APPROVED BY		SKIPPERS	DATE	11/14/02	REVISED BY	SKIPPERS	DATE	11/14/02	REVISED BY	SKIPPERS	DATE	11/14/02	REVISED BY	SKIPPERS
CUSTOMER DRAWING		CUSTOMER DRAWING		CUSTOMER DRAWING		CUSTOMER DRAWING		CUSTOMER DRAWING		CUSTOMER DRAWING		CUSTOMER DRAWING		

488 12/10