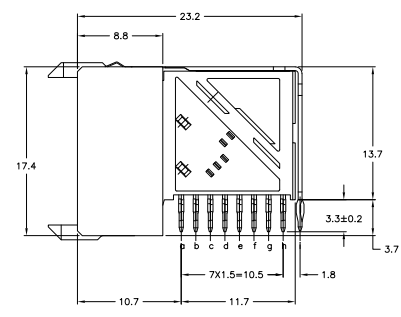
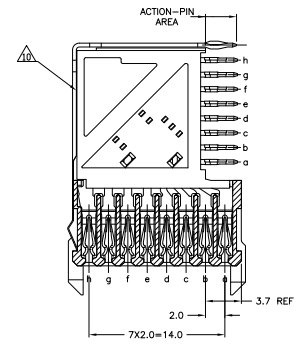
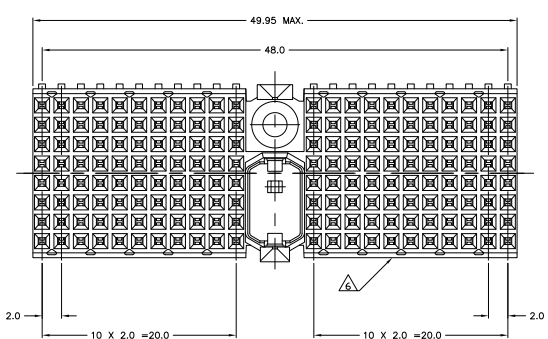
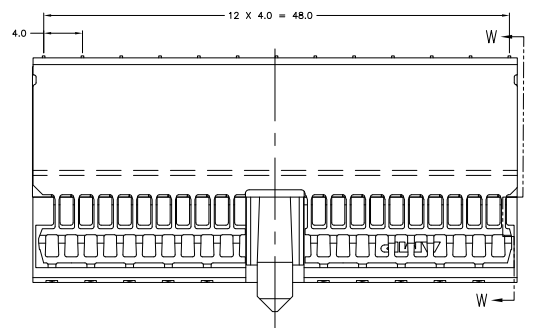
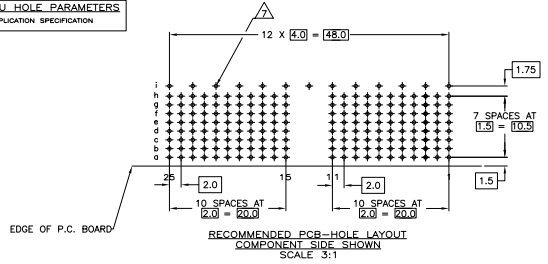


THIS DRAWING IS UNPUBLISHED
 UNLESS INDICATED OTHERWISE
 © 1992 TYS ELECTRONICS CORPORATION ALL RIGHTS RESERVED

REV	DATE	DESCRIPTION	BY	CHKD
E4	REVISED FOR ECO-10-001916	02FEB2010	JY	SY
F	ECR-10-018652	10SEP10	JS	MCW
G	ECO-11-024491	13NOV11	SY	MCW



PLATED THRU HOLE PARAMETERS
 REFERENCE APPLICATION SPECIFICATION



- △ MATERIAL:
CONTACT: PHOSPHOR BRONZE.
HOUSING: GLASS-FILLED POLYESTER.
- △ GENERAL PLATING SPECIFICATION: UNDERPLATING
(ENTIRE CONTACT); 1.27µm MIN NICKEL AND ACTION
PIN: 0.5µm MIN TIN/LEAD.
FOR PLATING OF MATING SURFACES SEE APPLICABLE
SPECIFICATION REFERENCE FOR EACH DASH NUMBER.
- △ CONFORMS TO ALL TESTING ACCORDING TO IEC 61076-4-101
PERFORMANCE LEVEL 2.
- △ CONNECTOR TESTED AND QUALIFIED AGAINST TELCORDIA GR-1217-CORE QUALITY LEVEL 3,
CENTRAL OFFICE APPLICATIONS.
- △ CONNECTOR TESTED AND QUALIFIED AGAINST TELCORDIA GR-1217-CORE QUALITY LEVEL 3,
UNCONTROLLED ENVIRONMENT APPLICATIONS.
- △ CONNECTOR MARKED WITH PART NUMBER AND DATE CODE.
ADDITIONAL CHARACTERS OR MARKINGS, AS WELL AS THE LOCATION OF THE MARKINGS,
MAY BE ADDED FOR TRACEABILITY BASED UPON MANUFACTURERS DISCRETION.
- △ PLATED-THROUGH HOLES AT 2x1.5mm GRID
176 TOTAL HOLES.
- △ ROW "A" 13 PLATED THROUGH HOLES FOR UPERSHIELD.
- △ CONNECTOR & SHIELD LUBRICATED WITH BELCORE APPROVED LUBRICANT,
TECHNICAL REFERENCE: TR-NWT-001217 ISSUE 1, SEP 1992.
- △ SHIELD MOUNTED ON CONNECTOR WITH DOUBLE SIDED ADHESIVE TAPE
OR ADHESIVE.
- △ OBSOLETE PARTS: OBSOLETE CIS STREAMLINING PER D.RENAUD/D.SINISI
- △ 0.76µm MIN GOLD PLATING AT MATING SURFACES.

△	△	△	△	3-646486-0
△	△	△	△	1-646486-9
△	△	△	△	646486-9
△	△	△	△	646486-1
FINISH				PART NUMBER

THIS DRAWING IS A CONTROLLED DOCUMENT.		REVISED FOR ECO-10-001916	DATE	BY	CHKD
DESIGNER	DATE	108-1622	10/8/92	JY	SY
DRWING	DATE	114-19029	11/14/92	JS	MCW
SEC TABLE	DATE	100779	06/24/96	SY	MCW
CUSTOMER DRAWING	DATE	100779	06/24/96	SY	MCW