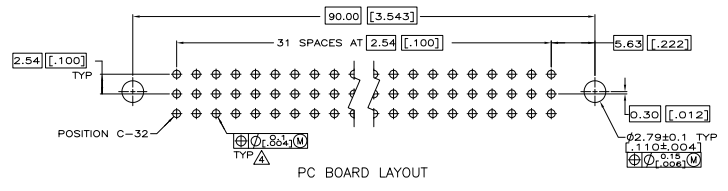
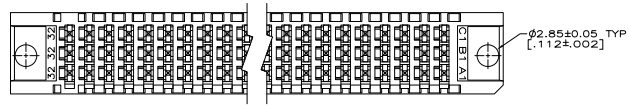
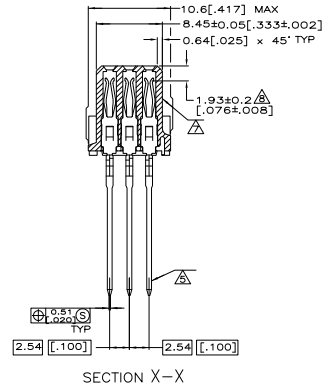
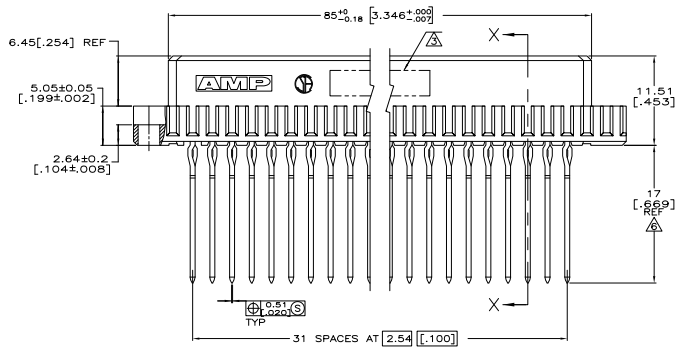
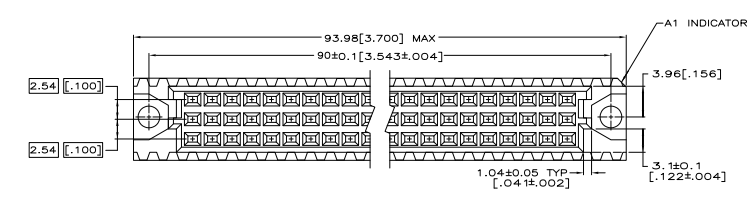


REV	DATE	DESCRIPTION	BY	CHKD
AD 25				
0		RELEASE FOR EC 0012-0082-00		

- △ HOUSING MATERIAL: GLASS-FILLED POLYMER.
- △ CONTACT MATERIAL: COPPER ALLOY.
- △ PART NUMBER AND DATE CODE, IN THIS APPROXIMATE AREA, ON REVERSE SIDE.
- △ ACTION PIN POSTS REQUIRE 1.57[.062] MINIMUM THICK PC BOARD. RECOMMENDED PC BOARD DRILLED HOLES ARE 1.15[.025][.0453±.0010] DIAMETER WITH 0.02-0.08[.001-.003] COPPER AND 0.008[.0003] MINIMUM TIN-LEAD PLATING. FINISHED HOLE AFTER PLATING IS 0.94-1.09[.037-.043] DIAMETER.
- △ CONTACT FINISH: DIN 41612 CLASS 2 IN CONTACT AREA. TIN PLATE ON POSTS.
- △ TAIL LENGTH AFTER SEATING IN PC BOARD.
- △ MARKING ON THIS SIDE.
- △ CONTACT POINT AFTER SEATED IN PC BOARD.



5148059-5
PART NO

THIS DRAWING IS A CONTROLLED DOCUMENT.		REV	DATE	DESCRIPTION	BY	CHKD
REV	DATE	DESCRIPTION	BY	CHKD		
DIMENSIONS (mm INCHES)		UNLESS OTHERWISE SPECIFIED		ASSEMBLY, RECEPTACLE, EUROCARD, TYPE C		
TOLERANCES		DIMENSIONS		18.00[.711] PRESS-FIT		
MATERIALS		SPECIFICATIONS		SEE CUSTOMER DRAWING		
FINISHES		TREATMENTS		SEE CUSTOMER DRAWING		
MARKINGS		PARTS		SEE CUSTOMER DRAWING		
DRAWING NO.		REV		DATE		
A1		00779		05148059		
CUSTOMER DRAWING		SCALE		1:1		