

4

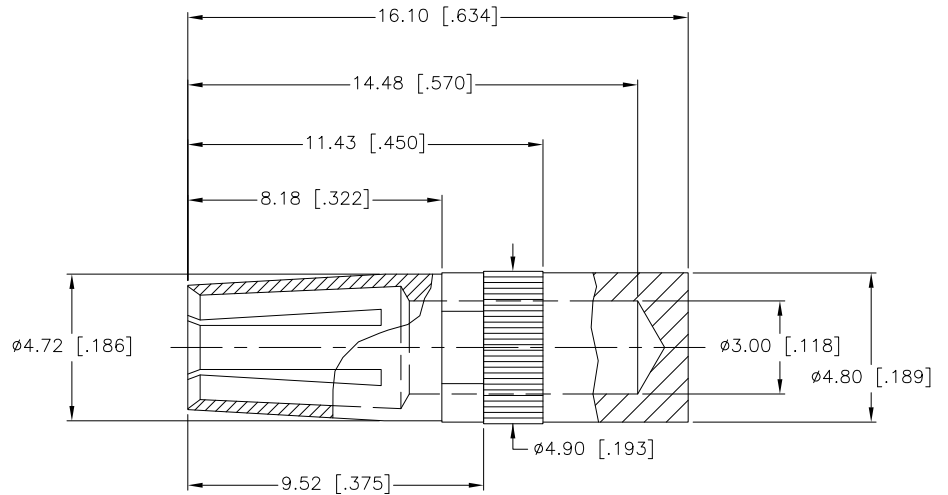
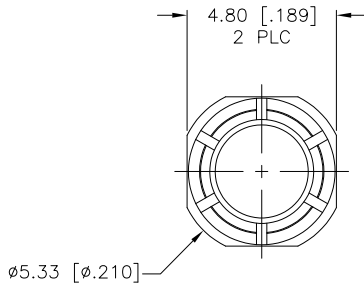
3

2

1

THIS DRAWING IS UNPUBLISHED. RELEASED FOR PUBLICATION
 © COPYRIGHT - BY TYCO ELECTRONICS CORPORATION. ALL RIGHTS RESERVED.

LOC	DIST	REVISIONS			
P	LTR	DESCRIPTION	DATE	DWN	APVD
AD	00				
	A	REV PER EC OS12-0450-04	13JAN05	BC	RP
	A1	REVISED PER ECO-09-023313	12OCT09	KK	AEG



1 CONTACT: BERYLLIUM COPPER

2 OBSOLETE PARTS: OBSOLETE CIS STREAMLINING PER D.RENAUD/D.SINISI

2	OBSOLETE	1.27µm [.000050] MIN GOLD	1	148375-2
		0.76µm [.000030] MIN GOLD	1	148375-1
		FINISH	MATERIAL	PART NUMBER

THIS DRAWING IS A CONTROLLED DOCUMENT.		DWN	Tyco Electronics		Tyco Electronics Corporation	
DIMENSIONS:		L. BRINER	3/3/97	Harrisburg, Pa 17105-3608		
mm	TOLERANCES UNLESS OTHERWISE SPECIFIED:	CHK	3/3/97	NAME		POWER CONTACT, FEMALE BOARD MOUNT, SOLDER
	0 PLC ± -	R. PATTERSON	3/3/97	APVD	R. PATTERSON	RESTRICTED TO
	1 PLC ± -	PRODUCT SPEC		SIZE	A3	00779
	2 PLC ± 0.13 [.005]	APPLICATION SPEC		DRAWING NO	C-148375	
	3 PLC ± -	WEIGHT		CAGE CODE	148375	
	4 PLC ± -	CUSTOMER DRAWING		DRAWING NO	148375	
	ANGLES ± -	SCALE	4:1	SHEET	1	OF 1
MATERIAL	FINISH			REV	A1	
1	SEE TABLE					

AMP 1470-19 REV 31MAR2000