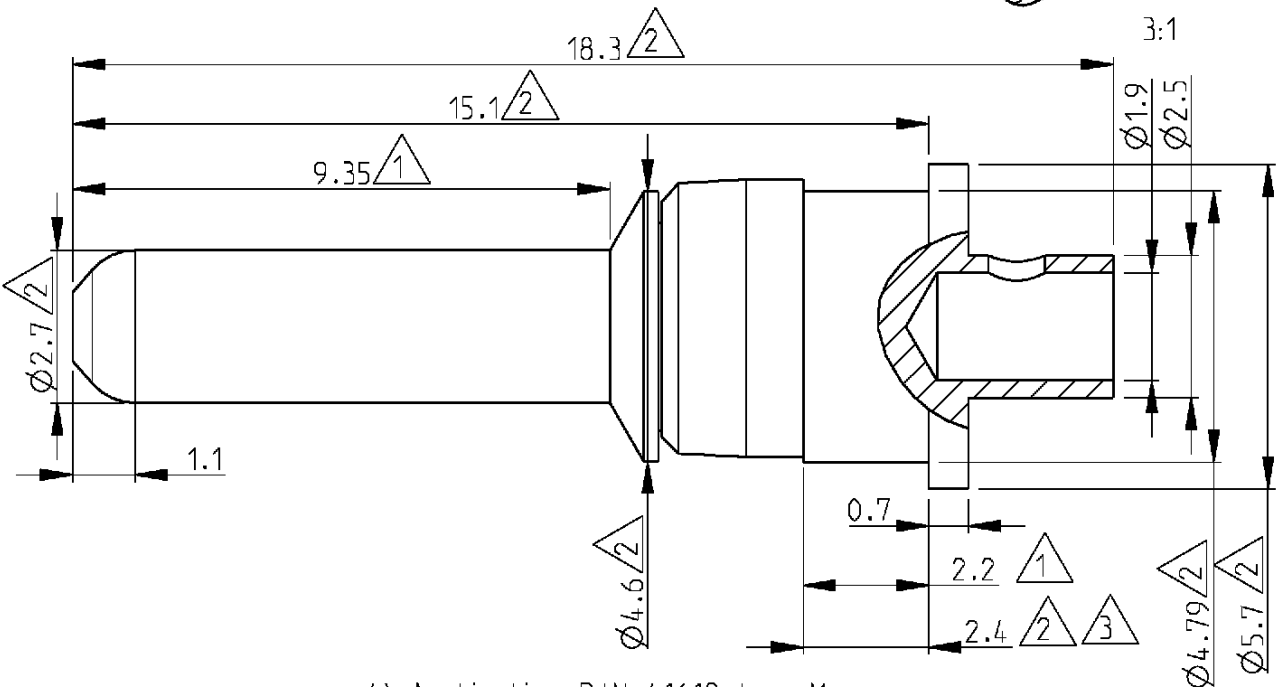
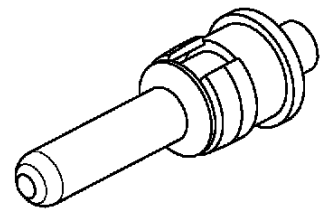


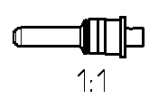
LOC	DIST	REVISIONS					
GW	-	P	LTR	DESCRIPTION	DATE	DWN	APVD
			A1	SR10-0170-01	26APR2001	BL	KM



4) Application DIN 41612 type M

- Measured with spring moved towards the mating face
- Max dimension
- Min dimensions

Cross reference table				
Old part number	Tyco part number	Current	Material	Plating
C42334-A347-A198	3-1393589-5	10 A	Brass	1 µm Au or Pd in contact area



2000
 RELEASED FOR PUBLICATION
 THIS DRAWING IS UNPUBLISHED.
 COPYRIGHT 2000 BY TYCO ELECTRONICS CORPORATION. ALL RIGHTS RESERVED.

DIMENSIONS: mm TOLERANCES UNLESS OTHERWISE SPECIFIED: 0 PLC ± 1 PLC ± 2 PLC ± 3 PLC ± 4 PLC ± ANGLES ±	DWN B. Lenvain 19APR2001	MATERIAL -	FINISH -
	CHK K. Mattheeuws 19APR2001	Tyco Electronics Oostkamp - Belgium	
APVD R. Leeman 19APR2001	NAME Pre-mating high current plug		
PRODUCT SPEC -	APPLICATION SPEC -	SIZE A4	CAGE CODE 00779
WEIGHT -	DRAWING NO C=3-1393589-5	RESTRICTED TO -	CUSTOMER DRAWING
SCALE 8/1		SHEET 1 OF 1	REV A1