

4

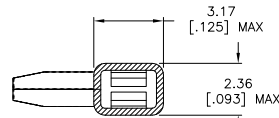
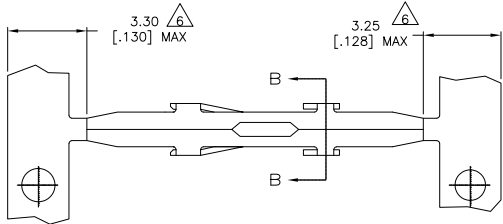
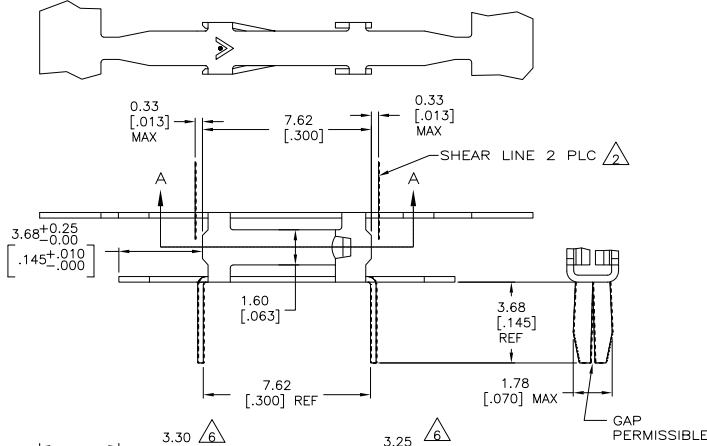
3

2

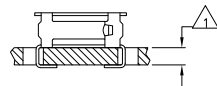
1

THIS DRAWING IS UNPUBLISHED. RELEASED FOR PUBLICATION. BY TYCO ELECTRONICS CORPORATION. ALL RIGHTS RESERVED.

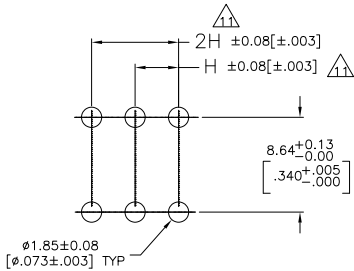
LOC	DIST	REVISIONS		DATE	BY	APP'D
AD	00	F	LN			
		H1	REVISED PER ECO-09-021826	6JUN10	KK	AEG



SECTION B-B

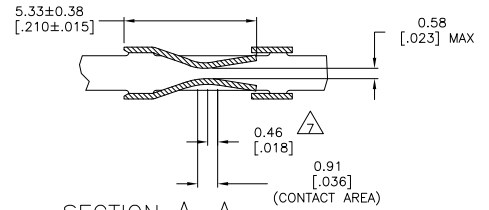


TYPICAL APPLICATION



RECOMMENDED P.C. BOARD LAYOUT

- 1 THICKNESS OF CUSTOMERS P.C. CARD 1.58[.062] OR 1.36[.093]
- 2 CONTACT LEGS SHOWN IN PHANTOM AND SHEAR LINES DEFINE LOOSE PIECE PART.
- 3 0.25[.010] COML. PHOS. BRZ.
- 4 0.00076[.000030] GOLD OVER 0.00127[.000050] NICKEL IN CONTACT AREA AND REMAINDER GOLD FLASH OVER 0.00127[.000050] NICKEL.
- 5 GOLD FLASH OVER 0.00127[.000050] NICKEL, 0.00038[.000015] GOLD ON CONTACT AREA.
- 6 GOLD PLATING NOT REQUIRED IN THIS AREA.
- 7 POINT OF MEASUREMENT FOR PLATING THICKNESS.
- 8 0.00254[.000100] TIN OVER 0.00127[.000050] NICKEL.
- 9 0.00076[.000030] GOLD OVER NICKEL.
- 10 0.00254-0.00508[.000100-.000200] BRIGHT TIN OVER 0.00076-0.00178[.000030-.000070] NICKEL.
- 11 "H" RECEPTACLE CENTERS MAY VARY DEPENDING ON REQUIREMENTS. MINIMUM NOMINAL CENTERLINE SPACING BETWEEN ADJACENT RECEPTACLES IS 3.18[.125].
- 12 0.00200 [.000079] MIN TIN.
- 13 OBSOLETE PARTS: OBSOLETE CIS STREAMLINING PER D.RENAUD/D.SINISI



SECTION A-A

OBSOLETE	86434-7	1	1	86432-9
OBSOLETE	86434-6	4	4	86432-8
OBSOLETE	86434-5	8	8	86432-5
OBSOLETE	86434-4	9	9	86432-4
OBSOLETE	86434-3	10	10	86432-3
OBSOLETE	86434-2	11	11	86432-2
	86434-1	12	12	86432-1
	LOOSE PIECE PART NO.	FINISH	MATERIAL	PART NUMBER

DIMENSIONS		TOLERANCES UNLESS OTHERWISE SPECIFIED		TYCO ELECTRONICS	
mm	[INCHES]	0 PLC	±	FIN	TYCO ELECTRONICS
		1 PLC	±	FIN	TYCO ELECTRONICS
		2 PLC	±	FIN	TYCO ELECTRONICS
		3 PLC	±	FIN	TYCO ELECTRONICS
		4 PLC	±	FIN	TYCO ELECTRONICS
		ANGLES	±	FIN	TYCO ELECTRONICS
MATERIAL	SEE TABLE	FINISH	SEE TABLE	SIZE	ONE CODE (DRAWING NO)
				A2	00779
				C=	86432
				SCALE	8:1
				SHEET	1 OF 1
				REV	H1

AMP 1471-9 REV 31MM2000

86432

A