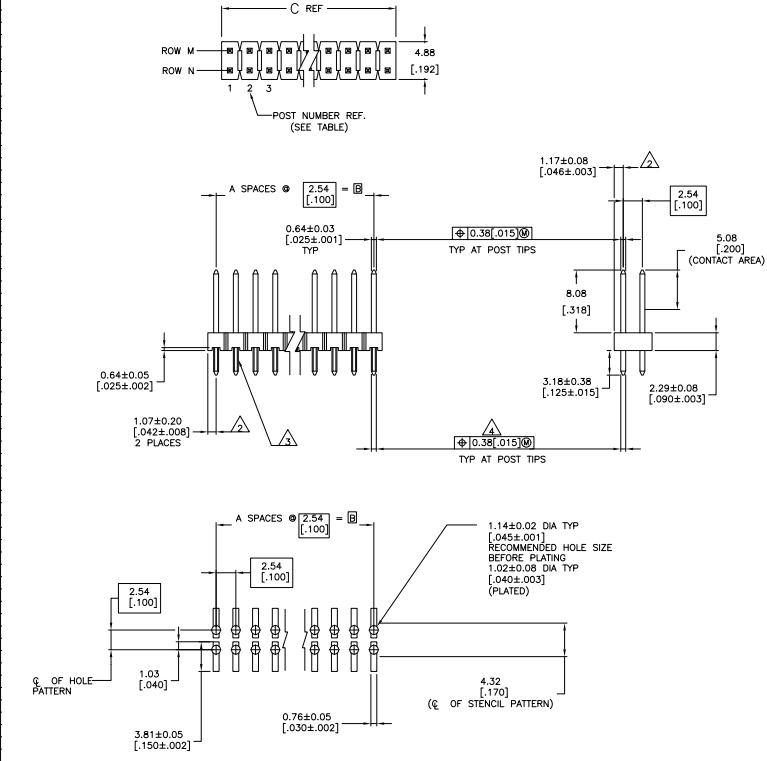


THIS DRAWING IS UNCLASSIFIED
 UNLESS INDICATED OTHERWISE
 ALL RIGHTS RESERVED



RECOMMENDED PC BOARD MOUNTING DIMENSIONS
 FOR .063[1.60] THICK PC BOARD AND
 .012[.305] STENCIL THICK

- TRUE POSITION TOLERANCE OF THE POST TIPS APPLIES WHEN THE HEADER IS HELD FLAT AGAINST THE PRINTED CIRCUIT BOARD.
- THE NOTED DIMENSIONS APPLY AT THE INTERSECTION OF THE POST AND HOUSING.
- RETENTION FEATURES ON SOLDER TAILS, LOCATED AT MANUFACTURERS OPTION.
- Ø[0.51][0.020] FOR KINKED TAILS.
- HOUSING: LCP, COLOR-BLACK, POST: PHOSPHOR BRONZE.
- 0.000127 [0.000005] GOLD IN CONTACT AREA, 0.00254-0.00508 [0.000100-0.000200] MATTE TIN-LEAD ON SOLDER TAIL, ALL OVER 0.00127 [0.000050] NICKEL.
- 0.000127 [0.000005] GOLD IN CONTACT AREA, 0.00254-0.00508 [0.000100-0.000200] MATTE TIN ON SOLDER TAIL, ALL OVER 0.00127 [0.000050] NICKEL.
- OBsolete PARTS: OBsolete CIS STREAMLINING PER D.RENAUD/D.SINIS

REV	DATE	BY	CHK	APP	DESCRIPTION	REV	DATE	BY	CHK	APP	DESCRIPTION
AD	00					AD	00				
					REVISED PER EDO-10-000443						

PLATING	C	B	A	NO. OF POSITIONS	PART NUMBER	PLATING	C	B	A	NO. OF POSITIONS	PART NUMBER
△	101.19	99.06	39	80	9-146264-0	△	101.19	99.06	39	80	4-146264-0
△	98.65	96.52	38	78	8-146264-9	△	98.65	96.52	38	78	8-146264-9
△	96.11	93.98	37	76	8-146264-8	△	96.11	93.98	37	76	8-146264-8
△	93.57	91.44	36	74	8-146264-7	△	93.57	91.44	36	74	8-146264-7
△	91.03	88.90	35	72	8-146264-6	△	91.03	88.90	35	72	8-146264-6
△	88.49	86.36	34	70	8-146264-5	△	88.49	86.36	34	70	8-146264-5
△	85.95	83.82	33	68	8-146264-4	△	85.95	83.82	33	68	8-146264-4
△	83.41	81.28	32	66	8-146264-3	△	83.41	81.28	32	66	8-146264-3
△	80.87	78.74	31	64	8-146264-2	△	80.87	78.74	31	64	8-146264-2
△	78.33	76.20	30	62	8-146264-1	△	78.33	76.20	30	62	8-146264-1
△	75.79	73.66	29	60	8-146264-0	△	75.79	73.66	29	60	8-146264-0
△	73.25	71.12	28	58	7-146264-9	△	73.25	71.12	28	58	7-146264-9
△	70.71	68.58	27	56	7-146264-8	△	70.71	68.58	27	56	7-146264-8
△	68.17	66.04	26	54	7-146264-7	△	68.17	66.04	26	54	7-146264-7
△	65.63	63.50	25	52	7-146264-6	△	65.63	63.50	25	52	7-146264-6
△	63.09	60.96	24	50	7-146264-5	△	63.09	60.96	24	50	7-146264-5
△	60.55	58.42	23	48	7-146264-4	△	60.55	58.42	23	48	7-146264-4
△	58.01	55.88	22	46	7-146264-3	△	58.01	55.88	22	46	7-146264-3
△	55.47	53.34	21	44	7-146264-2	△	55.47	53.34	21	44	7-146264-2
△	52.93	50.80	20	42	7-146264-1	△	52.93	50.80	20	42	7-146264-1
△	50.39	48.26	19	40	7-146264-0	△	50.39	48.26	19	40	7-146264-0
△	47.85	45.72	18	38	6-146264-9	△	47.85	45.72	18	38	6-146264-9
△	45.31	43.18	17	36	6-146264-8	△	45.31	43.18	17	36	6-146264-8
△	42.77	40.64	16	34	6-146264-7	△	42.77	40.64	16	34	6-146264-7
△	40.23	38.10	15	32	6-146264-6	△	40.23	38.10	15	32	6-146264-6
△	37.69	35.56	14	30	6-146264-5	△	37.69	35.56	14	30	6-146264-5
△	35.15	33.02	13	28	6-146264-4	△	35.15	33.02	13	28	6-146264-4
△	32.61	30.48	12	26	6-146264-3	△	32.61	30.48	12	26	6-146264-3
△	30.07	27.94	11	24	6-146264-2	△	30.07	27.94	11	24	6-146264-2
△	27.53	25.40	10	22	6-146264-1	△	27.53	25.40	10	22	6-146264-1
△	24.99	22.86	9	20	6-146264-0	△	24.99	22.86	9	20	6-146264-0
△	22.45	20.32	8	18	5-146264-9	△	22.45	20.32	8	18	5-146264-9
△	19.91	17.78	7	16	5-146264-8	△	19.91	17.78	7	16	5-146264-8
△	17.37	15.24	6	14	5-146264-7	△	17.37	15.24	6	14	5-146264-7
△	14.83	12.70	5	12	5-146264-6	△	14.83	12.70	5	12	5-146264-6
△	12.29	10.16	4	10	5-146264-5	△	12.29	10.16	4	10	5-146264-5
△	9.75	7.62	3	8	5-146264-4	△	9.75	7.62	3	8	5-146264-4
△	7.21	5.08	2	6	5-146264-3	△	7.21	5.08	2	6	5-146264-3
△	4.67	2.54	1	4	5-146264-2	△	4.67	2.54	1	4	5-146264-2
△	2.13	0.00	-	2	5-146264-1	△	2.13	0.00	-	2	5-146264-1

THIS DRAWING IS A CONTROLLED DOCUMENT.

REVISIONS:

REV	DATE	BY	CHK	APP	DESCRIPTION
AD	00				

DATE: 10/07/79

CUSTOMER DRAWING: 146264

SCALE: 4:1