

4

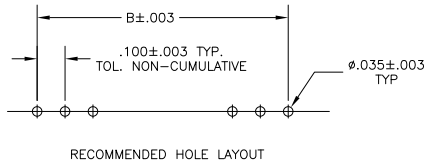
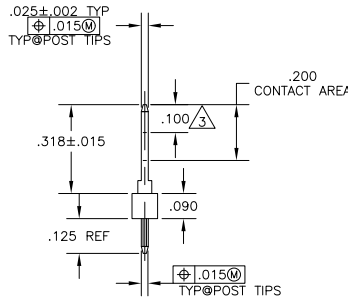
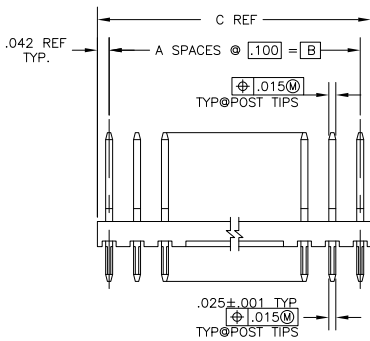
3

2

1

THIS DRAWING IS UNPUBLISHED. RELEASED FOR PUBLICATION. ALL RIGHTS RESERVED.

LOC	DIST	REVISIONS		
P	LTR	DESCRIPTION	DATE	BY
AD	39	L2	REVISED PER ECO-11-004587	11MAR11 RK HMR



- 1 TRUE POSITION TOLERANCE OF POST TIPS APPLIES WHEN HEADERS ARE HELD FLAT AGAINST PC BOARD.
- 2 .000015 GOLD IN CONTACT AREA, GOLD FLASH ON SOLDER AREA, ALL OVER .000050 NICKEL.
- 3 POINT OF MEASUREMENT FOR PLATING THICKNESS.
- 4 PARTS PACKAGED IN SINGLE TUBES.
- 5 HOUSING: FLAME RETARDANT THERMOPLASTIC, COLOR-BLACK POST: PHOS.BRONZE.
- 6 OBSOLETE PARTS: OBSOLETE CIS STREAMLINING PER D.RENAUD/D.SINISI

REV	DESCRIPTION	DATE	BY	APPD		
4	OBSOLETE	.284	.200	2	3	4-87224-3
		3.984	3.900	39	40	4-87224-0
		3.884	3.800	38	39	3-87224-9
		3.784	3.700	37	38	3-87224-8
		3.684	3.600	36	37	3-87224-7
		3.584	3.500	35	36	3-87224-6
		3.484	3.400	34	35	3-87224-5
		3.384	3.300	33	34	3-87224-4
		3.284	3.200	32	33	3-87224-3
		3.184	3.100	31	32	3-87224-2
		3.084	3.000	30	31	3-87224-1
		2.984	2.900	29	30	3-87224-0
		2.884	2.800	28	29	2-87224-9
		2.784	2.700	27	28	2-87224-8
		2.684	2.600	26	27	2-87224-7
		2.584	2.500	25	26	2-87224-6
		2.484	2.400	24	25	2-87224-5
		2.384	2.300	23	24	2-87224-4
		2.284	2.200	22	23	2-87224-3
		2.184	2.100	21	22	2-87224-2
		2.084	2.000	20	21	2-87224-1
		1.984	1.900	19	20	2-87224-0
		1.884	1.800	18	19	1-87224-9
		1.784	1.700	17	18	1-87224-8
		1.684	1.600	16	17	1-87224-7
		1.584	1.500	15	16	1-87224-6
		1.484	1.400	14	15	1-87224-5
		1.384	1.300	13	14	1-87224-4
		1.284	1.200	12	13	1-87224-3
		1.184	1.100	11	12	1-87224-2
		1.084	1.000	10	11	1-87224-1
		.984	.900	9	10	1-87224-0
		.884	.800	8	9	87224-9
		.784	.700	7	8	87224-8
		.684	.600	6	7	87224-7
		.584	.500	5	6	87224-6
		.484	.400	4	5	87224-5
		.384	.300	3	4	87224-4
		.284	.200	2	3	87224-3
		.184	.100	1	2	87224-2
		.084	-	-	1	87224-1
		C	B	A	NO OF POS	PART NO

THIS DRAWING IS A CONTROLLED DOCUMENT. DR: SACHAVENDRA 24FEB09  
 CK: GSEFORD JEFFREY 24FEB09  
 APP: GSEFORD JEFFREY 24FEB09  
 PRODUCT SPEC: -  
 APPLICATION SPEC: -  
 WEIGHT: -  
 MATERIAL: -  
 FINISH: -

TE Connectivity  
 HEADER ASSY MOD II, .025 SQ POST, SINGLE ROW, 100 C/L, STACKABLE

SIZE: A2 CASE CODE: 00779 DRAWING NO: C-87224  
 RESTRICTED TO: -  
 CUSTOMER DRAWING SCALE: 4:1 SHEET: 1 of 1 REV: L2

87224

A