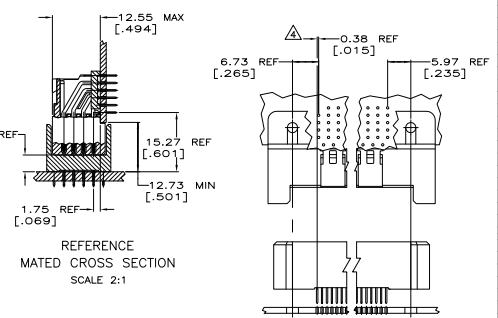
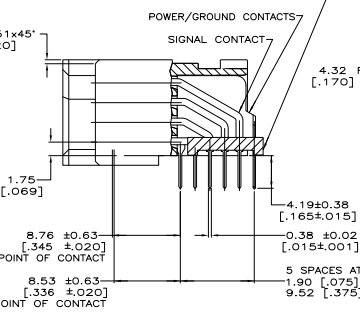
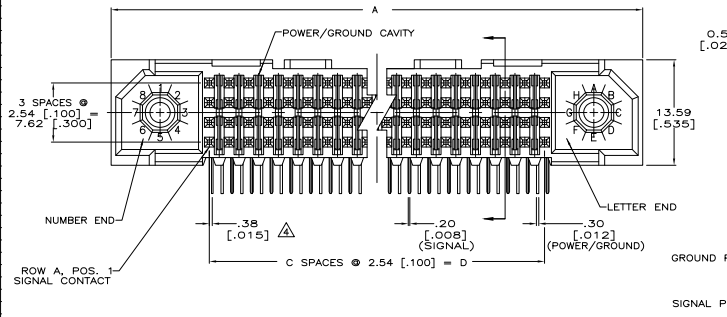
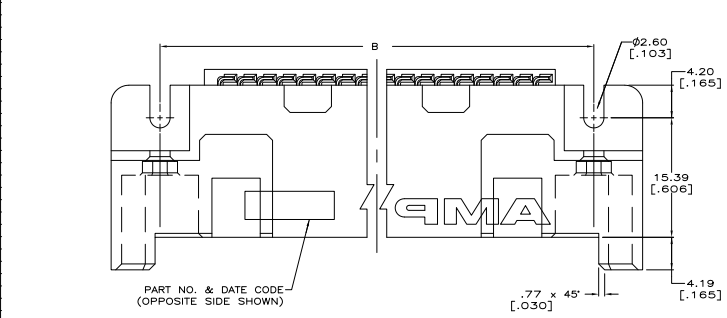
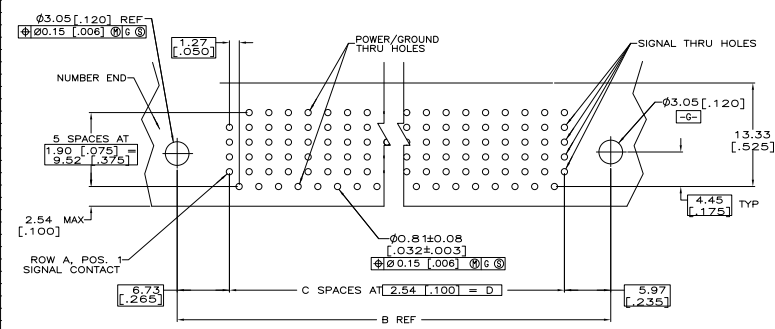


THIS DRAWING IS UNAPPROVED FOR PRODUCTION  
 ALL RIGHTS RESERVED

REV	DATE	DESCRIPTION	BY	CHK	APP
AD	00				
02		REVISED PER EDD-11-022794			



- △ HOUSING AND ORGANIZER MATERIAL: LIQUID CRYSTAL POLYMER, COLOR, BLACK
- △ SIGNAL AND GROUND PLANE CONTACT MATERIAL: PHOSPHOR BRONZE
- △ CONTACT FINISH: 0.00127 (0.00050) MIN. NICKEL UNDERPLATE PER SAE-AMS-QQ-N-290, GOLD FLASH PER ASTM B 488 OVER 0.00076 (0.00030) MIN. PALLADIUM-NICKEL ON CONTACT AREA, 0.00254 (0.00100) MIN MATTE TIN PER ASTM B 545 ON CONTACT TAILS.
- △ RECEPTACLE ASSEMBLY SOLDER LEADS ARE OFFSET .015 TOWARD THE LETTER END OF THE CAVITY CENTERLINE. THE PIN ASSEMBLY SOLDER LEADS ARE IN LINE WITH THE CAVITY CENTERLINE.
- △ OBSOLETE PARTS: OBSOLETE CIS STREAMLINING PER D.RENAUD/D.SINISI



RECOMMENDED CIRCUIT PATTERN  
 PER ANSI/IPC-D-300 TYPE II, CLASS C  
 (COMPONENT SIDE)

	99.06 [3.900]	39	111.76 [4.400]	124.36 [4.896]	160	5646243-8
△ OBSOLETE	175.26 [6.900]	69	187.96 [7.400]	200.56 [7.896]	280	5646243-7
	149.86 [5.900]	59	162.56 [6.400]	175.16 [6.896]	240	5646243-6
	137.16 [5.400]	54	149.86 [5.900]	162.46 [6.396]	220	5646243-5
△ OBSOLETE	111.76 [4.400]	44	124.46 [4.900]	137.06 [5.396]	180	5646243-4
	86.36 [3.400]	34	99.06 [3.900]	111.66 [4.396]	140	5646243-3
△ OBSOLETE	60.96 [2.400]	24	73.66 [2.900]	86.26 [3.396]	100	5646243-2
△ OBSOLETE	35.56 [1.400]	14	48.26 [1.900]	60.86 [2.396]	60	5646243-1

THIS DRAWING IS A CONTROLLED DOCUMENT. IN CHARGE: TSV/VAI  
 DATE: 10/20/00  
 PROJECT: 108-1244  
 PROJECT FILE: 108-1244  
 OPERATOR: JPC  
 SIZE: 114-1065  
 DATE: 11/14/05  
 DRAWING NO: A100779  
 CUSTOMER DRAWING: G=5646243

TE Connectivity  
 Z-PACK Stripline 100 RECEPTACLE ASSEMBLY, INTEGRAL, 4.19 [0.165] SOLDER LEAD LENGTH

REVISIONS: 1, 2, 3, 4, 5, 6, 7, 8, 9, 10, 11, 12, 13, 14, 15, 16, 17, 18, 19, 20, 21, 22, 23, 24, 25, 26, 27, 28, 29, 30, 31, 32, 33, 34, 35, 36, 37, 38, 39, 40, 41, 42, 43, 44, 45, 46, 47, 48, 49, 50, 51, 52, 53, 54, 55, 56, 57, 58, 59, 60, 61, 62, 63, 64, 65, 66, 67, 68, 69, 70, 71, 72, 73, 74, 75, 76, 77, 78, 79, 80, 81, 82, 83, 84, 85, 86, 87, 88, 89, 90, 91, 92, 93, 94, 95, 96, 97, 98, 99, 100