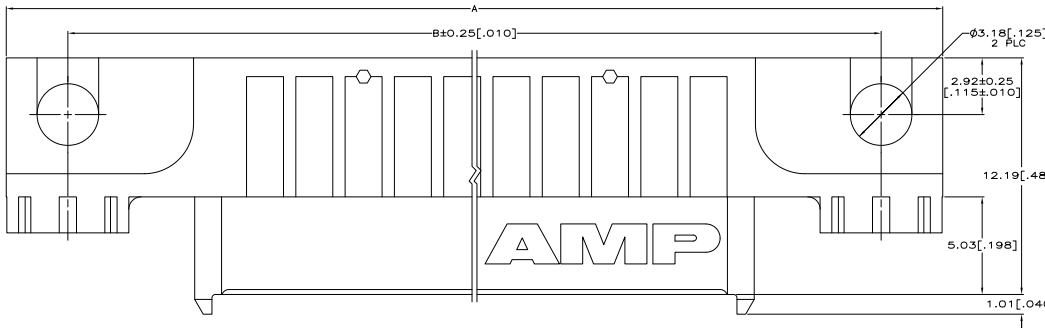
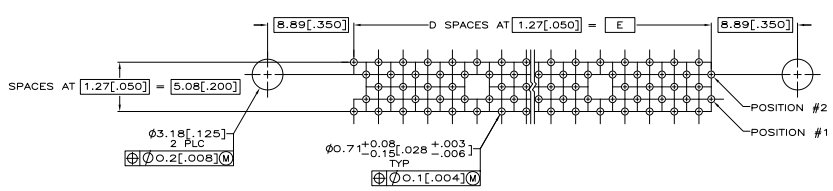
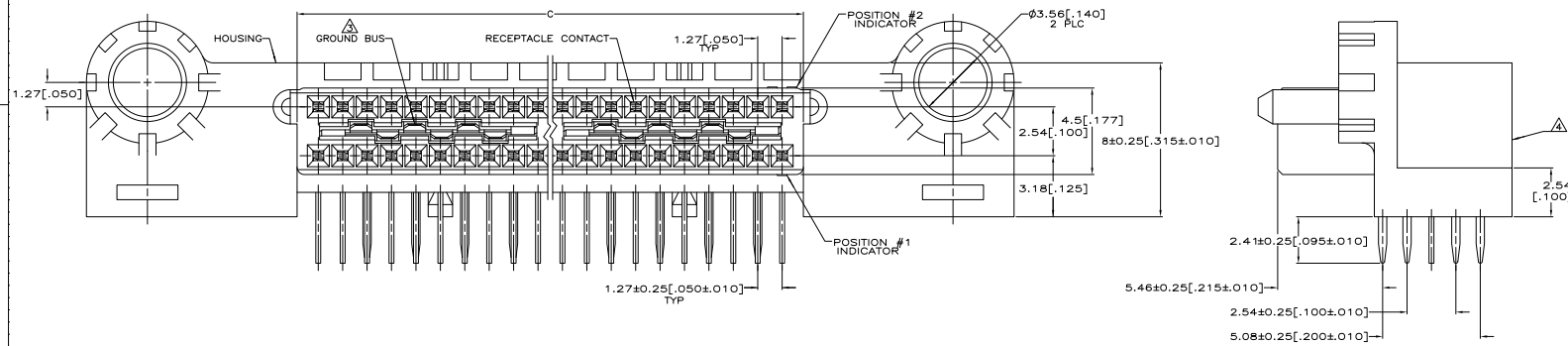


THIS DRAWING IS UNPUBLISHED. ALL RIGHTS RESERVED.

REV	DATE	DESCRIPTION	BY	CHK	APP
AD 47	7/24/02				
	02	REVISED PER ECO-07-01465			



- ▲ MOLDED PARTS: HIGH TEMPERATURE THERMOPLASTIC, COLOR NATURAL. RECEPTACLE CONTACTS: PHOSPHOR BRONZE. GROUND BUSES: PHOSPHOR BRONZE.
- ▲ CONTACTS & GROUND BUSES: 0.00076(.00030) MIN. GOLD PER ASTM B 488 ON CONTACT AREA. 0.00254-0.00762(.000100-0.000300) MATTE TIN PER ASTM B 545 ON SOLDER TAIL, ALL OVER 0.00127-0.00254(.000050-0.00100) MATTE NICKEL PER SAE AMS-QQ-N-290 ON ENTIRE CONTACT.
- ▲ ONE GROUND BUS WITH 4 TAILS PER EACH 20 RECEPTACLE CONTACTS.
- ▲ ASSEMBLIES 140 POSITIONS OR SMALLER HAVE A ONE PIECE ORGANIZER. ASSEMBLIES 160 POSITIONS OR LARGER HAVE MULTIPLE ORGANIZERS OF 40 AND/OR 60 POSITIONS.



	E	D	C	B	A	NO OF POS	PART NUMBER
	24.13 [950]	19	26.34 [1.037]	41.91 [1.650]	48.26 [1.900]	40	5536296-9
	151.13 [5.950]	119	153.34 [6.037]	168.91 [6.650]	175.26 [6.900]	240	5536296-8
OBSOLETE	125.73 [4.950]	99	127.94 [5.037]	143.51 [5.650]	149.86 [5.900]	200	5536296-6
OBSOLETE	100.33 [3.950]	79	102.54 [4.037]	118.11 [4.650]	124.46 [4.900]	160	5536296-4
	87.63 [3.450]	69	89.84 [3.537]	105.41 [4.150]	111.76 [4.400]	140	5536296-3

THIS DRAWING IS A CONTROLLED DOCUMENT.

DATE	01-11-99	BY	J. B. C.
REV	01-11-99	CHK	J. B. C.
REV	01-11-99	APP	J. B. C.
REV	01-11-99	DATE	01-11-99

Part Number: 5536296-9
 Type: Receptacle
 Description: RECEPTACLE ASSEMBLY WITH GUIDES, RIGHT ANGLE, 2-1(.095) TAIL, BOARD TO BOARD, MICRO-STRIP

DATE: 01-11-99
 DRAWN BY: A100779
 CHECKED BY: C=5536296

CUSTOMER DRAWING