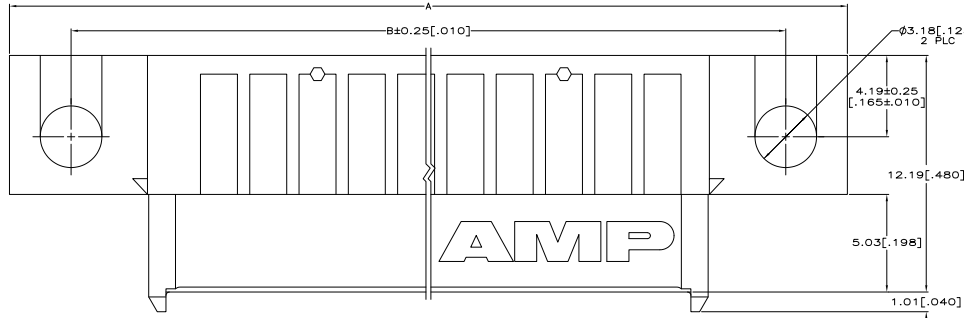
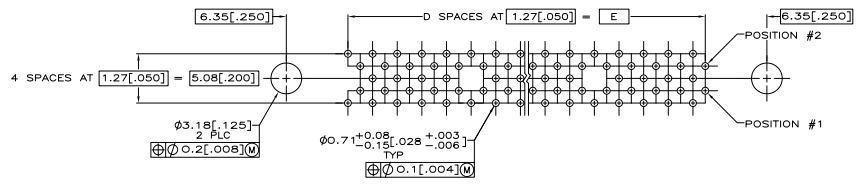
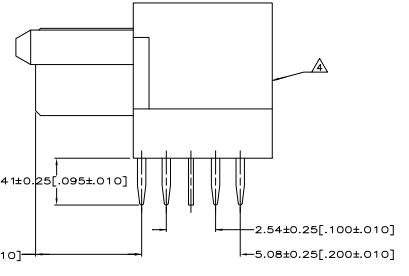
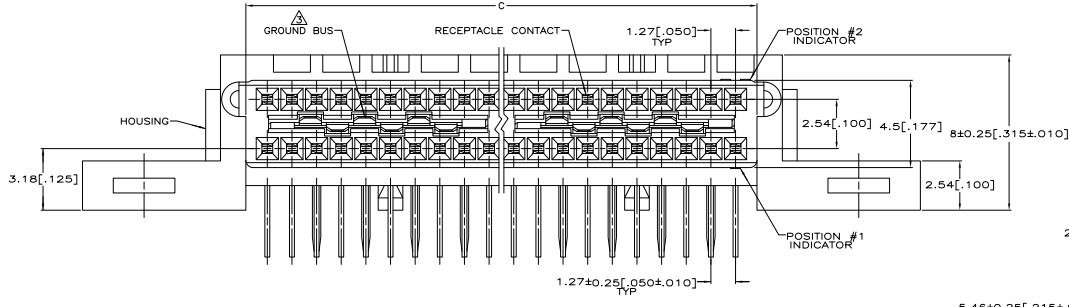


THIS DRAWING IS UNPUBLISHED  
 UNLESS INDICATED OTHERWISE  
 © AMP, INC. ALL RIGHTS RESERVED

REV	DATE	DESCRIPTION	BY	CHKD
AD 47				
02		REVISED FOR ECO-07-01465		



- ⚠ MOLDED PARTS: HIGH TEMPERATURE THERMOPLASTIC, COLOR NATURAL.
- RECEPTACLE CONTACTS: PHOSPHOR BRONZE.
- GROUND BUSES: PHOSPHOR BRONZE.
- ⚠ CONTACTS & GROUND BUSES: 0.00076(0.00030) MIN. GOLD PER ASTM B 488 ON CONTACT AREA; 0.00254-0.00762(0.00100-0.000300) MATTE TIN PER ASTM B 545 ON SOLDER TAIL; ALL OVER 0.00127-0.00254(0.00050-0.00100) MATTE NICKEL PER SAE AMS-QQ-N-290 ON ENTIRE CONTACT.
- ⚠ ONE GROUND BUS WITH 4 TAILS PER EACH 20 RECEPTACLE CONTACTS.
- ⚠ ASSEMBLIES 140 POSITIONS OR SMALLER HAVE A ONE PIECE ORGANIZER. ASSEMBLIES 160 POSITIONS OR LARGER HAVE MULTIPLE ORGANIZERS OF 40 AND/OR 60 POSITIONS.



POS	NO OF POS	PART NUMBER
125.73	4.950	99
100.33	3.950	79
74.93	2.950	59
62.23	2.450	49
49.53	1.950	39
36.83	1.450	29
24.13	0.950	19

REV	DATE	DESCRIPTION	BY	CHKD
AD 47				
02		REVISED FOR ECO-07-01465		

AMP 480 REV 2/1988  
 104P2008 40272239