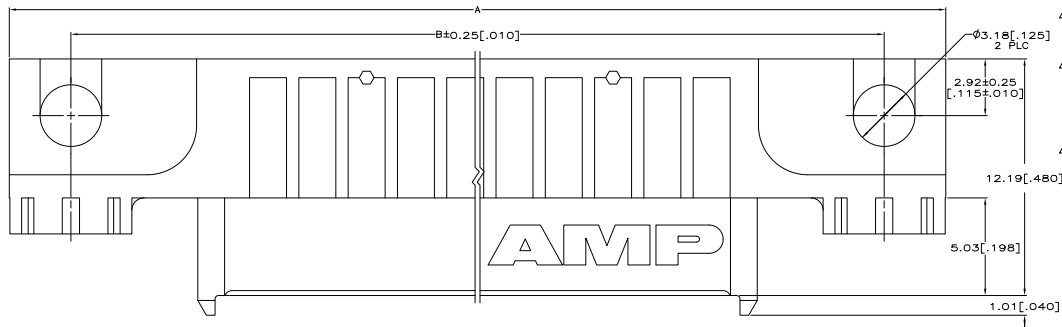
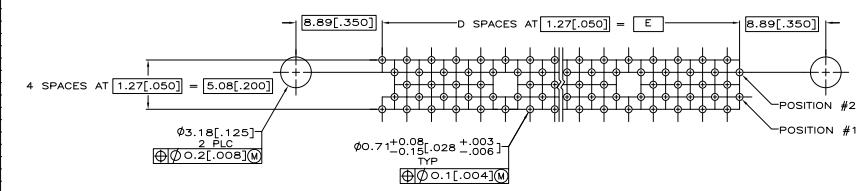
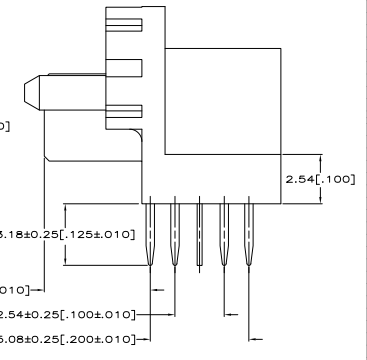
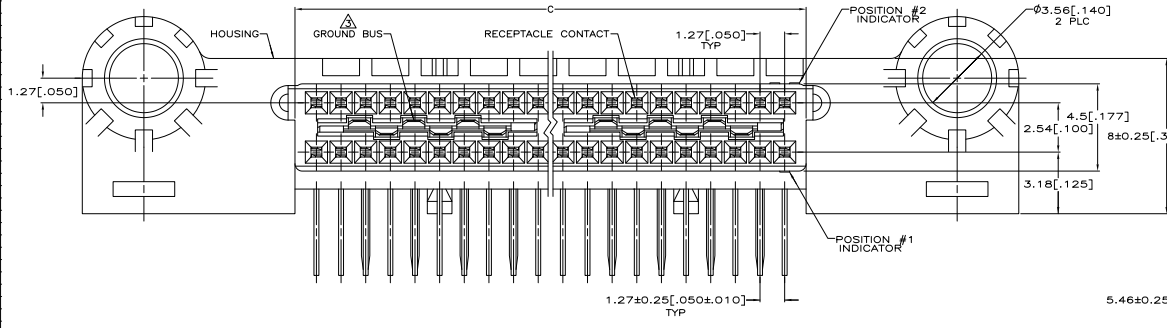


REV	DATE	DESCRIPTION	BY	CHK	APP
AD	47				
02		REVISED PER ECO-07-02465			



- MOLDED PARTS: HIGH TEMPERATURE THERMOPLASTIC, COLOR NATURAL. RECEPTACLE CONTACTS: PHOSPHOR BRONZE. GROUND BUSES: PHOSPHOR BRONZE.
- CONTACTS & GROUND BUSES: 0.00076(0.00030) MIN. GOLD PER ASTM B 488 ON CONTACT AREA, 0.00254-0.00762(0.00100-0.00300) MATTE TIN PER ASTM B 545 ON SOLDER TAIL, ALL OVER 0.00127-0.00254(0.00050-0.00100) MATTE NICKEL PER SAE AMS-QQ-N-290 ON ENTIRE CONTACT.
- ONE GROUND BUS WITH 4 TAILS PER EACH 20 RECEPTACLE CONTACTS.



RECOMMENDED PC BOARD HOLE LAYOUT
 (VIEWED FROM CONNECTOR SIDE)

OBSOLETE		151.13 [5.950]	119	153.34 [6.037]	118.91 [6.650]	175.26 [6.900]	240	5149031-2
		100.33 [3.950]	79	102.54 [4.037]	118.11 [4.650]	124.46 [4.900]	160	5149031-1
		E	D	C	B	A	NO OF POS	PART NUMBER
THIS DRAWING IS A CONTROLLED DOCUMENT.								
DRAWING NO. (SEE INDEX)		REV. NO. (SEE INDEX)		DATE		REVISIONS		
108-1272		114-11005		A1		00779 5149031		
CUSTOMER DRAWING		DATE		REV		1 1 02		