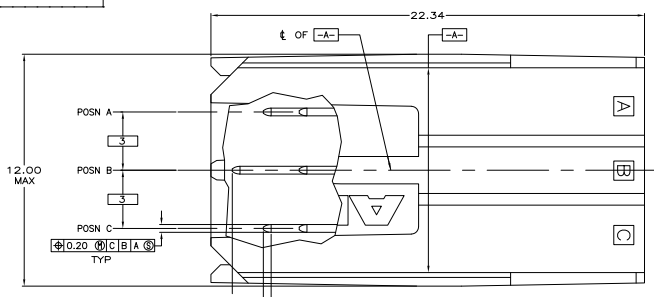
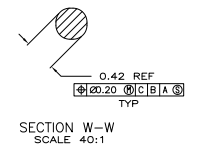
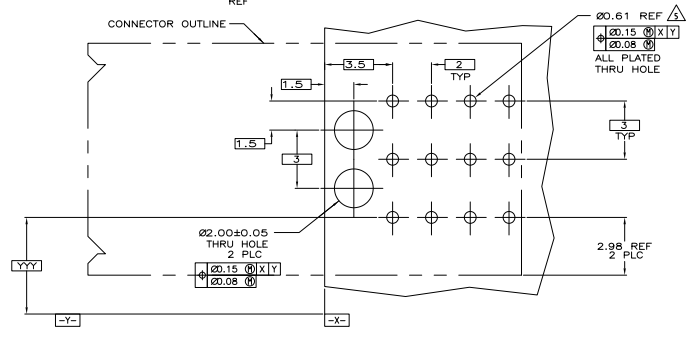
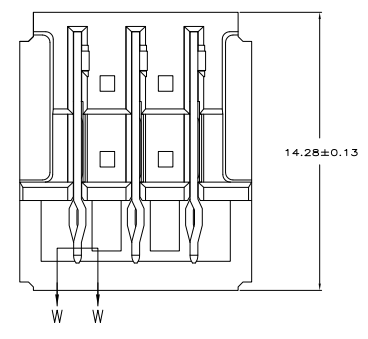
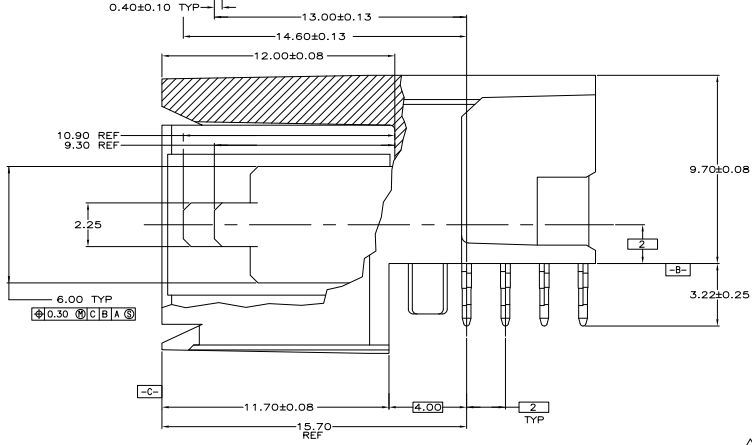
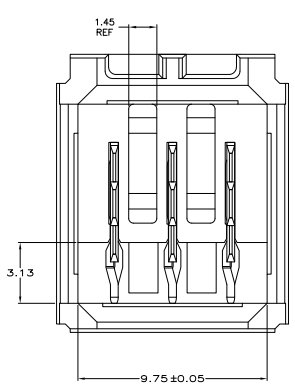


REV	DATE	DESCRIPTION	BY	CHK	APP
AD 00					
F		REVISED PER EDD-11-00246	06AM11	DH	DY



- △ MATERIAL: HOUSING: POLYESTER; COLOR: GREY. UL 94V-0. CONTACT: PHOSPHOR BRONZE.
- △ FINISH: CONTACT MATING AREA: 1.27µm MIN GOLD OR 0.08µm MIN GOLD OVER 0.76µm MIN PALLADIUM-NICKEL. ACTION PIN AREA: 0.5µm MIN TIN LEAD PLATE. ALL OVER 1.27µm MIN NICKEL UNDERPLATE.
- △ FINISH: CONTACT LUBRICATION WITH BELLCORE APPROVED LUBRICANT. TECHNICAL REFERENCE: TR-NWT-001217 ISSUE 1, SEPT 1992.
- △ RESTRICTED PART NUMBER, CONTACT ENGINEERING.
- △ REFERENCE APPLICATION SPEC 114-1103 FOR RECOMMENDED PLATED THRU HOLE DIAMETER AND PLATING THICKNESSES.
- 6 CURRENT RATING 10A/CONTACT PER PRODUCT SPEC 108-1651.



223987-8
223987-1
PART NUMBER

THIS DRAWING IS A CONTROLLED DOCUMENT.		T. SHEY		T. SHEY		T. SHEY	
DESIGNED BY		CHECKED BY		DRAWN BY		DATE	
R. PATTERSON		R. PATTERSON		R. PATTERSON		12-88	
PROJECT		PROJECT		PROJECT		PROJECT	
ASSEMBLY, RIGHT ANGLE HEADER, W/ RETENTION PEGS, UNIVERSAL POWER MODULE		ASSEMBLY, RIGHT ANGLE HEADER, W/ RETENTION PEGS, UNIVERSAL POWER MODULE		ASSEMBLY, RIGHT ANGLE HEADER, W/ RETENTION PEGS, UNIVERSAL POWER MODULE		ASSEMBLY, RIGHT ANGLE HEADER, W/ RETENTION PEGS, UNIVERSAL POWER MODULE	
SIZE		DATE		DRAWING NO		REVISED TO	
A1		00779		223987		REVISED TO	
CUSTOMER DRAWING		DATE		REVISED TO		REVISED TO	
		10-1		1		F	

RECOMMENDED PCB HOLE LAYOUT