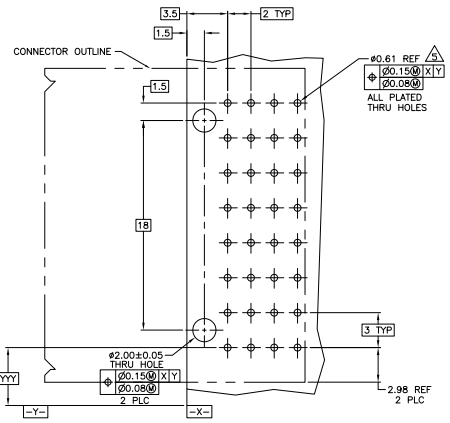
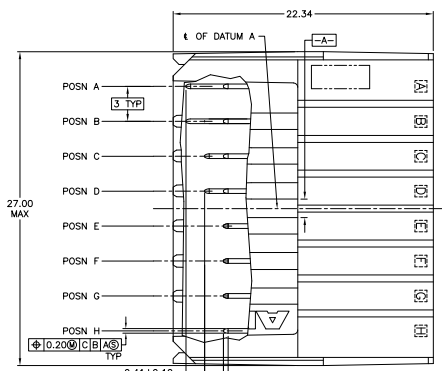


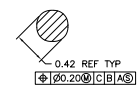
REV	DATE	DESCRIPTION	BY	CHK	APP
AD 00					
E		REVISED PER EDD-11-00046	DAW11	DH	DY



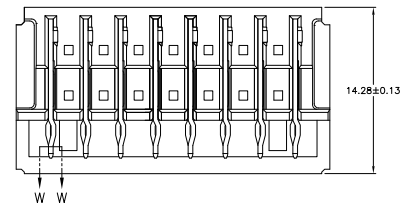
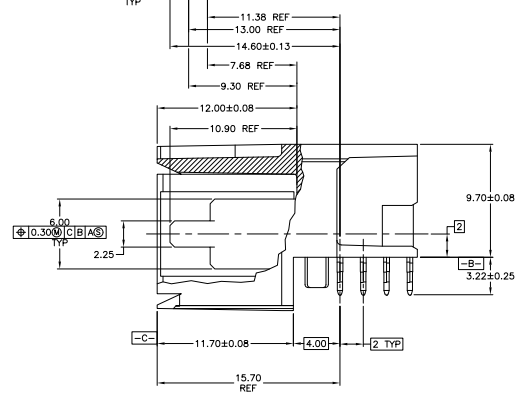
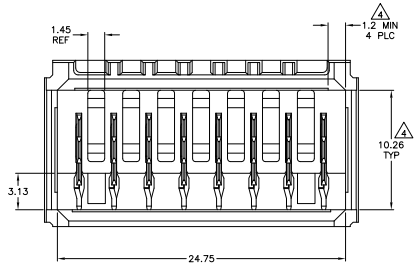
RECOMMENDED PCB HOLE LAYOUT



- △ MATERIAL: HOUSING: POLYESTER, GRAY, UL 94V-0. CONTACT: HIGH CURRENT COPPER ALLOY.
- △ FINISH: CONTACT MATING AREA: 1.27µm MIN GOLD OR 0.08µm MIN GOLD OVER 0.76µm MIN PALLADIUM-NICKEL. ACTION PIN AREA: 0.5µm MIN MATTE TIN PLATE, ALL OVER 1.27µm MIN NICKEL UNDERPLATE.
- △ FINISH: CONTACT LUBRICATION WITH BELLCORE APPROVED LUBRICANT. TECHNICAL REFERENCE: GR-1217-CORE, ISSUE 1, NOVEMBER 1995.
- △ THE 10.26±0.13 DIMENSION APPLIES IN THIS AREA.
- △ REFERENCE APPLICATION SPEC 114-1103 FOR RECOMMENDED PLATED THRU HOLE DIAMETER AND PLATING THICKNESSES.
- 6. CURRENT RATING 16A/CONTACT PER PRODUCT SPEC 108-1651.



SECTION W-W
SCALE 40:1



A	B	C,D,E,F,G,H	Ø	120958-2
A,B,C,D,E,F,G,H			Ø	120958-1
POSITIONS LOADED WITH 10.90 REF CONTACTS	POSITIONS LOADED WITH 9.30 REF CONTACTS	POSITIONS LOADED WITH 7.68 REF CONTACTS	NO OF LOADED POSITIONS	PART NUMBER

THIS DRAWING IS A CONTROLLED DOCUMENT. TTI ELECTRONICS CORPORATION, HARRISBURG, PA 17105-3608

DESIGNED BY: J. PATTERSON
 CHECKED BY: J. PATTERSON
 DATE: 11/05/05
 DRAWING NO: 100779
 PART NO: 120958

ASSEMBLY, RIGHT ANGLE HEADER, W/ RETENTION PEGS, UNIVERSAL POWER MODULE

CUSTOMER DRAWING