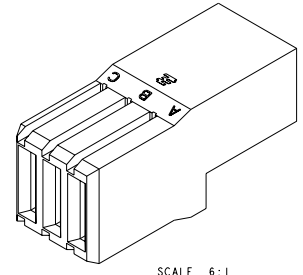
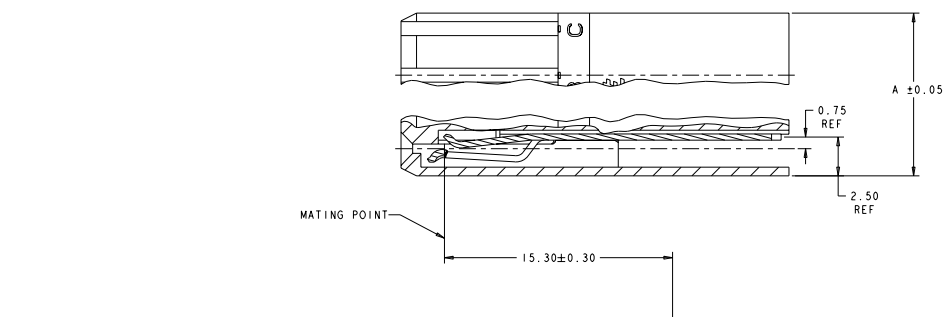
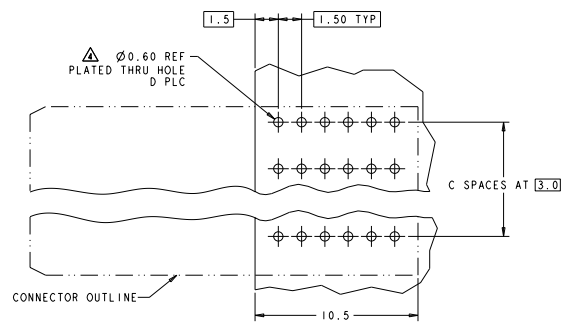
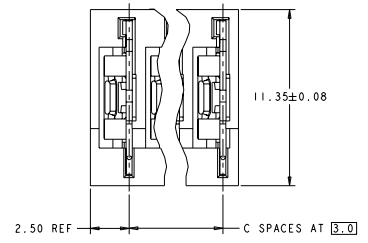
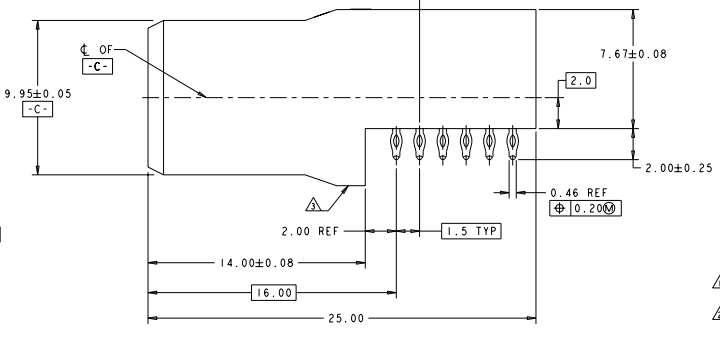
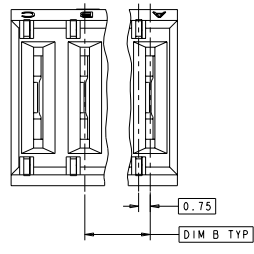


REV	DATE	DESCRIPTION	BY	CHK	APP
A1		REVISED PER ECO-11-004817			



SCALE 6:1



RECOMMENDED PCB HOLE LAYOUT

- △ HOUSING: POLYESTER, GRAY.
CONTACT: HIGH CURRENT COPPER ALLOY.
- △ CONTACT MATING AREA: 1.27µm MIN GOLD PLATE.
ACTION PIN AREA: 0.5µm MIN MATTE TIN PLATE.
ALL OVER 1.27µm MIN NICKEL UNDERPLATE.
- △ DATE CODE THIS APPROXIMATE AREA.
- △ REFERENCE APPLICATION SPEC 114-1103 FOR RECOMMENDED
PLATED THRU HOLE DIAMETER & PLATING THICKNESSES.

54	8	12.0	27.50	9	120943-7
48	7	10.5	24.50	8	120943-6
42	6	9.0	21.50	7	120943-5
36	5	7.5	18.50	6	120943-4
30	4	6.0	15.50	5	120943-3
24	3	4.5	12.30	4	120943-2
18	2	3.0	9.50	3	120943-1

THIS DRAWING IS A CONTROLLED DOCUMENT.		DATE: 14 JUN 2005	REV: 00
DESIGNED BY: [Signature]	DESIGNED BY: [Signature]	DATE: 14 JUN 2005	REV: 00
APPROVED BY: [Signature]	APPROVED BY: [Signature]	DATE: 14 JUN 2005	REV: 00
DATE: 14 JUN 2005	REV: 00	SCALE CODE: [Blank]	REVISIONS TO: [Blank]
CUSTOMER DRAWING	00779	120943	10-1