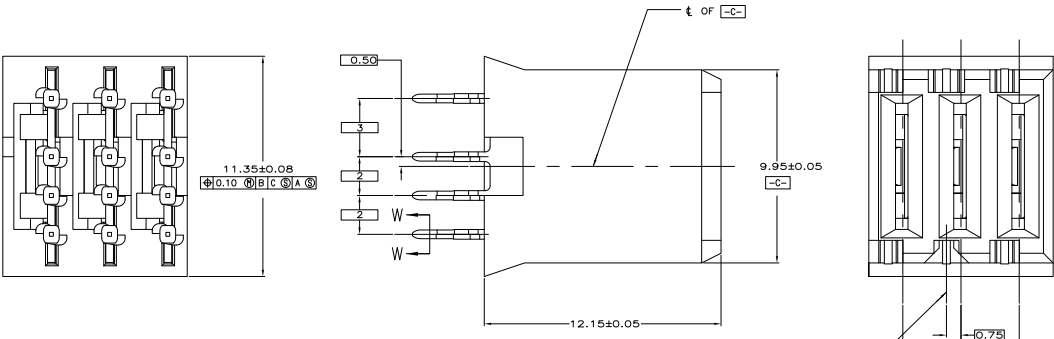
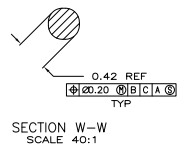
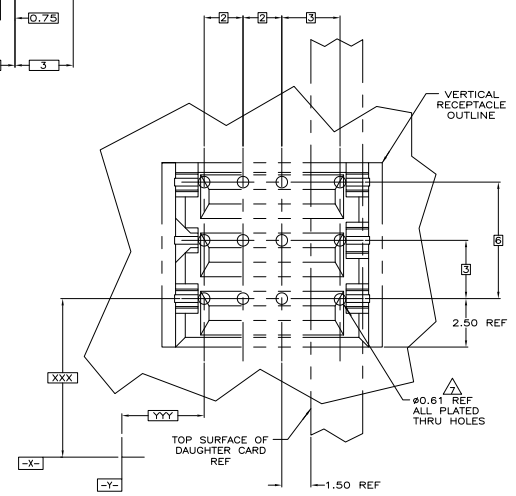
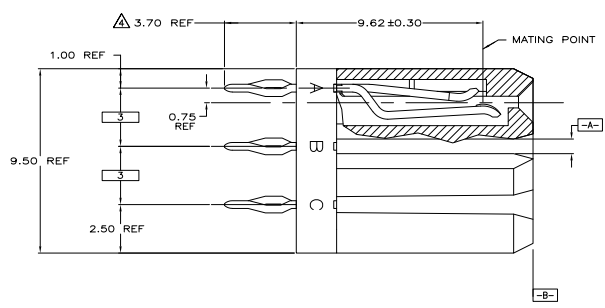


THIS DRAWING IS UNPUBLISHED
 ALL RIGHTS RESERVED

REV	DATE	DESCRIPTION	BY	CHK	APP
AD 00					
F		REVISED PER EDD-11-004835	11MR11	RK	HMR



- △ MATERIAL: HOUSING: POLYESTER, COLOR: GRAY, 94V-0. CONTACT: PHOSPHOR BRONZE.
- △ FINISH: CONTACT MATING AREA: 1.27µm MIN GOLD OR 0.08µm MIN GOLD OVER 0.76µm MIN PALLADIUM-NICKEL. ACTION PIN AREA: 0.5µm MIN TIN PLATE. ALL OVER 1.27µm MIN NICKEL UNDERPLATE.
- △ FINISH: CONTACT LUBRICATION WITH BELLCORE APPROVED LUBRICANT. TECHNICAL REFERENCE: TR-NWT-001217 ISSUE 1, SEPT 1992.
- △ TOLERANCE TO BE ±0.28 AFTER CONNECTOR IS APPLIED TO P.C. BOARD.
- △ RESTRICTED PART NUMBER, CONTACT ENGINEERING.
- △ MATERIAL: HOUSING: POLYESTER, COLOR: GRAY, 94V-0. CONTACT: HIGH CURRENT COPPER ALLOY.
- △ REFERENCE APPLICATION SPEC 114-1103 FOR RECOMMENDED PLATED THRU HOLE DIAMETER AND PLATING THICKNESS.
- 8 CURRENT RATING 10A/CONTACT FOR PHOS BRONZE CONTACTS AND 16A/CONTACT FOR HIGH CURRENT COPPER ALLOY CONTACTS PER PRODUCT SPEC 108-1651.



RECOMMENDED PCB HOLE LAYOUT

△△△△	5-5223955-2
△△△△	5223955-8
△△△△	5223955-2
MATERIAL & FINISH	PART NUMBER

THIS DRAWING IS A CONTROLLED DOCUMENT.		REVISED	DATE	BY	CHK	APP
DESIGNED BY	DESIGNED	DATE	BY	CHK	APP	
DRAWN BY	DRAWN	DATE	BY	CHK	APP	
CHECKED BY	CHECKED	DATE	BY	CHK	APP	
APPROVED BY	APPROVED	DATE	BY	CHK	APP	
DATE	DATE	DRAWING NO.	REVISED TO	REVISED	DATE	BY
SEE TABLE	SEE TABLE	A100779	5223955			
CUSTOMER DRAWING		SIZE 10:1	SHEET 1	OF 1	OF 1	P