

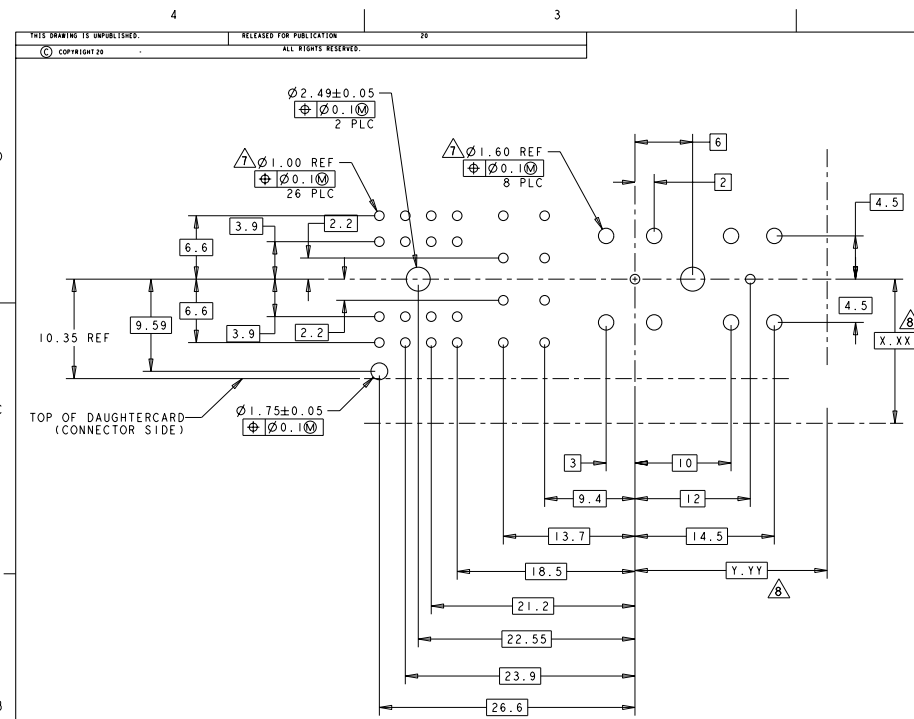
②	△	△	△	1766501-6
	△	△	△	1766501-5
△	△	△	△	1766501-4
	△	△	△	1766501-3
	△	△	△	1766501-2
	△	△	△	1766501-1
				FINISH PART NO

THIS DRAWING IS A CONTROLLED DOCUMENT. DWN DATE 03JUN2005  
 CDR S/PE McCLELLAN 03JUN2005  
 APD 03JUN2005

DIMENSIONS:	TO DRAWING DIMENSIONS	PRODUCT SPEC	NAME
mm	OPTIMISTIC SPECIFICS	108-2216	CONNECTOR ASSEMBLY, VERTICAL, BACKPLANE, COMPLIANT PRESS FIT, ADVANCED TCA
①	PLC #1	APPLICATION SPEC	SHEET CASE CODE DRAWING NO
②	PLC #2	114-13156	A200779 1766501
③	PLC #3		RESTRICTED TO
④	PLC #4		
⑤	PLC #5		
⑥	PLC #6		
⑦	PLC #7		
⑧	PLC #8		
⑨	PLC #9		
⑩	PLC #10		
⑪	PLC #11		
⑫	PLC #12		
⑬	PLC #13		
⑭	PLC #14		
⑮	PLC #15		
⑯	PLC #16		
⑰	PLC #17		
⑱	PLC #18		
⑲	PLC #19		
⑳	PLC #20		
㉑	PLC #21		
㉒	PLC #22		
㉓	PLC #23		
㉔	PLC #24		
㉕	PLC #25		
㉖	PLC #26		
㉗	PLC #27		
㉘	PLC #28		
㉙	PLC #29		
㉚	PLC #30		
㉛	PLC #31		
㉜	PLC #32		
㉝	PLC #33		
㉞	PLC #34		

MATERIAL: △ - FINISH: △ △ △ - WEIGHT: -

CUSTOMER DRAWING SCALE 1:1 SHEET 1 OF 2 REV D3



PCB LAYOUT  
VIEWED FROM CONNECTOR SIDE  
SCALE: 7:2

- △ FINISHES:  
CONTACTS MATING ZONE: GOLD PLATE, 1.27µm MIN THK.  
OVER NICKEL 1.27µm MIN THK.  
SOLDER TAILS: TIN PLATED, 1.27µm MIN THK.  
OVER NICKEL 1.27µm MIN THK.
- △ FINISHES:  
CONTACTS MATING ZONE: GOLD PLATE, 1.27µm MIN THK.  
OVER NICKEL 1.27µm MIN THK.  
SOLDER TAILS: TIN-LEAD PLATED, 1.27µm MIN THK.  
OVER NICKEL 1.27µm MIN THK.

REV	DATE	BY	APPROV
-	-	-	-
-	-	-	-
-	-	-	-

- △ MATERIALS:  
INSULATORS: THERMOPLASTIC, GLASS REINFORCED, COLOR-GRAY, UL94V-0 FLAMMABILITY RATED.  
SIGNAL PINS: COPPER ALLOY.  
POWER CONTACTS: HIGH CONDUCTIVITY COPPER ALLOY.
- △ FINISHES:  
CONTACTS MATING ZONE: GOLD PLATE, 0.76µm MIN THK.  
OVER NICKEL 1.27µm MIN THK.  
SOLDER TAILS: TIN PLATED, 1.27µm MIN THK.  
OVER NICKEL 1.27µm MIN THK.
- △ OPTIONAL MOUNTING SCREWS (Ø2.0mm x 5.0mm DP) FOR USE WITH SELF TAPPING SCREWS (CUSTOMER SUPPLIED).
- △ POSITIONS 1-4 NOT POPULATED AND RESERVED FOR FUTURE USE.
- △ ITEMS PROVIDED TO THIS SPECIFICATION TO BE PERMANENTLY IDENTIFIED PER THE FOLLOWING IDENTIFIER LABEL:  
YEAR \_\_\_\_\_ WEEK \_\_\_\_\_  
PART NO \_\_\_\_\_ DATE CODE (EG 0723) \_\_\_\_\_

6. GENERAL INFORMATION:

PART NO	SIZE NO	CONTACT QTY	MATING PIN DIA
1766501-1	16	8	Ø 1.60
	22	22	Ø 0.76

- △ MANUFACTURING TOLERANCE FOR:  
Ø 1.60<sup>+0.09</sup>-0.06 FINISHED HOLE WITH Sn PLATING:  
DRILLED HOLE = Ø 1.75 ± 0.025  
COPPER PLATING = 0.025 MIN  
Sn PLATING = 0.008 MIN
- Ø 1.00<sup>+0.09</sup>-0.06 FINISHED HOLE WITH Sn PLATING:  
DRILLED HOLE = Ø 1.15 ± 0.025  
COPPER PLATING = 0.025 MIN  
Sn PLATING = 0.008 MIN
- △ DATUMS AND BASIC DIMENSIONS TO BE ESTABLISHED BY CUSTOMER.
- △ FINISHES:  
CONTACTS MATING ZONE: GOLD PLATE, 0.76µm MIN THK.  
OVER NICKEL 1.27µm MIN THK.  
SOLDER TAILS: TIN-LEAD PLATED, 1.27µm MIN THK.  
OVER NICKEL 1.27µm MIN THK.
- △ CONTACT AREA LUBRICATED WITH BELLCORE APPROVED LUBRICANT. TECHNICAL REFERENCE: GR-1217-COR, ISSUE 1, NOVEMBER 1995

PRELIMINARY PART NUMBERS NOT RELEASED FOR PRODUCTION

THIS DRAWING IS A CONTROLLED DOCUMENT.		DATE: 03JUN2005	
DRAWN BY: S. SLOPE		DATE: 03JUN2005	
CHECKED BY: J. McLELLAN		DATE: 03JUN2005	<b>CONNECTOR ASSEMBLY, VERTICAL BACKPLANE, COMPLIANT PRESS FIT, ADVANCED TCA</b>
APPROVED BY: J. McLELLAN		DATE: 03JUN2005	
DIMENSIONS: mm		PRODUCT SPEC: 108-2216	
MATERIAL: -		APPLICATION SPEC: 114-13156	
WEIGHT: -		STRT CASE CODE: A200779	RESTRICTED TO: -
CUSTOMER DRAWING		SCALE: 1:1	SHEET 2 OF 2 REV D3