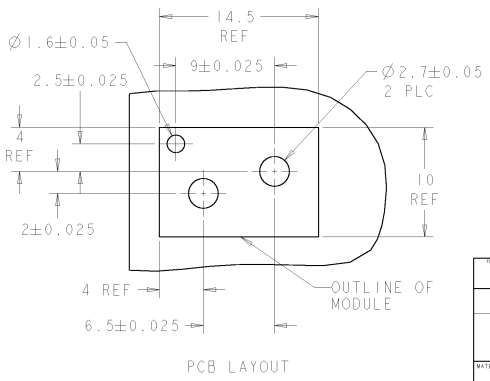
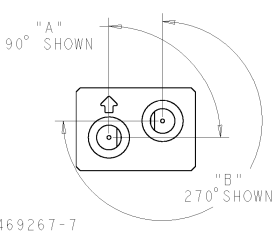
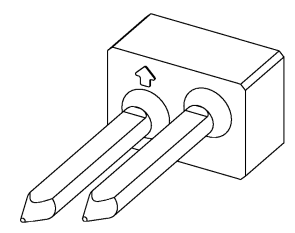
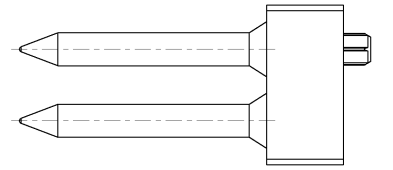
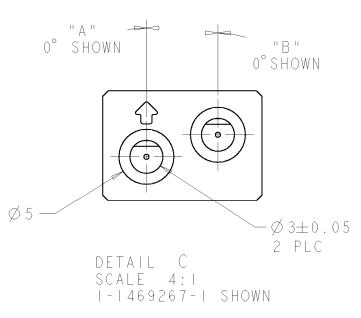
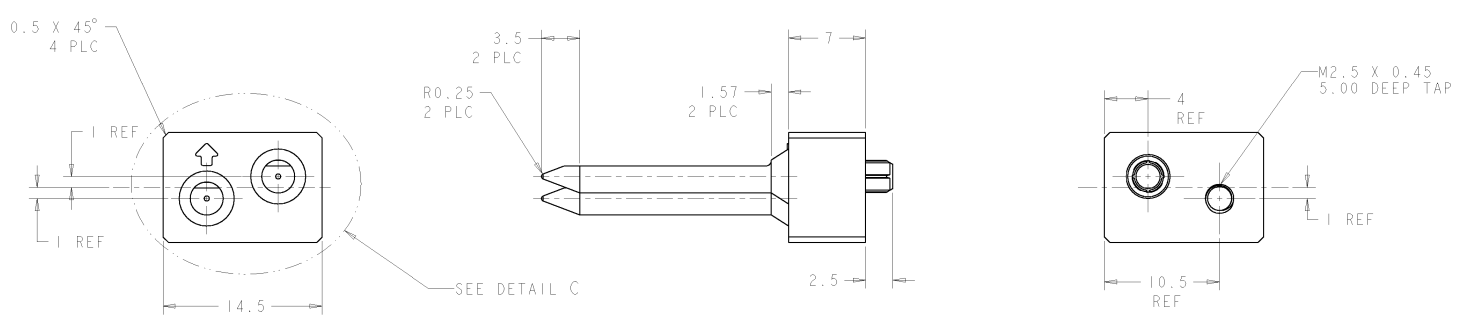


REV	DATE	BY	CHKD	DESCRIPTION
0	REV PER EC 0512-0411-04	158EC004	BC	RP



NOTES:
1. RECOMMENDED MOUNTING HARDWARE - M2.5 X 0.45 SCREW, 4.0MM LONG UP TO 2.9 MM THICK PCB, 6.0MM LONG FOR 3.0 TO 4.0 MM THICK PCB, 8.0MM FOR 4.1 TO 6.0MM THICK PCB, 10.0MM FOR 6.1 TO 8.0MM THICK PCB. (HARDWARE NOT SUPPLIED WITH PART NUMBER)

270°	90°	3-1469267-7
0°	0°	1-1469267-1
"A"	"B"	PART NUMBER

DIMENSIONS: mm		OWN: 0 - SZCZESNI	17DEC02		Tyco Electronics Harrisburg, PA 17105-3600
DRAWING: 3-1469267-1		CHK: B. PATTERSON	15DEC04		
MATERIAL: ZAMAC 3		FINISH: NICKEL	CUSTOMER DRAWING	ATCA GUIDE MODULE A1	
DATE: 12/17/02		SIZE: A2	CASE CODE: 100779	DRAWING NO: 1469267	RESTRICTED TO: -
SCALE: 3:1		SHEET 1 OF 1		REV 0	