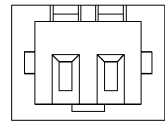
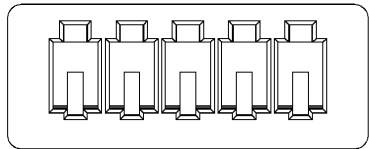
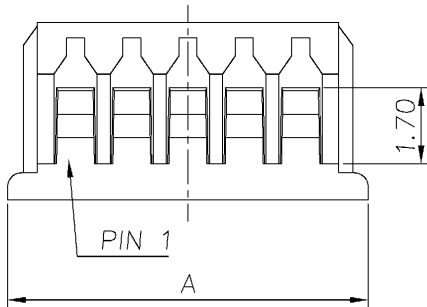
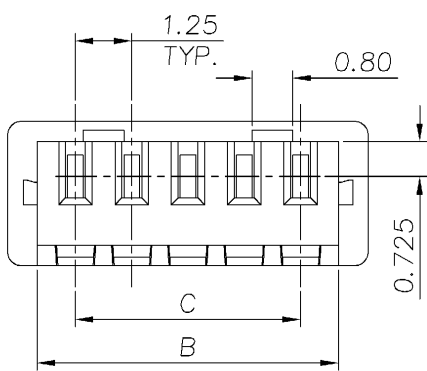
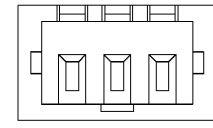


NUMBER C-440146
METRIC

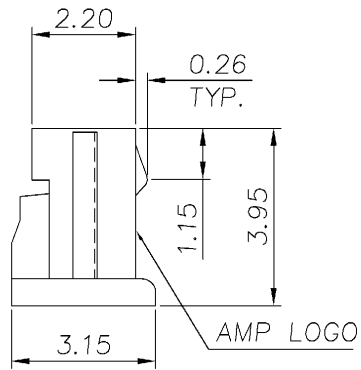
3RD ANGLE PROJECTION
DIMENSIONS IN MILLIMETERS. DO NOT SCALE PRINT.



2 POS.



3 POS.



NOTE:
1. MATERIAL:
HOUSING: THERMOPLASTIC, UL 94V-0,
COLOR: NATURAL.
2. APPLY TERMINAL PART NO: X-440147-X.

15	20.50	19.20	17.50	1-440146-5
14	19.25	17.95	16.25	1-440146-4
13	18.00	16.70	15.00	1-440146-3
12	16.75	15.45	13.75	1-440146-2
11	15.50	14.20	12.50	1-440146-1
10	14.25	12.95	11.25	1-440146-0
9	13.00	11.70	10.00	440146-9
8	11.75	10.45	8.75	440146-8
7	10.50	9.20	7.50	440146-7
6	9.25	7.95	6.25	440146-6
5	8.00	6.70	5.00	440146-5
4	6.75	5.45	3.75	440146-4
3	5.50	4.20	2.50	440146-3
2	4.25	2.95	1.25	440146-2
POS.	A	B	C	PART NUMBER

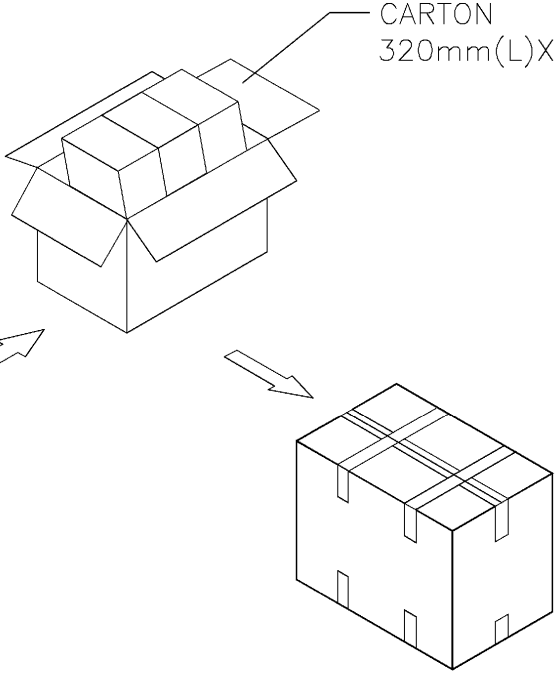
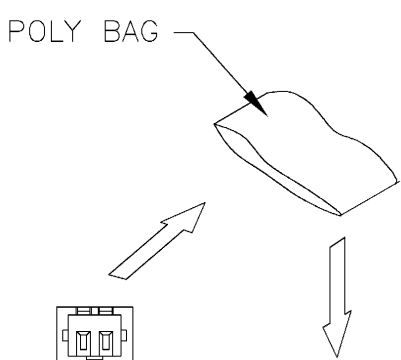
PRINT DW

B1		REVISED PER ECO-11-005201	RK	HMR	10/08/11
LTR	REVISION RECORD	ECO	DWS	CHK	DATE

DIMENSION : 0 PLC ± 1 PLC ±0.15 2 PLC ±0.10 3 PLC ±0.05 ANGLES ±3		DWN O. HU 29-JUL-2003	TE Connectivity	
MATERIAL SEE NOTE		CHK A. WU 29-JUL-2003	NAME	
FINISH SEE NOTE		APVD J. CHENG 29-JUL-2003	WIRE TO BOARD SOCKET, HOUSING, 1.25 PITCH.	
		PRODUCT SPEC 108-57225	LOC DW A3	DRAWING NO C-440146
		QUALIFICATION TEST REPORT 501-57229	SCALE	SHEET
		WEIGHT	1 OF 2	

CUSTOMER DRAWING

NUMBER C-440146
 3RD ANGLE PROJECTION
 METRIC



POLY BAG

CARTON
 320mm(L)X 220mm(W)X 140mm(H)

INNER BOX
 100mm(L)X 200mm(W)X 120mm(H)

15,000	1,000	1-440146-5
15,000	1,000	1-440146-4
15,000	1,000	1-440146-3
18,000	1,000	1-440146-2
18,000	1,000	1-440146-1
21,000	1,000	1-440146-0
21,000	1,000	440146-9
24,000	1,000	440146-8
27,000	1,000	440146-7
30,000	1,000	440146-6
33,000	1,000	440146-5
36,000	1,000	440146-4
48,000	2,000	440146-3
60,000	2,000	440146-2
APQ	PPQ	PART NUMBER
(PCS/CARTON)	(PCS/BAG)	

DIMENSION : 0 PLC ± 1 PLC ±0.15 2 PLC ±0.10 3 PLC ±0.05 ANGLES ±3°	DWN O. HU 29-JUL-2003	TE Connectivity NAME WIRE TO BOARD SOCKET, HOUSING, 1.25 PITCH.
	CHK A. WU 29-JUL-2003	
MATERIAL SEE NOTE	APVD J. CHENG 29-JUL-2003	LOC DW A3
FINISH SEE NOTE	QUALIFICATION TEST REPORT WEIGHT	DRAWING NO C-440146
LTR	REVISION RECORD	ECO
DWN	CHK	DATE
		SCALE --
		SHEET 2 OF 2

LTR	REVISION RECORD	SEE SHEET 1.	ECO	DWN	CHK	DATE
-----	-----------------	--------------	-----	-----	-----	------

PRINT DW

8 7 6 5 4 3 2 1

CUSTOMER DRAWING