

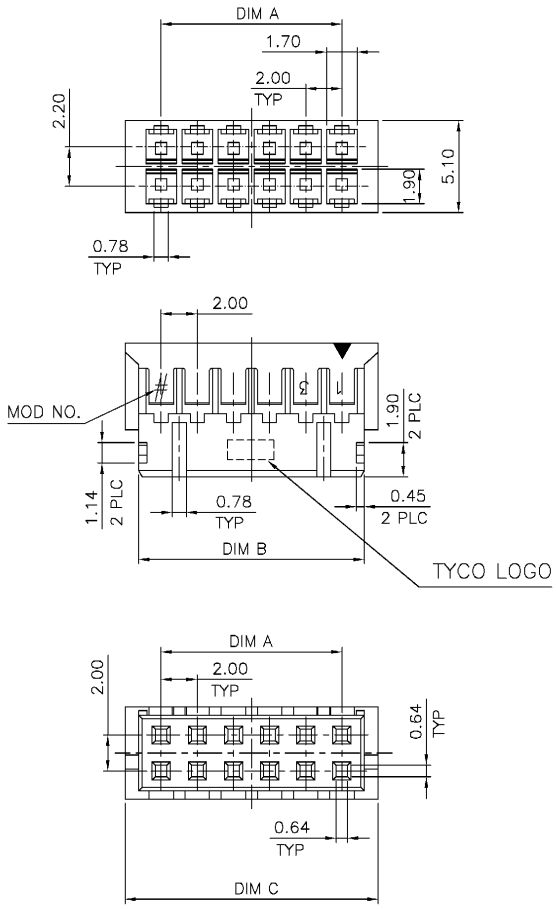
NUMBER C-1470107

3RD ANGLE PROJECTION

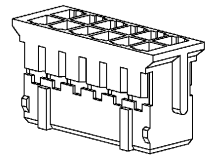
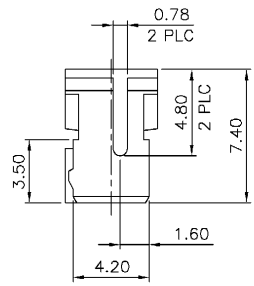
METRIC

DIMENSIONS IN MILLIMETERS. DO NOT SCALE PRINT.

PRINT DW



NOTE:
1. MATERIAL :
HOUSING : THERMOPLASTIC UL94V-0, WHITE COLOR.



| DIM C | DIM B | DIM A | POS. | PART NUMBER |
|-------|-------|-------|------|-------------|
| 34.0 | 32.5 | 30.0 | 32 | 3-1470107-2 |
| 32.0 | 30.5 | 28.0 | 30 | 3-1470107-0 |
| 30.0 | 28.5 | 26.0 | 28 | 2-1470107-8 |
| 28.0 | 26.5 | 24.0 | 26 | 2-1470107-6 |
| 26.0 | 24.5 | 22.0 | 24 | 2-1470107-4 |
| 24.0 | 22.5 | 20.0 | 22 | 2-1470107-2 |
| 22.0 | 20.5 | 18.0 | 20 | 2-1470107-0 |
| 20.0 | 18.5 | 16.0 | 18 | 1-1470107-8 |
| 18.0 | 16.5 | 14.0 | 16 | 1-1470107-6 |
| 16.0 | 14.5 | 12.0 | 14 | 1-1470107-4 |
| 14.0 | 12.5 | 10.0 | 12 | 1-1470107-2 |
| 12.0 | 10.5 | 8.0 | 10 | 1-1470107-0 |
| 10.0 | 8.5 | 6.0 | 8 | 1470107-8 |
| 8.0 | 6.5 | 4.0 | 6 | 1470107-6 |

| | | | | | |
|-----|-----------------|---------|------|----------|-------------|
| A1 | REVISION RECORD | REVISOR | DATE | REVISION | DESCRIPTION |
| LTR | ECO | ECO | | | |

| | | | | |
|---|--|--|--|--------|
| DIMENSION : 0 PLC ± 1 PLC ±0.30 2 PLC ±0.20 3 PLC ±0.10 ANGLES ± | | DWN O. HU 12-AUG-2003 CHK A. WU 12-AUG-2003 | TE Connectivity NAME J. CHENG 12-AUG-2003 | |
| MATERIAL | | APVD | PRODUCT SPEC | |
| SEE NOTE | | J. CHENG | 108-57217 | |
| FINISH | | QUALIFICATION TEST REPORT | LOC | SIZE |
| SEE NOTE | | 501-57218 | DW | A3 |
| | | WEIGHT | DRAWING NO | REV |
| | | | C-1470107 | A1 |
| | | | SCALE | SHEET |
| | | | -- | 1 OF 2 |

8 7 6 5 4 3 2 1 CUSTOMER DRAWING

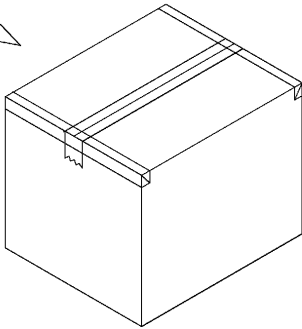
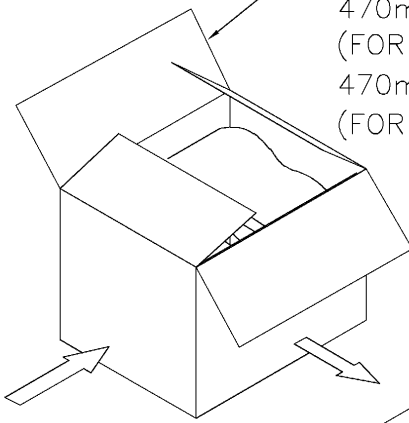
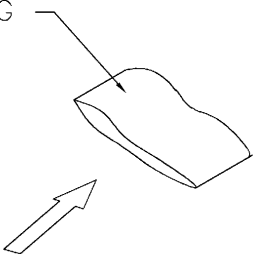
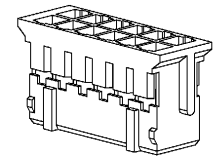
PRINT DIST DW DIMENSIONS IN MILLIMETERS. DO NOT SCALE PRINT.

NUMBER C-1470107
3RD ANGLE PROJECTION
METRIC

POLY BAG

CARTON

470mm(L)X 340 mm(W)X 178mm(H)
(FOR P/N 0-1470107-6~1-1470106-6)
470mm(L)X 340 mm(W)X 365mm(H)
(FOR P/N 1-1470107-8~3-1470106-2)



| | | |
|---------------------|------------------|-------------|
| 20,000 | 1000 | 3-1470107-2 |
| 20,000 | 1000 | 3-1470107-0 |
| 20,000 | 1000 | 2-1470107-8 |
| 24,000 | 1000 | 2-1470107-6 |
| 26,000 | 1000 | 2-1470107-4 |
| 30,000 | 1000 | 2-1470107-2 |
| 30,000 | 1000 | 2-1470107-0 |
| 36,000 | 1000 | 1-1470107-8 |
| 20,000 | 1000 | 1-1470107-6 |
| 20,000 | 1000 | 1-1470107-4 |
| 25,000 | 1000 | 1-1470107-2 |
| 30,000 | 1000 | 1-1470107-0 |
| 40,000 | 1000 | 1470107-8 |
| 50,000 | 1000 | 1470107-6 |
| APQ (PCS/CARTON) | PPQ (PCS/BAG) | PART NUMBER |

| | | | | | | |
|-----|-----------------|--------------|-----|-----|-----|------|
| LTR | REVISION RECORD | SEE SHEET 1. | ECO | DWN | CHK | DATE |
|-----|-----------------|--------------|-----|-----|-----|------|

| | | | | |
|-------------|--------------|----------|-------------|----------------------------|
| DIMENSION : | DWN | C. HU | 12-AUG-2003 | TE Connectivity |
| 0 PLC ± | CHK | A. WU | 12-AUG-2003 | |
| 1 PLC ± | APVD | J. CHENG | 12-AUG-2003 | |
| 2 PLC ± | PRODUCT SPEC | | | NAME |
| 3 PLC ± | FINISH | | | 2.0 MM PITCH CRIMP HOUSING |
| ANGLES ± | SEE NOTE | | | LOC |
| | | | | SIZE |
| | | | | DRAWING NO |
| | | | | REV |
| | | | | A1 |
| | | | | SCALE |
| | | | | 2 OF 2 |
| | | | | SHEET |

CUSTOMER DRAWING

8 7 6 5 4 3 2 1