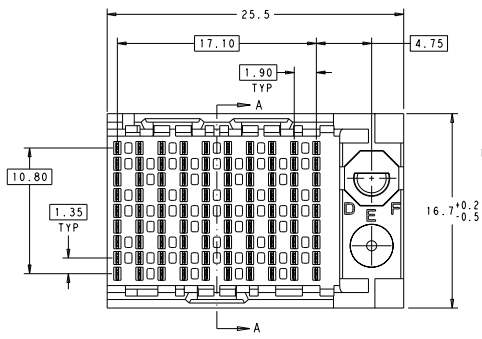
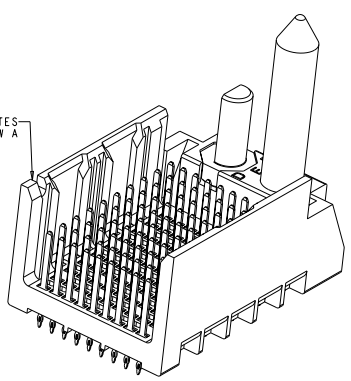


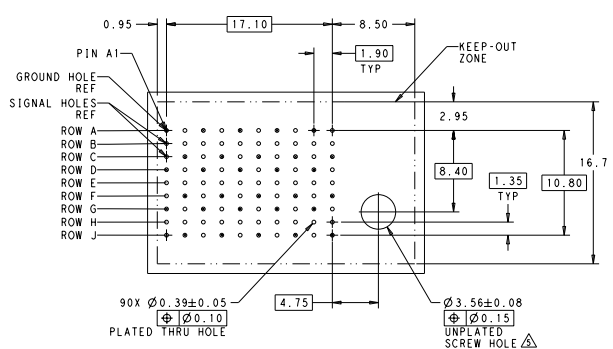
REV	DATE	DESCRIPTION	BY	CHK	APP
C		REVISED PER ECO-11-025276	ZOBICHT	AN	DT



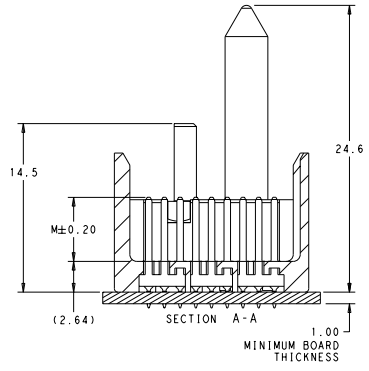
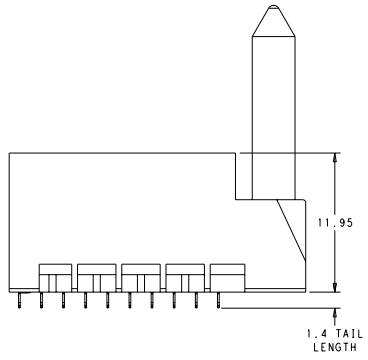
NOTCH DESIGNATES ROW A



- △ MATERIAL: HOUSING: LCP, GLASS FILLED, UL94V-0. TERMINALS: HIGH PERFORMANCE COPPER ALLOY.
- △ FINISH: 30µ" MIN GOLD IN CONTACT AREA. SELECTIVE TIN ON PCB TAILS, NICKEL OVERALL.
- △ FINISH: 30µ" MIN GOLD IN CONTACT AREA. SELECTIVE TIN-LEAD ON PCB TAILS, NICKEL OVERALL.
- 4. SCREWS PACKAGED IN END OF PACKAGING TUBE.
- △ FOR GROUNDED GUIDE PIN USE Ø3.56±0.08 PTH, Ø3.66 DRILL, AND Ø6.5 PAD.
- 6. KEYING PIN SHOWN IN POSITION A. SEE KEYING CHART ON SHEET 2 FOR OTHER POSITIONS.



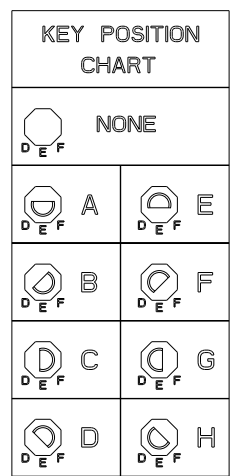
RIGHT GUIDED BACKPLANE HOLE PATTERN (CONNECTOR SIDE)



THIS DRAWING IS A CONTROLLED DOCUMENT.		REV. #	NUMBER	2208C11
DATE	02/20/2013	REV. #	NUMBER	2208C11
BY	AN	DATE	02/20/2013	
CHKD	DT	REV. #	NUMBER	2208C11
APP'D		DATE	02/20/2013	
DESCRIPTION	IMPACT, 3 PAIR, 10 COLUMN, HEADER RIGHT GUIDED, OPEN END WALL SIGNAL MODULE, 0.39 PTH	STATE	CAKE CODE (DRAWING NO)	00779 (2007781)
MATERIAL	SEE TABLE	REVISED BY		
REVISIONS	SEE TABLE	CUSTOMER DRAWING		

REV	DATE	DESCRIPTION	BY	CHK	APP
AD	00	SEE SHEET 1			

FINISH	KEY POSITION	DIM M	PART NUMBER
△	H	5.5	8-2007781-6
△	H	4.9	8-2007781-5
△	H	4.5	8-2007781-4
△	H	5.5	8-2007781-3
△	H	4.9	8-2007781-2
△	H	4.5	8-2007781-1
△	G	5.5	7-2007781-6
△	G	4.9	7-2007781-5
△	G	4.5	7-2007781-4
△	G	5.5	7-2007781-3
△	G	4.9	7-2007781-2
△	G	4.5	7-2007781-1
△	F	5.5	6-2007781-6
△	F	4.9	6-2007781-5
△	F	4.5	6-2007781-4
△	F	5.5	6-2007781-3
△	F	4.9	6-2007781-2
△	F	4.5	6-2007781-1
△	E	5.5	5-2007781-6
△	E	4.9	5-2007781-5
△	E	4.5	5-2007781-4
△	E	5.5	5-2007781-3
△	E	4.9	5-2007781-2
△	E	4.5	5-2007781-1
△	D	5.5	4-2007781-6
△	D	4.9	4-2007781-5
△	D	4.5	4-2007781-4
△	D	5.5	4-2007781-3
△	D	4.9	4-2007781-2
△	D	4.5	4-2007781-1
△	C	5.5	3-2007781-6
△	C	4.9	3-2007781-5
△	C	4.5	3-2007781-4
△	C	5.5	3-2007781-3
△	C	4.9	3-2007781-2
△	C	4.5	3-2007781-1
△	B	5.5	2-2007781-6
△	B	4.9	2-2007781-5
△	B	4.5	2-2007781-4
△	B	5.5	2-2007781-3
△	B	4.9	2-2007781-2
△	B	4.5	2-2007781-1
△	A	5.5	1-2007781-6
△	A	4.9	1-2007781-5
△	A	4.5	1-2007781-4
△	A	5.5	1-2007781-3
△	A	4.9	1-2007781-2
△	A	4.5	1-2007781-1
△	-	5.5	2007781-6
△	-	4.9	2007781-5
△	-	4.5	2007781-4
△	-	5.5	2007781-3
△	-	4.9	2007781-2
△	-	4.5	2007781-1
FINISH	KEY POSITION	DIM M	PART NUMBER



REFER TO WWW.TE.COM FOR PRODUCT AVAILABILITY

THIS DRAWING IS A CONTROLLED DOCUMENT.		REV. NUMBER	200ECC11		TE Connectivity
REVISED BY	DATE	REV. NUMBER	200ECC11		
DESIGNED BY	DATE	REV. NUMBER	200ECC11		
CHECKED BY	DATE	REV. NUMBER	200ECC11		
APPROVED BY	DATE	REV. NUMBER	200ECC11		
MATERIAL	SEE TABLE	DESCRIPTION	IMPACT, 3 PAIR, 10 COLUMN, HEADER RIGHT GUIDED, OPEN END WALL SIGNAL MODULE, 0.39 PTH	SIZE	SEE CODE (DRAWING NO)
		REV. NUMBER	A 00779 2007781	REV. NUMBER	
		CUSTOMER DRAWING		DATE	5.11.02