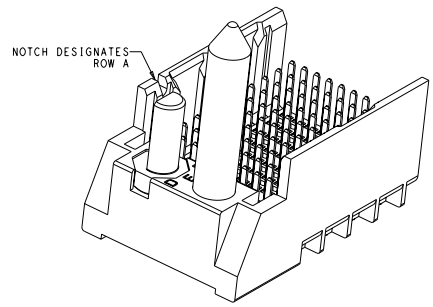
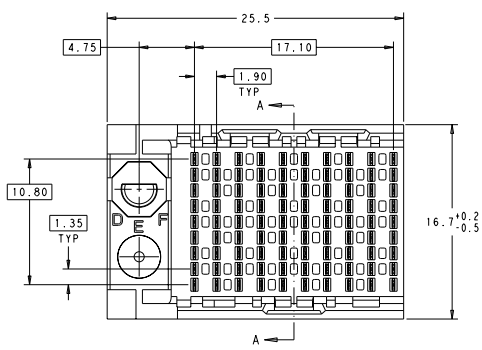
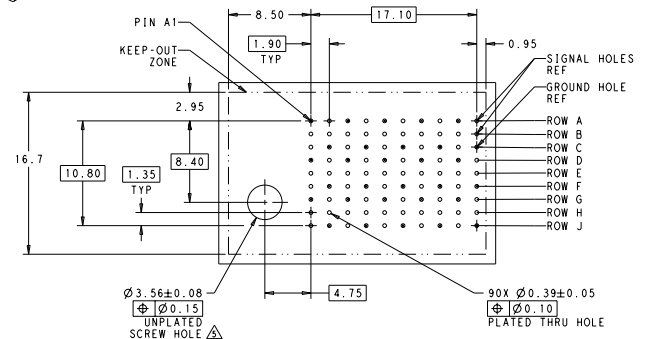


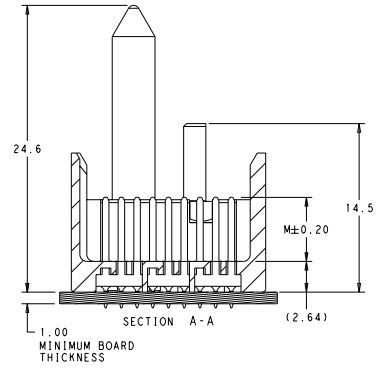
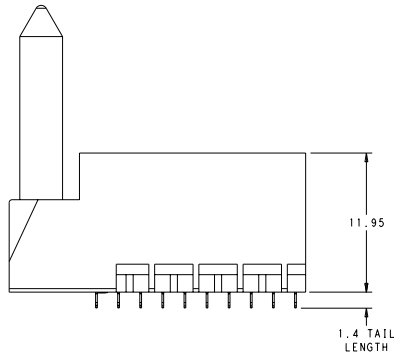
REV	DATE	DESCRIPTION	BY	CHK	APP
AD	00				
C		REVISED PER ECO-11-025276	ZOBETT	AN	DT



- △ MATERIAL:
HOUSING: LCP, GLASS FILLED, UL94V-0.
TERMINALS: HIGH PERFORMANCE COPPER ALLOY.
- △ FINISH:
30µ" MIN GOLD IN CONTACT AREA. SELECTIVE TIN ON PCB TAILS, NICKEL OVERALL.
- △ FINISH:
30µ" MIN GOLD IN CONTACT AREA. SELECTIVE TIN-LEAD ON PCB TAILS, NICKEL OVERALL.
- 4. SCREWS PACKAGED IN END OF PACKAGING TUBE.
- △ FOR GROUNDED GUIDE PIN USE Ø3.56±0.08 PTH, Ø3.66 DRILL, AND Ø6.5 PAD.
- 6. KEYING PIN SHOWN IN POSITION A. SEE KEYING CHART ON SHEET 2 FOR OTHER POSITIONS.



LEFT GUIDED BACKPLANE HOLE PATTERN (CONNECTOR SIDE)





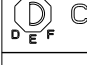
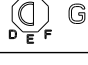




THIS DRAWING IS A CONTROLLED DOCUMENT.		REV. NUMBER: 220EC11	 TE Connectivity
DATE: 11/11/11	DESIGNED BY: ZOBETT	REV. LABEL: 220EC11	
SCALE: 1:1	DATE: 11/11/11	REV. LABEL: 220EC11	IMPACT, 3 PAIR, 10 COLUMN, HEADER LEFT GUIDED, OPEN END WALL SIGNAL MODULE, Ø.39 PTH
APPROVED: [Signature]	DATE: 11/11/11	REV. LABEL: 220EC11	STATE CASE CODE (SEARCH TO): A 00779 ©2007777
MATERIAL: LCP	SEE TABLE	CUSTOMER DRAWING	SHEET: 6.11 OF 2 REV. C

8	7	6	5	4	3	2	1
FILE NUMBER TO IMPROVISE	REVISION FOR PUBLICITY						
0000000000	ALL RIGHTS RESERVED						

REV	DATE	REVISIONS
AD	00	SEE SHEET 1

△	H	5.5	8-2007777-6	
△	H	4.9	8-2007777-5	
△	H	4.5	8-2007777-4	
△	H	5.5	8-2007777-3	
△	H	4.9	8-2007777-2	
△	H	4.5	8-2007777-1	
△	G	5.5	7-2007777-6	
△	G	4.9	7-2007777-5	
△	G	4.5	7-2007777-4	
△	G	5.5	7-2007777-3	
△	G	4.9	7-2007777-2	
△	G	4.5	7-2007777-1	
△	F	5.5	6-2007777-6	
△	F	4.9	6-2007777-5	
△	F	4.5	6-2007777-4	
△	F	5.5	6-2007777-3	
△	F	4.9	6-2007777-2	
△	F	4.5	6-2007777-1	
△	E	5.5	5-2007777-6	
△	E	4.9	5-2007777-5	
△	E	4.5	5-2007777-4	
△	E	5.5	5-2007777-3	
△	E	4.9	5-2007777-2	
△	E	4.5	5-2007777-1	
△	D	5.5	4-2007777-6	
△	D	4.9	4-2007777-5	
△	D	4.5	4-2007777-4	
△	D	5.5	4-2007777-3	
△	D	4.9	4-2007777-2	
△	D	4.5	4-2007777-1	
△	C	5.5	3-2007777-6	
△	C	4.9	3-2007777-5	
△	C	4.5	3-2007777-4	
△	C	5.5	3-2007777-3	
△	C	4.9	3-2007777-2	
△	C	4.5	3-2007777-1	
△	B	5.5	2-2007777-6	
△	B	4.9	2-2007777-5	
△	B	4.5	2-2007777-4	
△	B	5.5	2-2007777-3	
△	B	4.9	2-2007777-2	
△	B	4.5	2-2007777-1	
△	A	5.5	1-2007777-6	
△	A	4.9	1-2007777-5	
△	A	4.5	1-2007777-4	
△	A	5.5	1-2007777-3	
△	A	4.9	1-2007777-2	
△	A	4.5	1-2007777-1	
△	-	5.5	2007777-6	
△	-	4.9	2007777-5	
△	-	4.5	2007777-4	
△	-	5.5	2007777-3	
△	-	4.9	2007777-2	
△	-	4.5	2007777-1	
△	FINISH	KEY POSITION	DIM M	PART NUMBER

KEY POSITION CHART	
NONE	
 A	 E
 B	 F
 C	 G
 D	 H

REFER TO WWW.TE.COM
FOR PRODUCT AVAILABILITY

THIS DRAWING IS A CONTROLLED DOCUMENT.		REV. NUMBER	2000011
DRAWING NO.		REV. NUMBER	2000011
DRAWING TITLE		REV. NUMBER	2000011
DRAWING DATE		REV. NUMBER	2000011
DRAWING SCALE		REV. NUMBER	2000011
DRAWING MATERIAL		REV. NUMBER	2000011
DRAWING FINISH		REV. NUMBER	2000011
DRAWING SEE TABLE		REV. NUMBER	2000011
DRAWING CUSTOMER DRAWING		REV. NUMBER	2000011
DRAWING IMPACT, 3 PAIR, 10 COLUMN, HEADER		REV. NUMBER	2000011
DRAWING LEFT GUIDED, OPEN END WALL		REV. NUMBER	2000011
DRAWING SIGNAL MODULE, 0.38 PTH		REV. NUMBER	2000011
DRAWING STATE CASE CODE DRAWING NO.		REV. NUMBER	2000011
DRAWING A 00779 2007777		REV. NUMBER	2000011
DRAWING CUSTOMER DRAWING		REV. NUMBER	2000011
DRAWING SHEET		REV. NUMBER	2000011
DRAWING 5.1		REV. NUMBER	2000011
DRAWING 2		REV. NUMBER	2000011
DRAWING 2		REV. NUMBER	2000011
DRAWING 100 C		REV. NUMBER	2000011