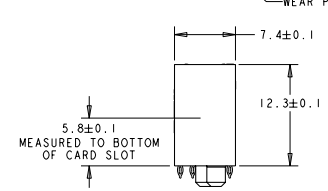
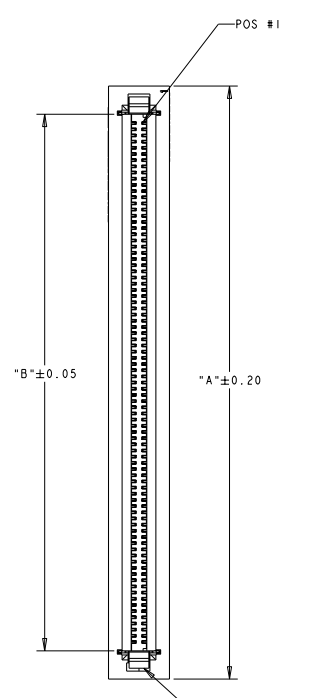
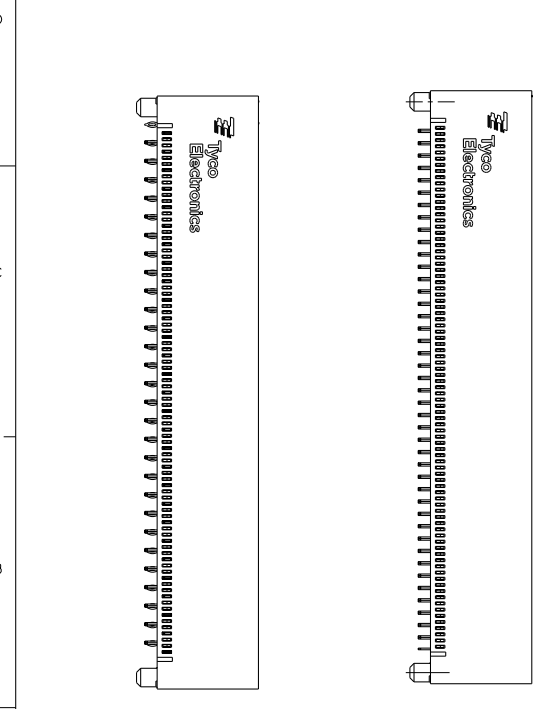


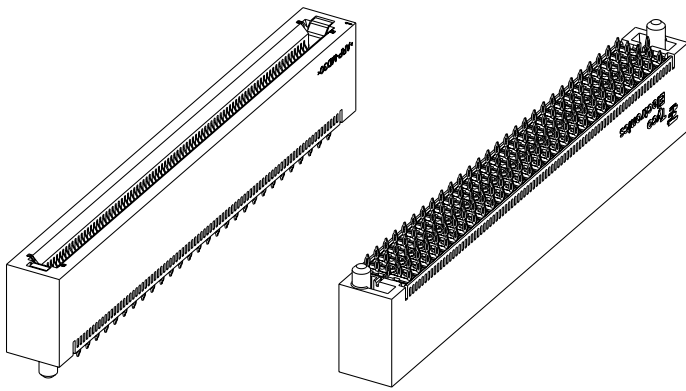
REVOLUTIONS		DATE	BY	APPV
P	LYN			
A	RELEASED	23NOV98	KT	PR
B	REV PER ECO-09-006618	20MAR2009	CR	PR



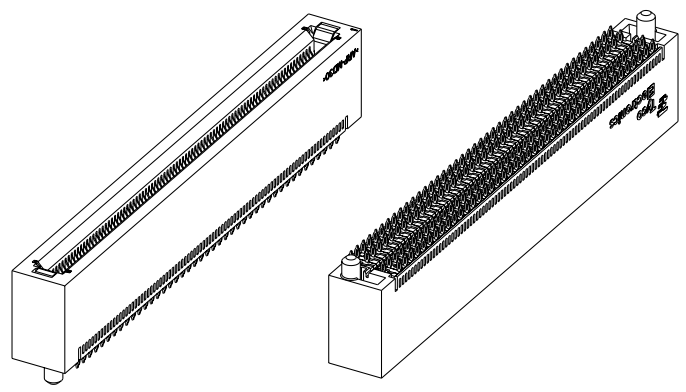
- △ PCB HOLE DIMENSIONS:
 DRILLED HOLE = 0.64 ± 0.02 mm
 FINISHED HOLE = 0.55 mm REF
 Cu THICKNESS = 25-50 um WITH EITHER
 PLATING THICKNESS:
 HASL Sn Pb = 4-10 um OR
 IMMERSION Sn = MIN 0.5 um OR
 OSP = 0.2-0.5 um OR
 IMMERSION Au/Ni = 0.5-1.2 um Au OVER 3.0-7.0 um Ni OR
 IMMERSION Ag = 0.1 um MIN
- △ MATERIAL:
 HOUSING- LCP, 94V-0 RATED, COLOR- BLACK
 CONTACTS- COPPER ALLOY
 WEAR PLATE- STAINLESS STEEL
- △ FINISH- MATING AREA- 0.76 um MIN GOLD OR
 0.64 um MIN PALLADIUM-NICKEL OVER 1.27um MIN NICKEL
 COMPLIANT PIN AREA- 0.5 um MATTE TIN OVER 1.27 um
 NICKEL.
- 4 CONNECTOR MARKED WITH PART NUMBER AND DATE CODE.
- △ 5 DATUMS AND BASIC DIMENSIONS ESTABLISHED
 BY CUSTOMER.
- 6 CONTACT AREA LUBRICATED WITH BELLCORE APPROVED
 LUBRICANT. TECHNICAL REFERENCE GR-1217-CORE
 ISSUE 1, NOVEMBER 1995.
- 7 REFER TO TYCO ELECTRONICS APPLICATION SPECIFICATION
 114-13180 FOR SPECIFIC APPLICATION RELATED INFORMATION.
- △ 8 FINISH- MATING AREA- 0.76 um MIN GOLD OR
 0.64 um MIN PALLADIUM-NICKEL OVER 1.27um MIN NICKEL
 COMPLIANT PIN AREA- 0.5 um BRIGHT TIN-LEAD OVER 1.27 um
 NICKEL.
- △ 9 WEAR PLATE EXTENDS FROM TOP OF CONNECTOR
 TO BOTTOM OF SLOT AND IS USED TO ELIMINATE WEAR OF
 THE HOUSING CAUSED BY THE EDGE OF THE PCB CARD.
- △ 10 THESE 2 END HOLES ARE NOT REQUIRED ON 80 AND
 140 POSITION PCB S.

DIMENSIONS:		DRAWN: D. SZCZESNY 11JAN08		Tyco Electronics Harrisburg, PA 17105-3608	
mm		CHK: -		CARD EDGE CONNECTOR, VERTICAL 0.75 CENTERLINE	
TO BE CHECKED BY CUSTOMER		APPRO: -		RESTRICTED TO	
OPERATION SPECIFIED:		PRODUCT SPEC		SCALE 1:1	
0 PLC #0-1		108-2254		SHEET 1 OF 4	
1 PLC #0-5		APPLICATION SPEC		REV B	
2 PLC #0-13		114-13180			
3 PLC #0-013		WEIGHT			
4 PLC #0-008		CUSTOMER DRAWING			
ANGLES					
FINISH					

LOC	DISP	REVISIONS					
CC	00	P	LYR	DESCRIPTION	DATE	BY	APPR
		-		SEE SHEET 1	-	-	-



PART NUMBERS
2-1934768-1 THRU 3-1934768-6
DIFFERENTIAL PAIR CONFIGURATION



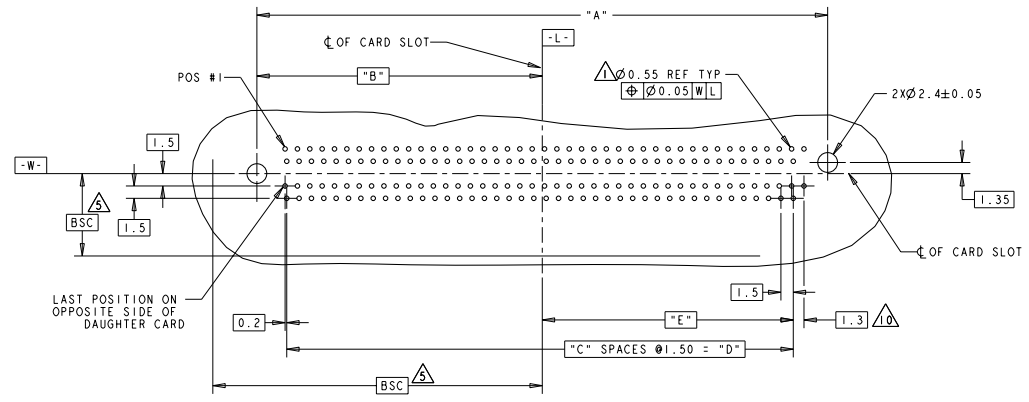
PART NUMBERS
1934768-1 THRU 1-1934768-6
INDIVIDUAL SIGNAL CONFIGURATION

"B"	"A"	DIFFERENTIAL PAIR	SIGNALS	PLATING	POSITIONS	PART NUMBER
65.15	72.00	56	-	8	170	3-1934768-6
53.90	60.75	46	-	8	140	3-1934768-5
42.65	48.50	36	-	8	110	3-1934768-4
31.40	38.25	26	-	8	80	3-1934768-3
20.15	27.00	16	-	8	50	3-1934768-2
47.15	54.00	40	-	8	122	3-1934768-1
65.15	72.00	56	-	3	170	2-1934768-6
53.90	60.75	46	-	3	140	2-1934768-5
42.65	49.50	36	-	3	110	2-1934768-4
31.40	38.25	26	-	3	80	2-1934768-3
20.15	27.00	16	-	3	50	2-1934768-2
47.15	54.00	40	-	3	122	2-1934768-1
65.15	72.00	-	170	8	170	1-1934768-6
53.90	60.75	-	140	8	140	1-1934768-5
42.65	49.50	-	110	8	110	1-1934768-4
31.40	38.25	-	80	8	80	1-1934768-3
20.15	27.00	-	50	8	50	1-1934768-2
47.15	54.00	-	122	8	122	1-1934768-1
65.15	72.00	-	170	3	170	1934768-6
53.90	60.75	-	140	3	140	1934768-5
42.65	49.50	-	110	3	110	1934768-4
31.40	38.25	-	80	3	80	1934768-3
20.15	27.00	-	50	3	50	1934768-2
47.15	54.00	-	122	3	122	1934768-1

CUSTOM LOAD PATTERNS ARE AVAILABLE. CONTACT TYCO ELECTRONICS SALES.

<small>TOP DIMENSIONS CONTROLLED BY TYCO ELECTRONICS CORPORATION. ALL DIMENSIONS ARE TO THE CENTERLINE UNLESS OTHERWISE SPECIFIED.</small>		DWG NO. SZCZESNY 1 JAN 08 CHK. - APP'D. -	Tyco Electronics Harrisburg, PA 17105-3608
DIMENSIONS: mm 	TOY BRANDS, DIVISION OPERATING SPECIFICATIONS: 0 PLC 80-1 1 PLC 80-5 2 PLC 80-13 3 PLC 80-013 4 PLC 80-008 ANGLES FINISH	PRODUCT SPEC 108-2254 APPLICATION SPEC 114-13180 WEIGHT - CUSTOMER DRAWING	NAME CARD EDGE CONNECTOR, VERTICAL 0.75 CENTERLINE SIZE CASE CODE DRAWING NO. A200779 ©-1934768 RESTRICTED TO -
SCALE 1:1 SHEET 2 OF 4 REV B			

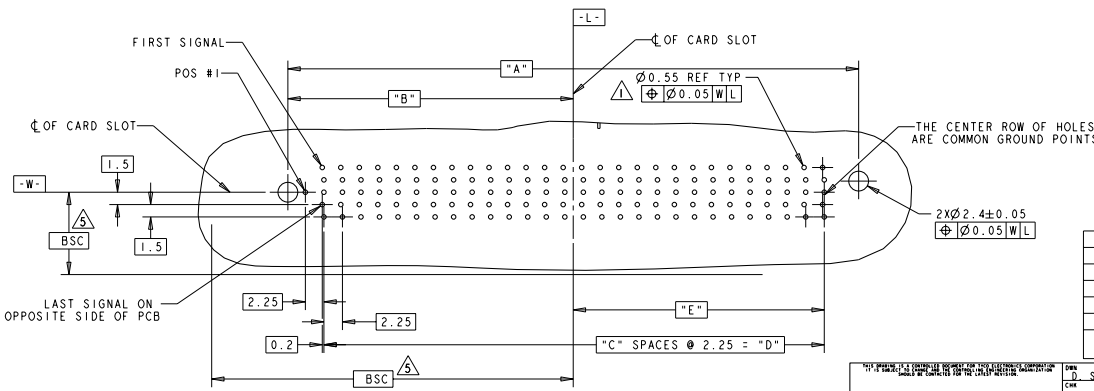
REVISIONS					
P	LYR	DESCRIPTION	DATE	BY	APPR
-		SEE SHEET 1	-	-	-



RECOMMENDED PCB LAYOUT
INDIVIDUAL SIGNAL CONFIGURATION

DIMENSIONS FOR INDIVIDUAL SIGNAL PCB LAYOUT

30.48	61.50	41	34.65	69.30	170
25.61	51.00	34	29.03	58.05	140
21.48	43.50	29	25.65	51.30	122
19.23	39.00	26	23.40	46.80	110
14.36	28.50	19	17.78	35.55	80
7.98	16.50	12	12.15	24.30	50
"E"	"D"	"C"	"B"	"A"	CONNECTOR SIZE



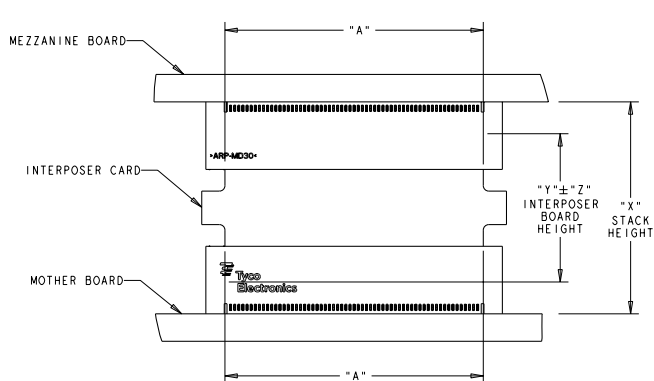
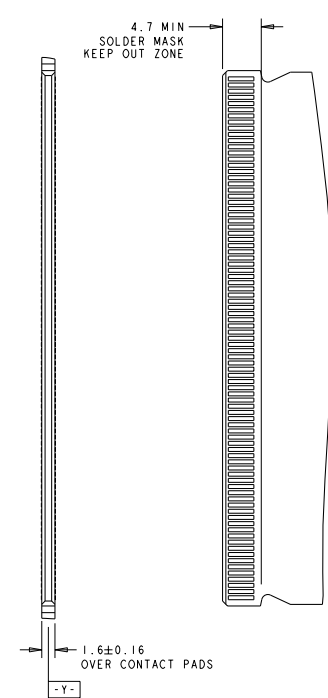
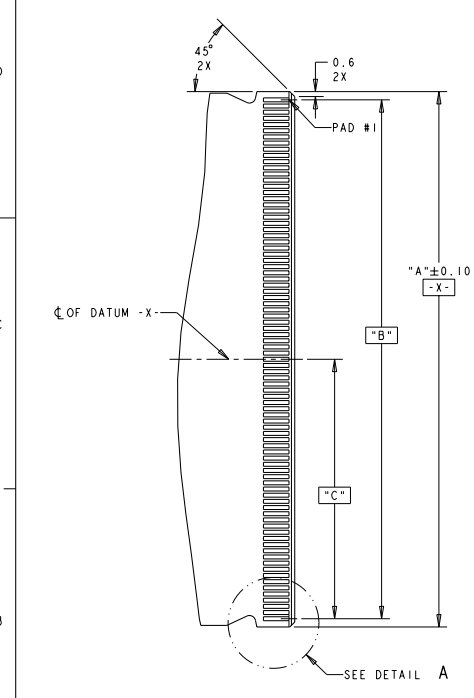
RECOMMENDED PCB LAYOUT
DIFFERENTIAL PAIR CONFIGURATION

DIMENSIONS FOR DIFFERENTIAL PAIR PCB LAYOUT

30.48	60.75	27	34.65	69.30	170
24.86	49.50	22	29.03	58.05	140
21.48	42.75	19	25.65	51.30	122
19.23	38.25	17	23.40	46.80	110
13.61	27.00	12	17.78	35.55	80
7.98	15.75	7	12.15	24.30	50
"E"	"D"	"C"	"B"	"A"	CONNECTOR SIZE

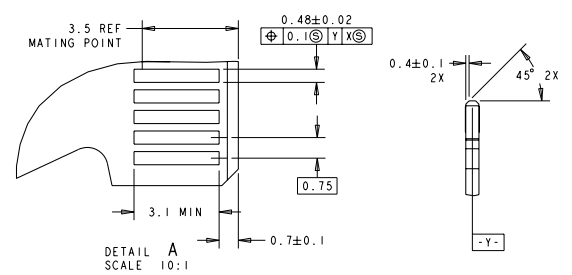
DIMENSIONS: mm TO TOLERANCES UNLESS OTHERWISE SPECIFIED		DWG NO. SZCZESNY DATE 1 JAN 08	Tyco Electronics Harrisburg, PA 17105-3608
0 PLG #0-1 1 PLG #0-5 2 PLG #0-13 3 PLG #0-013 4 PLG #0-008 ANGLES FINISH	PRODUCT SPEC 108-2254 APPLICATION SPEC 114-13180	NAME CARD EDGE CONNECTOR, VERTICAL 0.75 CENTERLINE	
MATERIAL	WEIGHT	SHEET CASE CODE	RESTRICTED TO
-	-	A200779	-
CUSTOMER DRAWING		SCALE 1:1	SHEET 3 OF 4 REV B

REVOLUTIONS		DATE	BY	APPROV
P	LYA			
-	SEE SHEET 1	-	-	-



MEZZANINE APPLICATION
 FOR USE IN PARALLEL STACKING APPLICATIONS
 STACK HEIGHT = INTERPOSER BOARD HEIGHT
 PLUS 11.60 ± 0.20 mm PLUS
 TOLERANCE OF INTERPOSER BOARD
 $X = Y \pm Z + 11.60 \pm 0.2$ mm

RECOMMENDED MATING
 PCB LAYOUT



"C"	"B"	"A"	PADS PER SIDE	CONNECTOR SIZE
31.50	63.00	65.00	85	170
25.88	51.75	53.75	70	140
22.50	45.00	47.00	61	122
20.25	40.50	42.50	55	110
14.63	29.25	31.25	40	80
9.00	18.00	20.00	25	50

TYCO ELECTRONICS CORPORATION HARRISBURG, PA 17105-3608		DATE: 1 JAN 08	BY: SZCZESNY	APP'D:	NAME:
DIMENSIONS: mm		TOLERANCES UNLESS OTHERWISE SPECIFIED:		PRODUCT SPEC: 108-2254	
MATERIAL: -		WEIGHT: -		APPLICATION SPEC: 114-13180	
CUSTOMER DRAWING		SCALE: 2:1		SHEET 4 OF 4	