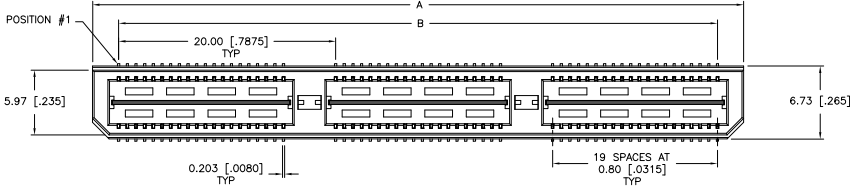
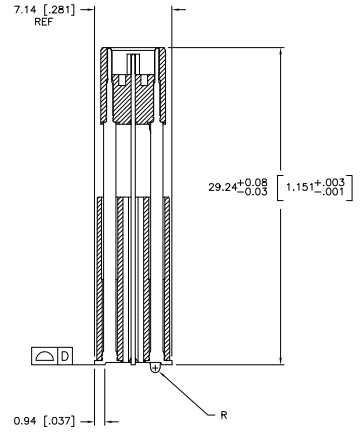
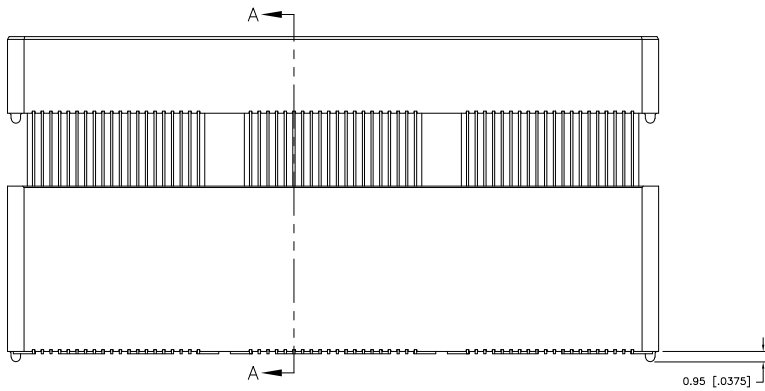


THIS DRAWING IS UNPUBLISHED. RELEASED FOR PUBLICATION. ALL RIGHTS RESERVED. BY TYCO ELECTRONICS CORPORATION.

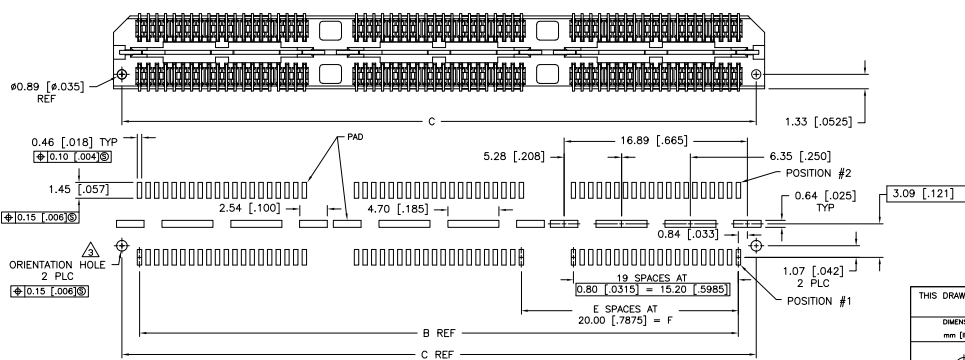
LOC		DIBT		REVISIONS			
AD	00	F	LTR	DESCRIPTION	DATE	BY	APPD
		G		REVISED PER EC 0512-0273-05	19SEP05	JDP	DD



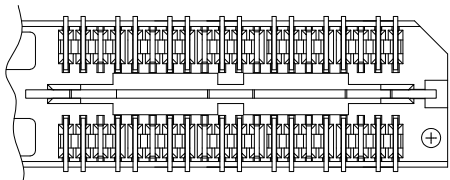
- 1 HOUSING: LCP, BLACK.  
CONTACT & GROUND PLANE: PHOS BRONZE.
- 2 CONTACT PLATING: SELECT GOLD FLASH.
- 3 FOR STANDARD APPLICATIONS, ORIENTATION HOLE TO BE  $\varnothing 1.02$  [0.0400].



SECTION A-A



RECOMMENDED PC BOARD LAYOUT  
(VIEWED FROM CONNECTOR SIDE)



DIFFERENTIAL PAIR LOADING  
(BOTTOM VIEW) SCALE 2:1

THIS DRAWING IS A CONTROLLED DOCUMENT.		BY: B. CARBO	27MAY03	Tyco Electronics Corporation Harrisburg, PA 17105-3608
DRAWN BY: D. DIXON		27MAY03	NAME: HEADER ASSEMBLY, 30.0MM [1.181] VERTICAL. 0.80MM CL. MICTOR SB	
DIMENSIONS: mm [INCHES]		TO: J. DIXON	27MAY03	RESTRICTED TO: -
MATERIAL: -		PRODUCT SPEC: -	APPLICATION SPEC: -	SIZE: A2
FINISH: -		WEIGHT: -	HEIGHT: -	SCALE: 3:1
CUSTOMER DRAWING		DRAWING NO: 00779		SHEET: 1 of 2
		REV: G		

AMP 1471-9 REV 31MAR2000

1658051

A

4

3

2

1

THIS DRAWING IS UNPUBLISHED. RELEASED FOR PUBLICATION  
 © COPYRIGHT BY TYCO ELECTRONICS CORPORATION. ALL RIGHTS RESERVED.

LOC	DIST	REVISIONS					
AD	00	P	LR	DESCRIPTION	DATE	BY	APPD
				SEE SHEET 1			

80.00(3.150)	4	0.152(.0060)	98.50(3.748)	95.20(3.748)	100.00(3.937)	TRAY	YES	140	1-1658051-5
60.00(2.362)	3	0.152(.0060)	78.49(3.090)	75.20(2.961)	80.00(3.150)	TRAY	YES	112	1-1658051-4
40.00(1.575)	2	0.102(.0040)	58.50(2.303)	55.20(2.173)	60.00(2.362)	TRAY	YES	84	1-1658051-3
20.00(.7874)	1	0.102(.0040)	38.48(1.515)	35.20(1.386)	40.00(1.575)	TRAY	YES	56	1-1658051-2
0(.000)	0	0.102(.0040)	18.49(.728)	15.20(.598)	20.00(.787)	TRAY	YES	28	1-1658051-1
80.00(3.150)	4	0.152(.0060)	98.50(3.748)	95.20(3.748)	100.00(3.937)	TRAY	NO	200	1658051-5
60.00(2.362)	3	0.152(.0060)	78.49(3.090)	75.20(2.961)	80.00(3.150)	TRAY	NO	160	1658051-4
40.00(1.575)	2	0.102(.0040)	58.50(2.303)	55.20(2.173)	60.00(2.362)	TRAY	NO	120	1658051-3
20.00(.7874)	1	0.102(.0040)	38.48(1.515)	35.20(1.386)	40.00(1.575)	TRAY	NO	80	1658051-2
0(.000)	0	0.102(.0040)	18.49(.728)	15.20(.598)	20.00(.787)	TRAY	NO	40	1658051-1
F	E	D	C	B	A	PACKAGING TYPE	DIFF. PAIR	NO OF POS	PART NUMBER

THIS DRAWING IS A CONTROLLED DOCUMENT.

DESIGNER: E. CARBO	27MAY03	Tyco Electronics Corporation Harrisburg, PA 17105-3608
CHK: D. DIXON	27MAY03	
DATE: 27MAY03	APPD: D. DIXON	NAME: HEADER ASSEMBLY, 30.0MM [1.181] VERTICAL, 0.80MM CL, MICTOR SB
MATERIAL: SEE SHEET 1	FINISH: SEE SHEET 1	SIZE: A2
		CAGE CODE: 00779
		DRAWING NO: 1658051
		RESTRICTED TO: G
		CUSTOMER DRAWING
		SCALE: 3:1
		SHEET: 2 of 2
		REV: G

1658051

A