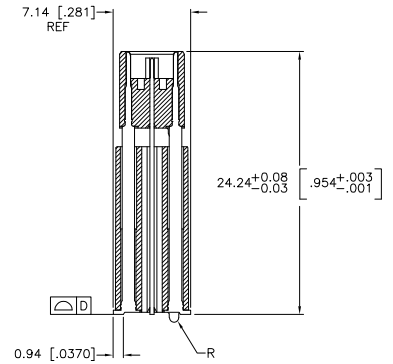
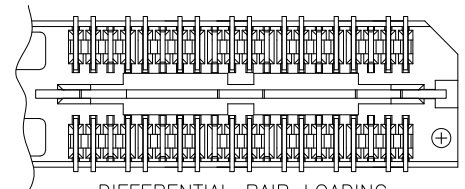


LOC	DIST	REVISIONS					
AD	00	F	LTR	DESCRIPTION	DATE	BY	APPD
		G		REVISED PER EC 0512-0273-05	19SEP05	JDP	DD

- 1 HOUSING: LCP, BLACK. CONTACT & GROUND PLANE: PHOS BRONZE.
- 2 CONTACT PLATING: SELECT GOLD FLASH.
- 3 FOR STANDARD APPLICATIONS, ORIENTATION HOLE TO BE ø1.02 [ø.0400].



SECTION A-A



THIS DRAWING IS A CONTROLLED DOCUMENT.		DWG: B. CARBO 27MAV03 CHK: D. DIXON 27MAV03 D. DIXON 27MAV03 PRODUCT SPEC:	Tyco Electronics Tyco Electronics Corporation Harrisburg, PA 17105-3608
DIMENSIONS: mm [INCHES] TOLERANCES UNLESS OTHERWISE SPECIFIED: 0 PLC ± .3 [0.1] 1 PLC ± 0.15 [0.005] 2 PLC ± 0.05 [0.0025] 3 PLC ± 0.05 [0.0025] 4 PLC ± .3 [0.1] ANGLES ± °	APPLICATION SPEC: — WEIGHT: —	NAME: HEADER ASSEMBLY, 25.0MM [.984] VERTICAL, 0.80MM CL, MICTOR SB SIZE: A2 CASE CODE: 00779 DRAWING NO: 1658050	RESTRICTED TO: — SCALE: 3:1 SHEET: 1 of 2 REV: G
MATERIAL: [Symbol]		CUSTOMER DRAWING	

AMP 1471-9 REV 31MAR2000

1658050

A

4

3

2

1

THIS DRAWING IS UNPUBLISHED. RELEASED FOR PUBLICATION
 © COPYRIGHT BY TYCO ELECTRONICS CORPORATION. ALL RIGHTS RESERVED.

LOC	DIST	REVISIONS		
AD	00	P	LR	DATE

80.00(3.150)	4	0.152(.0060)	98.50(3.748)	95.20(3.748)	100.00(3.937)	TRAY	YES	140	1-1658050-5
60.00(2.362)	3	0.152(.0060)	78.49(3.090)	75.20(2.961)	80.00(3.150)	TRAY	YES	112	1-1658050-4
40.00(1.575)	2	0.102(.0040)	58.50(2.303)	55.20(2.173)	60.00(2.362)	TRAY	YES	84	1-1658050-3
20.00(.7874)	1	0.102(.0040)	38.48(1.515)	35.20(1.386)	40.00(1.575)	TRAY	YES	56	1-1658050-2
0(.000)	0	0.102(.0040)	18.49(.728)	15.20(.598)	20.00(.787)	TRAY	YES	28	1-1658050-1
80.00(3.150)	4	0.152(.0060)	98.50(3.748)	95.20(3.748)	100.00(3.937)	TRAY	NO	200	1658050-5
60.00(2.362)	3	0.152(.0060)	78.49(3.090)	75.20(2.961)	80.00(3.150)	TRAY	NO	160	1658050-4
40.00(1.575)	2	0.102(.0040)	58.50(2.303)	55.20(2.173)	60.00(2.362)	TRAY	NO	120	1658050-3
20.00(.7874)	1	0.102(.0040)	38.48(1.515)	35.20(1.386)	40.00(1.575)	TRAY	NO	80	1658050-2
0(.000)	0	0.102(.0040)	18.49(.728)	15.20(.598)	20.00(.787)	TRAY	NO	40	1658050-1
F	E	D	C	B	A	PACKAGING TYPE	DIFF. PAIR	NO OF POS	PART NUMBER

THIS DRAWING IS A CONTROLLED DOCUMENT.

DIMENSIONS: mm [INCHES]	TO FINISHES UNLESS OTHERWISE SPECIFIED:	DRW: E. CARBO 27MAY03	CHK: D. DIXON 27MAY03	DATE: 27MAY03	NAME: D. DIXON
0 PLG ± .01	1 PLG ± 0.3(0.1)	APPROVALS:			
2 PLG ± 0.15(0.005)	3 PLG ± 0.08(0.0025)	APPLICATION SPEC: —			
4 PLG ± .01	ANGLES ± .5°	WEIGHT: —			
FINISH: SEE SHEET 1		SEE SHEET 1		CUSTOMER DRAWING	

Tyco Electronics Corporation
 Harrisburg, PA 17105-3608
1658050
 Tyco Electronics
 HEADER ASSEMBLY, 25.0MM [.984] VERTICAL, 0.80MM CL, MICTOR SB
 SIZE: A2 00779 C-1658050
 SCALE: 3:1 SHEET: 2 of 2 REV: G
 RESTRICTED TO: —

1658050

A