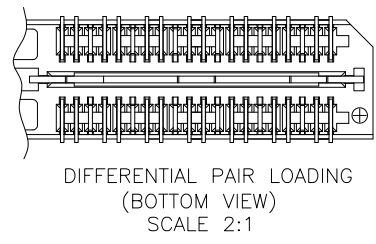
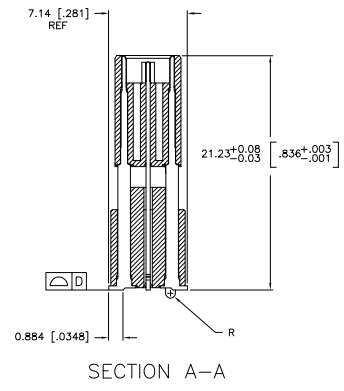


LOC	DIST	REVISIONS					
AD	00	P	LTR	DESCRIPTION	DATE	BY	APP'D
		H		REVISED PER EC 0512-0273-05	19SEP05	JDP	DD

- ⚠ HOUSING: LCP, BLACK.
CONTACT & GROUND PLANE: PHOS BRONZE.
- ⚠ CONTACT PLATING: SELECT GOLD FLASH.
- ⚠ FOR STANDARD APPLICATIONS, ORIENTATION HOLE TO BE $\phi 1.02$ [0.0400].



THIS DRAWING IS A CONTROLLED DOCUMENT.		BY: B. CARBO	27MAY03	Tyco Electronics Corporation Harrisburg, PA 17105-3608
DIMENSIONS: mm [INCHES]		CHK: D. DIXON	27MAY03	
0 PLC ± - 1 PLC ± 0.3[0.1] 2 PLC ± 0.15[0.005] 3 PLC ± 0.08[0.0025] 4 PLC ± ± ± ANGLE FINISH ± ± ±		APP'D: D. DIXON	27MAY03	NAME: HEADER ASSEMBLY, 22.0MM [.866] VERTICAL, 0.80MM CL, MICTOR SB
MATERIAL		APPLICATION SPEC:	WEIGHT:	SIZE: A2
⚠ ⚠		CAGE CODE: 00779	DRAWING NO: 1658049	RESTRICTED TO: -
CUSTOMER DRAWING		SCALE: 3:1		SHEET: 1 of 2

AMP 1471-9 REV 31MAR2000

1658049

A

4

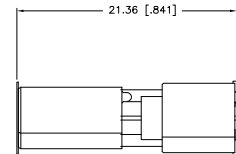
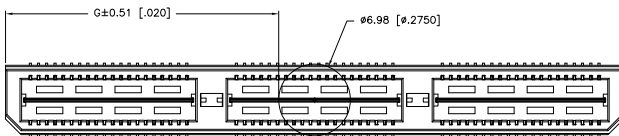
3

2

1

THIS DRAWING IS UNPUBLISHED. RELEASED FOR PUBLICATION
 © COPYRIGHT BY TYCO ELECTRONICS CORPORATION. ALL RIGHTS RESERVED.

LOC	DIST	REVISIONS					
AD	00	F	LTR	DESCRIPTION	DATE	BY	APPD
				SEE SHEET 1			



46.51(1.831)	80.00(3.150)	4	0.152(0.060)	98.50(3.748)	95.20(3.748)	100.00(3.937)	YES	TRAY	YES	140	3-1658049-5
36.53(1.438)	60.00(2.362)	3	0.152(0.060)	78.49(3.090)	75.20(2.961)	80.00(3.150)	YES	TRAY	YES	112	3-1658049-4
26.52(1.044)	40.00(1.575)	2	0.102(0.040)	58.50(2.303)	55.20(2.173)	60.00(2.362)	YES	TRAY	YES	84	3-1658049-3
16.51(.650)	20.00(.7874)	1	0.102(0.040)	38.48(1.515)	35.20(1.386)	40.00(1.575)	YES	TRAY	YES	56	3-1658049-2
6.50(.256)	0(.000)	0	0.102(0.040)	18.49(.728)	15.20(.598)	20.00(.787)	YES	TRAY	YES	28	3-1658049-1
46.51(1.831)	80.00(3.150)	4	0.152(0.060)	98.50(3.748)	95.20(3.748)	100.00(3.937)	YES	TRAY	NO	200	2-1658049-5
36.53(1.438)	60.00(2.362)	3	0.152(0.060)	78.49(3.090)	75.20(2.961)	80.00(3.150)	YES	TRAY	NO	160	2-1658049-4
26.52(1.044)	40.00(1.575)	2	0.102(0.040)	58.50(2.303)	55.20(2.173)	60.00(2.362)	YES	TRAY	NO	120	2-1658049-3
16.51(.650)	20.00(.7874)	1	0.102(0.040)	38.48(1.515)	35.20(1.386)	40.00(1.575)	YES	TRAY	NO	80	2-1658049-2
6.50(.256)	0(.000)	0	0.102(0.040)	18.49(.728)	15.20(.598)	20.00(.787)	YES	TRAY	NO	40	2-1658049-1
-	80.00(3.150)	4	0.152(0.060)	98.50(3.748)	95.20(3.748)	100.00(3.937)	NO	TRAY	YES	140	1-1658049-5
-	60.00(2.362)	3	0.152(0.060)	78.49(3.090)	75.20(2.961)	80.00(3.150)	NO	TRAY	YES	112	1-1658049-4
-	40.00(1.575)	2	0.102(0.040)	58.50(2.303)	55.20(2.173)	60.00(2.362)	NO	TRAY	YES	84	1-1658049-3
-	20.00(.7874)	1	0.102(0.040)	38.48(1.515)	35.20(1.386)	40.00(1.575)	NO	TRAY	YES	56	1-1658049-2
-	0(.000)	0	0.102(0.040)	18.49(.728)	15.20(.598)	20.00(.787)	NO	TRAY	YES	28	1-1658049-1
-	80.00(3.150)	4	0.152(0.060)	98.50(3.748)	95.20(3.748)	100.00(3.937)	NO	TRAY	NO	200	1658049-5
-	60.00(2.362)	3	0.152(0.060)	78.49(3.090)	75.20(2.961)	80.00(3.150)	NO	TRAY	NO	160	1658049-4
-	40.00(1.575)	2	0.102(0.040)	58.50(2.303)	55.20(2.173)	60.00(2.362)	NO	TRAY	NO	120	1658049-3
-	20.00(.7874)	1	0.102(0.040)	38.48(1.515)	35.20(1.386)	40.00(1.575)	NO	TRAY	NO	80	1658049-2
-	0(.000)	0	0.102(0.040)	18.49(.728)	15.20(.598)	20.00(.787)	NO	TRAY	NO	40	1658049-1
G	F	E	D	C	B	A	POLYIMIDE FILM PAD	PACKAGING TYPE	DIFF. PAIRS	NO OF POS	PART NUMBER

THIS DRAWING IS A CONTROLLED DOCUMENT.

DIMENSIONS: mm [INCHES] TO DIMENSIONS UNLESS OTHERWISE SPECIFIED. 0 PLC ± .010 1 PLC ± .015 2 PLC ± .020 3 PLC ± .025 4 PLC ± .030 5 PLC ± .035 6 PLC ± .040 7 PLC ± .045 8 PLC ± .050 9 PLC ± .055 10 PLC ± .060 11 PLC ± .065 12 PLC ± .070 13 PLC ± .075 14 PLC ± .080 15 PLC ± .085 16 PLC ± .090 17 PLC ± .095 18 PLC ± .100 19 PLC ± .105 20 PLC ± .110 21 PLC ± .115 22 PLC ± .120 23 PLC ± .125 24 PLC ± .130 25 PLC ± .135 26 PLC ± .140 27 PLC ± .145 28 PLC ± .150 29 PLC ± .155 30 PLC ± .160 31 PLC ± .165 32 PLC ± .170 33 PLC ± .175 34 PLC ± .180 35 PLC ± .185 36 PLC ± .190 37 PLC ± .195 38 PLC ± .200 39 PLC ± .205 40 PLC ± .210 41 PLC ± .215 42 PLC ± .220 43 PLC ± .225 44 PLC ± .230 45 PLC ± .235 46 PLC ± .240 47 PLC ± .245 48 PLC ± .250 49 PLC ± .255 50 PLC ± .260 51 PLC ± .265 52 PLC ± .270 53 PLC ± .275 54 PLC ± .280 55 PLC ± .285 56 PLC ± .290 57 PLC ± .295 58 PLC ± .300 59 PLC ± .305 60 PLC ± .310 61 PLC ± .315 62 PLC ± .320 63 PLC ± .325 64 PLC ± .330 65 PLC ± .335 66 PLC ± .340 67 PLC ± .345 68 PLC ± .350 69 PLC ± .355 70 PLC ± .360 71 PLC ± .365 72 PLC ± .370 73 PLC ± .375 74 PLC ± .380 75 PLC ± .385 76 PLC ± .390 77 PLC ± .395 78 PLC ± .400 79 PLC ± .405 80 PLC ± .410 81 PLC ± .415 82 PLC ± .420 83 PLC ± .425 84 PLC ± .430 85 PLC ± .435 86 PLC ± .440 87 PLC ± .445 88 PLC ± .450 89 PLC ± .455 90 PLC ± .460 91 PLC ± .465 92 PLC ± .470 93 PLC ± .475 94 PLC ± .480 95 PLC ± .485 96 PLC ± .490 97 PLC ± .495 98 PLC ± .500 99 PLC ± .505 100 PLC ± .510 101 PLC ± .515 102 PLC ± .520 103 PLC ± .525 104 PLC ± .530 105 PLC ± .535 106 PLC ± .540 107 PLC ± .545 108 PLC ± .550 109 PLC ± .555 110 PLC ± .560 111 PLC ± .565 112 PLC ± .570 113 PLC ± .575 114 PLC ± .580 115 PLC ± .585 116 PLC ± .590 117 PLC ± .595 118 PLC ± .600 119 PLC ± .605 120 PLC ± .610 121 PLC ± .615 122 PLC ± .620 123 PLC ± .625 124 PLC ± .630 125 PLC ± .635 126 PLC ± .640 127 PLC ± .645 128 PLC ± .650 129 PLC ± .655 130 PLC ± .660 131 PLC ± .665 132 PLC ± .670 133 PLC ± .675 134 PLC ± .680 135 PLC ± .685 136 PLC ± .690 137 PLC ± .695 138 PLC ± .700 139 PLC ± .705 140 PLC ± .710 141 PLC ± .715 142 PLC ± .720 143 PLC ± .725 144 PLC ± .730 145 PLC ± .735 146 PLC ± .740 147 PLC ± .745 148 PLC ± .750 149 PLC ± .755 150 PLC ± .760 151 PLC ± .765 152 PLC ± .770 153 PLC ± .775 154 PLC ± .780 155 PLC ± .785 156 PLC ± .790 157 PLC ± .795 158 PLC ± .800 159 PLC ± .805 160 PLC ± .810 161 PLC ± .815 162 PLC ± .820 163 PLC ± .825 164 PLC ± .830 165 PLC ± .835 166 PLC ± .840 167 PLC ± .845 168 PLC ± .850 169 PLC ± .855 170 PLC ± .860 171 PLC ± .865 172 PLC ± .870 173 PLC ± .875 174 PLC ± .880 175 PLC ± .885 176 PLC ± .890 177 PLC ± .895 178 PLC ± .900 179 PLC ± .905 180 PLC ± .910 181 PLC ± .915 182 PLC ± .920 183 PLC ± .925 184 PLC ± .930 185 PLC ± .935 186 PLC ± .940 187 PLC ± .945 188 PLC ± .950 189 PLC ± .955 190 PLC ± .960 191 PLC ± .965 192 PLC ± .970 193 PLC ± .975 194 PLC ± .980 195 PLC ± .985 196 PLC ± .990 197 PLC ± .995 198 PLC ± 1.000 199 PLC ± 1.005 200 PLC ± 1.010 201 PLC ± 1.015 202 PLC ± 1.020 203 PLC ± 1.025 204 PLC ± 1.030 205 PLC ± 1.035 206 PLC ± 1.040 207 PLC ± 1.045 208 PLC ± 1.050 209 PLC ± 1.055 210 PLC ± 1.060 211 PLC ± 1.065 212 PLC ± 1.070 213 PLC ± 1.075 214 PLC ± 1.080 215 PLC ± 1.085 216 PLC ± 1.090 217 PLC ± 1.095 218 PLC ± 1.100 219 PLC ± 1.105 220 PLC ± 1.110 221 PLC ± 1.115 222 PLC ± 1.120 223 PLC ± 1.125 224 PLC ± 1.130 225 PLC ± 1.135 226 PLC ± 1.140 227 PLC ± 1.145 228 PLC ± 1.150 229 PLC ± 1.155 230 PLC ± 1.160 231 PLC ± 1.165 232 PLC ± 1.170 233 PLC ± 1.175 234 PLC ± 1.180 235 PLC ± 1.185 236 PLC ± 1.190 237 PLC ± 1.195 238 PLC ± 1.200 239 PLC ± 1.205 240 PLC ± 1.210 241 PLC ± 1.215 242 PLC ± 1.220 243 PLC ± 1.225 244 PLC ± 1.230 245 PLC ± 1.235 246 PLC ± 1.240 247 PLC ± 1.245 248 PLC ± 1.250 249 PLC ± 1.255 250 PLC ± 1.260 251 PLC ± 1.265 252 PLC ± 1.270 253 PLC ± 1.275 254 PLC ± 1.280 255 PLC ± 1.285 256 PLC ± 1.290 257 PLC ± 1.295 258 PLC ± 1.300 259 PLC ± 1.305 260 PLC ± 1.310 261 PLC ± 1.315 262 PLC ± 1.320 263 PLC ± 1.325 264 PLC ± 1.330 265 PLC ± 1.335 266 PLC ± 1.340 267 PLC ± 1.345 268 PLC ± 1.350 269 PLC ± 1.355 270 PLC ± 1.360 271 PLC ± 1.365 272 PLC ± 1.370 273 PLC ± 1.375 274 PLC ± 1.380 275 PLC ± 1.385 276 PLC ± 1.390 277 PLC ± 1.395 278 PLC ± 1.400 279 PLC ± 1.405 280 PLC ± 1.410 281 PLC ± 1.415 282 PLC ± 1.420 283 PLC ± 1.425 284 PLC ± 1.430 285 PLC ± 1.435 286 PLC ± 1.440 287 PLC ± 1.445 288 PLC ± 1.450 289 PLC ± 1.455 290 PLC ± 1.460 291 PLC ± 1.465 292 PLC ± 1.470 293 PLC ± 1.475 294 PLC ± 1.480 295 PLC ± 1.485 296 PLC ± 1.490 297 PLC ± 1.495 298 PLC ± 1.500 299 PLC ± 1.505 300 PLC ± 1.510 301 PLC ± 1.515 302 PLC ± 1.520 303 PLC ± 1.525 304 PLC ± 1.530 305 PLC ± 1.535 306 PLC ± 1.540 307 PLC ± 1.545 308 PLC ± 1.550 309 PLC ± 1.555 310 PLC ± 1.560 311 PLC ± 1.565 312 PLC ± 1.570 313 PLC ± 1.575 314 PLC ± 1.580 315 PLC ± 1.585 316 PLC ± 1.590 317 PLC ± 1.595 318 PLC ± 1.600 319 PLC ± 1.605 320 PLC ± 1.610 321 PLC ± 1.615 322 PLC ± 1.620 323 PLC ± 1.625 324 PLC ± 1.630 325 PLC ± 1.635 326 PLC ± 1.640 327 PLC ± 1.645 328 PLC ± 1.650 329 PLC ± 1.655 330 PLC ± 1.660 331 PLC ± 1.665 332 PLC ± 1.670 333 PLC ± 1.675 334 PLC ± 1.680 335 PLC ± 1.685 336 PLC ± 1.690 337 PLC ± 1.695 338 PLC ± 1.700 339 PLC ± 1.705 340 PLC ± 1.710 341 PLC ± 1.715 342 PLC ± 1.720 343 PLC ± 1.725 344 PLC ± 1.730 345 PLC ± 1.735 346 PLC ± 1.740 347 PLC ± 1.745 348 PLC ± 1.750 349 PLC ± 1.755 350 PLC ± 1.760 351 PLC ± 1.765 352 PLC ± 1.770 353 PLC ± 1.775 354 PLC ± 1.780 355 PLC ± 1.785 356 PLC ± 1.790 357 PLC ± 1.795 358 PLC ± 1.800 359 PLC ± 1.805 360 PLC ± 1.810 361 PLC ± 1.815 362 PLC ± 1.820 363 PLC ± 1.825 364 PLC ± 1.830 365 PLC ± 1.835 366 PLC ± 1.840 367 PLC ± 1.845 368 PLC ± 1.850 369 PLC ± 1.855 370 PLC ± 1.860 371 PLC ± 1.865 372 PLC ± 1.870 373 PLC ± 1.875 374 PLC ± 1.880 375 PLC ± 1.885 376 PLC ± 1.890 377 PLC ± 1.895 378 PLC ± 1.900 379 PLC ± 1.905 380 PLC ± 1.910 381 PLC ± 1.915 382 PLC ± 1.920 383 PLC ± 1.925 384 PLC ± 1.930 385 PLC ± 1.935 386 PLC ± 1.940 387 PLC ± 1.945 388 PLC ± 1.950 389 PLC ± 1.955 390 PLC ± 1.960 391 PLC ± 1.965 392 PLC ± 1.970 393 PLC ± 1.975 394 PLC ± 1.980 395 PLC ± 1.985 396 PLC ± 1.990 397 PLC ± 1.995 398 PLC ± 2.000 399 PLC ± 2.005 400 PLC ± 2.010 401 PLC ± 2.015 402 PLC ± 2.020 403 PLC ± 2.025 404 PLC ± 2.030 405 PLC ± 2.035 406 PLC ± 2.040 407 PLC ± 2.045 408 PLC ± 2.050 409 PLC ± 2.055 410 PLC ± 2.060 411 PLC ± 2.065 412 PLC ± 2.070 413 PLC ± 2.075 414 PLC ± 2.080 415 PLC ± 2.085 416 PLC ± 2.090 417 PLC ± 2.095 418 PLC ± 2.100 419 PLC ± 2.105 420 PLC ± 2.110 421 PLC ± 2.115 422 PLC ± 2.120 423 PLC ± 2.125 424 PLC ± 2.130 425 PLC ± 2.135 426 PLC ± 2.140 427 PLC ± 2.145 428 PLC ± 2.150 429 PLC ± 2.155 430 PLC ± 2.160 431 PLC ± 2.165 432 PLC ± 2.170 433 PLC ± 2.175 434 PLC ± 2.180 435 PLC ± 2.185 436 PLC ± 2.190 437 PLC ± 2.195 438 PLC ± 2.200 439 PLC ± 2.205 440 PLC ± 2.210 441 PLC ± 2.215 442 PLC ± 2.220 443 PLC ± 2.225 444 PLC ± 2.230 445 PLC ± 2.235 446 PLC ± 2.240 447 PLC ± 2.245 448 PLC ± 2.250 449 PLC ± 2.255 450 PLC ± 2.260 451 PLC ± 2.265 452 PLC ± 2.270 453 PLC ± 2.275 454 PLC ± 2.280 455 PLC ± 2.285 456 PLC ± 2.290 457 PLC ± 2.295 458 PLC ± 2.300 459 PLC ± 2.305 460 PLC ± 2.310 461 PLC ± 2.315 462 PLC ± 2.320 463 PLC ± 2.325 464 PLC ± 2.330 465 PLC ± 2.335 466 PLC ± 2.340 467 PLC ± 2.345 468 PLC ± 2.350 469 PLC ± 2.355 470 PLC ± 2.360 471 PLC ± 2.365 472 PLC ± 2.370 473 PLC ± 2.375 474 PLC ± 2.380 475 PLC ± 2.385 476 PLC ± 2.390 477 PLC ± 2.395 478 PLC ± 2.400 479 PLC ± 2.405 480 PLC ± 2.410 481 PLC ± 2.415 482 PLC ± 2.420 483 PLC ± 2.425 484 PLC ± 2.430 485 PLC ± 2.435 486 PLC ± 2.440 487 PLC ± 2.445 488 PLC ± 2.450 489 PLC ± 2.455 490 PLC ± 2.460 491 PLC ± 2.465 492 PLC ± 2.470 493 PLC ± 2.475 494 PLC ± 2.480 495 PLC ± 2.485 496 PLC ± 2.490 497 PLC ± 2.495 498 PLC ± 2.500 499 PLC ± 2.505 500 PLC ± 2.510 501 PLC ± 2.515 502 PLC ± 2.520 503 PLC ± 2.525 504 PLC ± 2.530 505 PLC ± 2.535 506 PLC ± 2.540 507 PLC ± 2.545 508 PLC ± 2.550 509 PLC ± 2.555 510 PLC ± 2.560 511 PLC ± 2.565 512 PLC ± 2.570 513 PLC ± 2.575 514 PLC ± 2.580 515 PLC ± 2.585 516 PLC ± 2.590 517 PLC ± 2.595 518 PLC ± 2.600 519 PLC ± 2.605 520 PLC ± 2.610 521 PLC ± 2.615 522 PLC ± 2.620 523 PLC ± 2.625 524 PLC ± 2.630 525 PLC ± 2.635 526 PLC ± 2.640 527 PLC ± 2.645 528 PLC ± 2.650 529 PLC ± 2.655 530 PLC ± 2.660 531 PLC ± 2.665 532 PLC ± 2.670 533 PLC ± 2.675 534 PLC ± 2.680 535 PLC ± 2.685 536 PLC ± 2.690 537 PLC ± 2.695 538 PLC ± 2.700 539 PLC ± 2.705 540 PLC ± 2.710 541 PLC ± 2.715 542 PLC ± 2.720 543 PLC ± 2.725 544 PLC ± 2.730 545 PLC ± 2.735 546 PLC ± 2.740 547 PLC ± 2.745 548 PLC ± 2.750 549 PLC ± 2.755 550 PLC ± 2.760 551 PLC ± 2.765 552 PLC ± 2.770 553 PLC ± 2.775 554 PLC ± 2.780 555 PLC ± 2.785 556 PLC ± 2.790 557 PLC ± 2.795 558 PLC ± 2.800 559 PLC ± 2.805 560 PLC ± 2.810 561 PLC ± 2.815 562 PLC ± 2.820 563 PLC ± 2.825 564 PLC ± 2.830 565 PLC ± 2.835 566 PLC ± 2.840 567 PLC ± 2.845 568 PLC ± 2.850 569 PLC ± 2.855 570 PLC ± 2.860 571 PLC ± 2.865 572 PLC ± 2.870 573 PLC ± 2.875 574 PLC ± 2.880 575 PLC ± 2.885 576 PLC ± 2.890 577 PLC ± 2.895 578 PLC ± 2.900 579 PLC ± 2.905 580 PLC ± 2.910 581 PLC ± 2.915 58
--