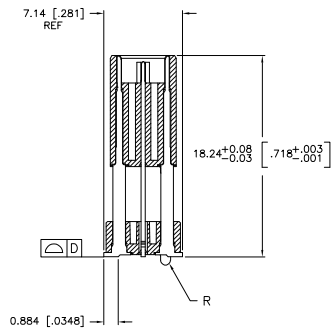
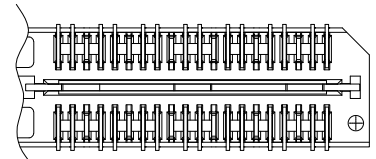


LOC	DIST	REVISIONS					
AD	00	P	LTR	DESCRIPTION	DATE	BY	APPD
		H		REVISED PER EC 0512-0273-05	19SEP05	JDP	DD

- ⚠ HOUSING: LCP, BLACK.  
CONTACT & GROUND PLANE: PHOS BRONZE.
- ⚠ CONTACT PLATING: SELECT GOLD FLASH.
- ⚠ FOR STANDARD APPLICATIONS, ORIENTATION HOLE TO BE ø1.02 [ø.0400].



SECTION A-A



DIFFERENTIAL PAIR LOADING (BOTTOM VIEW) SCALE 2:1

THIS DRAWING IS A CONTROLLED DOCUMENT.		REV	B. CARBO	23MAY03	Tyco Electronics Corporation
		CHK	D. DIXON	23MAY03	Harrisburg, PA 17105-3608
		APPD	D. DIXON	23MAY03	
		NAME	HEADER ASSEMBLY, 19.0MM [.748] VERTICAL, 0.80MM CL, MICTOR SB		
DIMENSIONS: mm [INCHES]		APPLICATION SPEC	SIZE	CAGE CODE	DRAWING NO.
0 PLC ± — 1 PLC ± 0.3(0.1) 2 PLC ± 0.15(0.005) 3 PLC ± 0.08(.0025) 4 PLC ± ± ± ANGLE FINISH ± ± ±		WEIGHT	A2	00779	1658048
MATERIAL		RESTRICTED TO	CUSTOMER DRAWING		
		SCALE	3:1		
		SHEET	1 of 2		
		REV	H		

AMP 1471-9 REV 31MAR2000

1658048

A

4

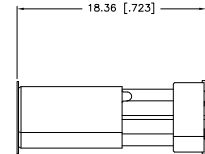
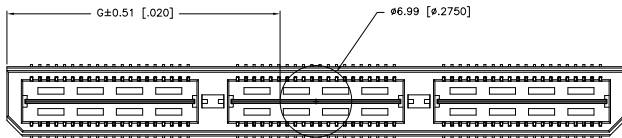
3

2

1

THIS DRAWING IS UNPUBLISHED. RELEASED FOR PUBLICATION  
 © COPYRIGHT BY TYCO ELECTRONICS CORPORATION. ALL RIGHTS RESERVED.

LOC	DIBT	REVISIONS				
		P	LR	DATE	BYN	APD
AD	00			SEE SHEET 1		



46.51(1.831)	80.00(3.150)	4	0.152(.0060)	98.50(3.748)	95.20(3.748)	100.00(3.937)	YES	TRAY	YES	140	3-1658048-5
36.53(1.438)	60.00(2.362)	3	0.152(.0060)	78.49(3.090)	75.20(2.961)	80.00(3.150)	YES	TRAY	YES	112	3-1658048-4
26.52(1.044)	40.00(1.575)	2	0.102(.0040)	58.50(2.303)	55.20(2.173)	60.00(2.362)	YES	TRAY	YES	84	3-1658048-3
16.51(.650)	20.00(.7874)	1	0.102(.0040)	38.48(1.515)	35.20(1.386)	40.00(1.575)	YES	TRAY	YES	56	3-1658048-2
6.50(.256)	0(.000)	0	0.102(.0040)	18.49(.728)	15.20(.598)	20.00(.787)	YES	TRAY	YES	28	3-1658048-1
46.51(1.831)	80.00(3.150)	4	0.152(.0060)	98.50(3.748)	95.20(3.748)	100.00(3.937)	YES	TRAY	NO	200	2-1658048-5
36.53(1.438)	60.00(2.362)	3	0.152(.0060)	78.49(3.090)	75.20(2.961)	80.00(3.150)	YES	TRAY	NO	160	2-1658048-4
26.52(1.044)	40.00(1.575)	2	0.102(.0040)	58.50(2.303)	55.20(2.173)	60.00(2.362)	YES	TRAY	NO	120	2-1658048-3
16.51(.650)	20.00(.7874)	1	0.102(.0040)	38.48(1.515)	35.20(1.386)	40.00(1.575)	YES	TRAY	NO	80	2-1658048-2
6.50(.256)	0(.000)	0	0.102(.0040)	18.49(.728)	15.20(.598)	20.00(.787)	YES	TRAY	NO	40	2-1658048-1
-	80.00(3.150)	4	0.152(.0060)	98.50(3.748)	95.20(3.748)	100.00(3.937)	NO	TRAY	YES	140	1-1658048-5
-	60.00(2.362)	3	0.152(.0060)	78.49(3.090)	75.20(2.961)	80.00(3.150)	NO	TRAY	YES	112	1-1658048-4
-	40.00(1.575)	2	0.102(.0040)	58.50(2.303)	55.20(2.173)	60.00(2.362)	NO	TRAY	YES	84	1-1658048-3
-	20.00(.7874)	1	0.102(.0040)	38.48(1.515)	35.20(1.386)	40.00(1.575)	NO	TRAY	YES	56	1-1658048-2
-	0(.000)	0	0.102(.0040)	18.49(.728)	15.20(.598)	20.00(.787)	NO	TRAY	YES	28	1-1658048-1
-	80.00(3.150)	4	0.152(.0060)	98.50(3.748)	95.20(3.748)	100.00(3.937)	NO	TRAY	NO	200	1658048-5
-	60.00(2.362)	3	0.152(.0060)	78.49(3.090)	75.20(2.961)	80.00(3.150)	NO	TRAY	NO	160	1658048-4
-	40.00(1.575)	2	0.102(.0040)	58.50(2.303)	55.20(2.173)	60.00(2.362)	NO	TRAY	NO	120	1658048-3
-	20.00(.7874)	1	0.102(.0040)	38.48(1.515)	35.20(1.386)	40.00(1.575)	NO	TRAY	NO	80	1658048-2
-	0(.000)	0	0.102(.0040)	18.49(.728)	15.20(.598)	20.00(.787)	NO	TRAY	NO	40	1658048-1
G	F	E	D	C	B	A	POLYIMIDE	PACKAGING	DIFF.	NO OF	PART
							FILM PAD	TYPE	PAIRS	POS	NUMBER

THIS DRAWING IS A CONTROLLED DOCUMENT.

DESIGNED BY: B. CARBO	DATE: 23MAY03	TYCO ELECTRONICS CORPORATION
CHECKED BY: D. DIXON	DATE: 23MAY03	Harrisburg, PA 17105-3608
APPROVED BY: D. DIXON	DATE: 23MAY03	
PRODUCT SPEC:		NAME: <b>Tyco Electronics</b>
APPLICATION SPEC:		HEADER ASSEMBLY, 19.0MM [.748] VERTICAL, 0.80MM CL, MICTOR SB
WEIGHT:		SIZE: A2
CUSTOMER DRAWING	SEE SHEET 1	CAGE CODE: 00779
		DRAWING NO: 1658048
		RESTRICTED TO: -
		SCALE: 3:1
		SHEET: 2 of 2
		REV: H

1658048

A