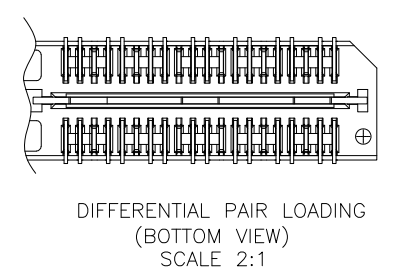
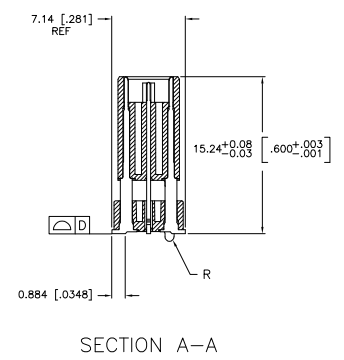


LOC	DIST	REVISIONS			
F	LTR	DESCRIPTION	DATE	BY	APPD
AD	00	H	REVISED PER EC 0512-0273-05	19SEP05	JDP DD

- 1 HOUSING: LCP, BLACK.  
CONTACT & GROUND PLANE: PHOS BRONZE.
- 2 CONTACT PLATING: SELECT GOLD FLASH.
- 3 FOR STANDARD APPLICATIONS, ORIENTATION HOLE TO BE  $\phi 1.02$  [ $\phi 0.0400$ ].



THIS DRAWING IS A CONTROLLED DOCUMENT.		DWG: B. CARBO 23MAY03 CHK: D. DIXON 23MAY03 APPD: D. DIXON 23MAY03 PRODUCT SPEC:	<b>Tyco Electronics</b> Tyco Electronics Corporation Harrisburg, PA 17105-3608
DIMENSIONS: mm [INCHES]	TO DIMENSIONS UNLESS SPECIFIED: 0 PLC ± — 1 PLC ± 0.30 [0.1] 2 PLC ± 0.15 [0.005] 3 PLC ± 0.08 [0.0025] 4 PLC ± ± ± ANGLE: ± ± ± FINISH:	NAME: HEADER ASSEMBLY, 16.0MM [0.630] VERTICAL, 0.80MM CL, MICTOR SB	RESTRICTED TO:
MATERIAL:	WEIGHT: —	SIZE: A2 CAGE CODE: 00779 DRAWING NO: 1658047	SCALE: 3:1 SHEET: 1 of 2 REV: H
CUSTOMER DRAWING			

AMP 1471-9 REV 31MAR2000

1658047

4

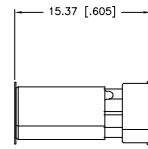
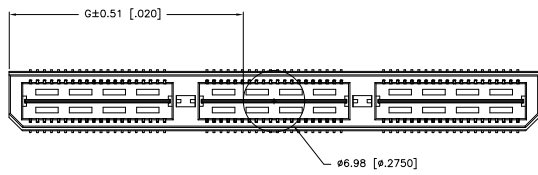
3

2

1

THIS DRAWING IS UNPUBLISHED. RELEASED FOR PUBLICATION  
 © COPYRIGHT BY TYCO ELECTRONICS CORPORATION. ALL RIGHTS RESERVED.

LOC	DIST	REVISIONS					
AD	00	P	LR	DESCRIPTION	DATE	DN	APD
				SEE SHEET 1			



26.52(1.044)	40.00(1.575)	2	0 102(0040)	58.50(2.303)	55.20(2.173)	60.00(2.362)	YES	POCKET TAPE	YES	84	7-1658047-3
16.51(650)	20.00(7874)	1	0 102(0040)	38.48(1.515)	35.20(1.386)	40.00(1.575)	YES	POCKET TAPE	YES	56	7-1658047-2
6.50(256)	0(000)	0	0 102(0040)	18.48(728)	15.20(598)	20.00(787)	YES	POCKET TAPE	YES	28	7-1658047-1
26.52(1.044)	40.00(1.575)	2	0 102(0040)	58.50(2.303)	55.20(2.173)	60.00(2.362)	YES	POCKET TAPE	NO	120	6-1658047-3
16.51(650)	20.00(7874)	1	0 102(0040)	38.48(1.515)	35.20(1.386)	40.00(1.575)	YES	POCKET TAPE	NO	80	6-1658047-2
6.50(256)	0(000)	0	0 102(0040)	18.48(728)	15.20(598)	20.00(787)	YES	POCKET TAPE	NO	40	6-1658047-1
-	40.00(1.575)	2	0 102(0040)	58.50(2.303)	55.20(2.173)	60.00(2.362)	NO	POCKET TAPE	YES	84	5-1658047-3
-	20.00(7874)	1	0 102(0040)	38.48(1.515)	35.20(1.386)	40.00(1.575)	NO	POCKET TAPE	YES	56	5-1658047-2
-	0(000)	0	0 102(0040)	18.48(728)	15.20(598)	20.00(787)	NO	POCKET TAPE	YES	28	5-1658047-1
-	40.00(1.575)	2	0 102(0040)	58.50(2.303)	55.20(2.173)	60.00(2.362)	NO	POCKET TAPE	NO	120	4-1658047-3
-	20.00(7874)	1	0 102(0040)	38.48(1.515)	35.20(1.386)	40.00(1.575)	NO	POCKET TAPE	NO	80	4-1658047-2
-	0(000)	0	0 102(0040)	18.48(728)	15.20(598)	20.00(787)	NO	POCKET TAPE	NO	40	4-1658047-1
46.51(1.831)	80.00(3.150)	4	0 152(0060)	98.50(3.748)	95.20(3.748)	100.00(3.937)	YES	TRAY	YES	140	3-1658047-5
36.53(1.438)	60.00(2.362)	3	0 152(0060)	78.49(3.090)	75.20(2.961)	80.00(3.150)	YES	TRAY	YES	112	3-1658047-4
26.52(1.044)	40.00(1.575)	2	0 102(0040)	58.50(2.303)	55.20(2.173)	60.00(2.362)	YES	TRAY	YES	84	3-1658047-3
16.51(650)	20.00(7874)	1	0 102(0040)	38.48(1.515)	35.20(1.386)	40.00(1.575)	YES	TRAY	YES	56	3-1658047-2
6.50(256)	0(000)	0	0 102(0040)	18.48(728)	15.20(598)	20.00(787)	YES	TRAY	YES	28	3-1658047-1
46.51(1.831)	80.00(3.150)	4	0 152(0060)	98.50(3.748)	95.20(3.748)	100.00(3.937)	YES	TRAY	NO	200	2-1658047-5
36.53(1.438)	60.00(2.362)	3	0 152(0060)	78.49(3.090)	75.20(2.961)	80.00(3.150)	YES	TRAY	NO	160	2-1658047-4
26.52(1.044)	40.00(1.575)	2	0 102(0040)	58.50(2.303)	55.20(2.173)	60.00(2.362)	YES	TRAY	NO	120	2-1658047-3
16.51(650)	20.00(7874)	1	0 102(0040)	38.48(1.515)	35.20(1.386)	40.00(1.575)	YES	TRAY	NO	80	2-1658047-2
6.50(256)	0(000)	0	0 102(0040)	18.48(728)	15.20(598)	20.00(787)	YES	TRAY	NO	40	2-1658047-1
-	80.00(3.150)	4	0 152(0060)	98.50(3.748)	95.20(3.748)	100.00(3.937)	NO	TRAY	YES	140	1-1658047-5
-	60.00(2.362)	3	0 152(0060)	78.49(3.090)	75.20(2.961)	80.00(3.150)	NO	TRAY	YES	112	1-1658047-4
-	40.00(1.575)	2	0 102(0040)	58.50(2.303)	55.20(2.173)	60.00(2.362)	NO	TRAY	YES	84	1-1658047-3
-	20.00(7874)	1	0 102(0040)	38.48(1.515)	35.20(1.386)	40.00(1.575)	NO	TRAY	YES	56	1-1658047-2
-	0(000)	0	0 102(0040)	18.48(728)	15.20(598)	20.00(787)	NO	TRAY	YES	28	1-1658047-1
-	80.00(3.150)	4	0 152(0060)	98.50(3.748)	95.20(3.748)	100.00(3.937)	NO	TRAY	NO	200	1658047-5
-	60.00(2.362)	3	0 152(0060)	78.49(3.090)	75.20(2.961)	80.00(3.150)	NO	TRAY	NO	160	1658047-4
-	40.00(1.575)	2	0 102(0040)	58.50(2.303)	55.20(2.173)	60.00(2.362)	NO	TRAY	NO	120	1658047-3
-	20.00(7874)	1	0 102(0040)	38.48(1.515)	35.20(1.386)	40.00(1.575)	NO	TRAY	NO	80	1658047-2
-	0(000)	0	0 102(0040)	18.48(728)	15.20(598)	20.00(787)	NO	TRAY	NO	40	1658047-1
G	F	E	D	C	B	A		POLYIMIDE FILM PAD			

THIS DRAWING IS A CONTROLLED DOCUMENT.

DIMENSIONS: mm [INCHES] TO TOLERANCES UNLESS OTHERWISE SPECIFIED: 0 P.L.C. ± .01 1 P.L.C. ± 0.3(.01) 2 P.L.C. ± 0.15(.005) 3 P.L.C. ± 0.08(.0025) 4 P.L.C. ± .01 ANGLES ± .5° FINISH	DIM: B CARBO 23MAV03 CHK: D DIXON 23MAV03 APD: D DIXON 23MAV03 PRODUCT SPEC: -- APPLICATION SPEC: -- WEIGHT: -- CUSTOMER DRAWING	Tyco Electronics Corporation Harrisburg, PA 17105-3608 <b>1658047</b> Tyco Electronics Corporation Harrisburg, PA 17105-3608 HEADER ASSEMBLY, 16.0MM [0.630] VERTICAL, 0.80MM CL, MICTOR SB SIZE: A2 00779 SCALE: 3:1 SHEET: 2 of 2 REV: H
---	--	---