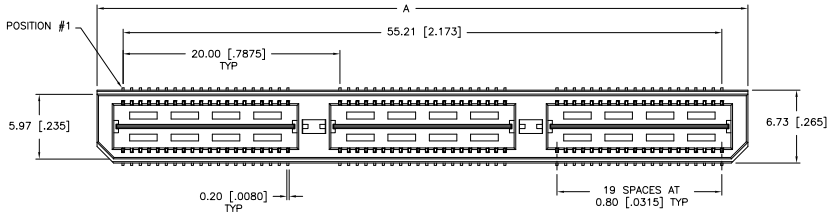
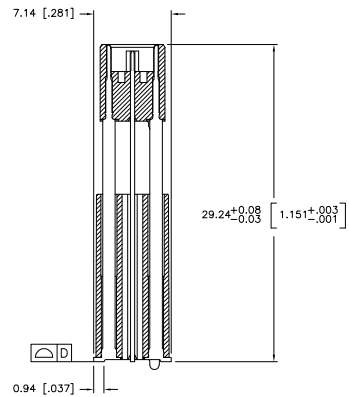
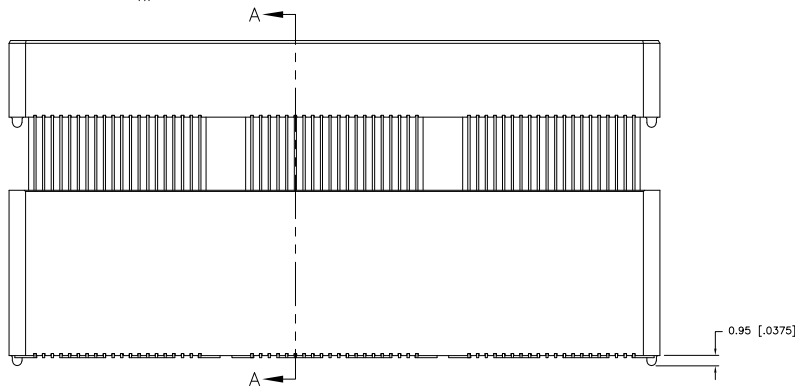


THIS DRAWING IS UNPUBLISHED. RELEASED FOR PUBLICATION.  
 © COPYRIGHT BY TYCO ELECTRONICS CORPORATION. ALL RIGHTS RESERVED.

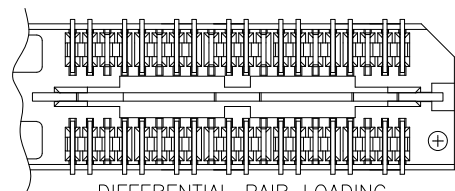
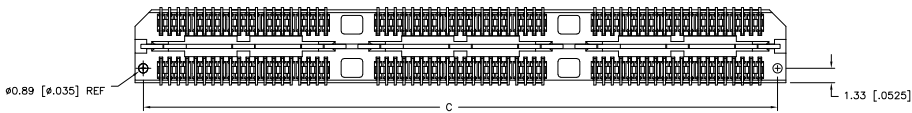
LOC	DIST	REVISIONS		DATE	BY	APP'D
AD	00	F	LTR			
		J		REVISED PER EC 0512-0187-05	17OCT05	JDP DD



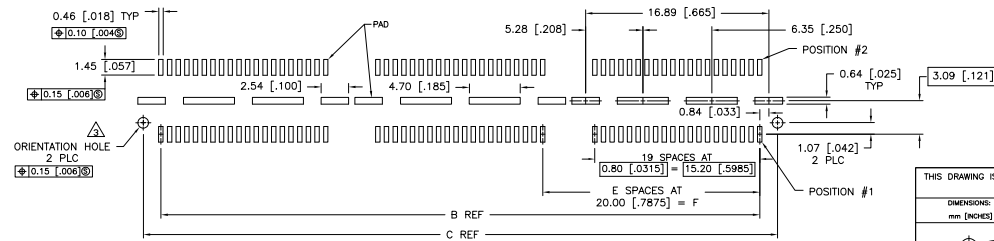
- 1 HOUSING: LCP, BLACK.  
CONTACT & GROUND PLANE: PHOS BRONZE.
- 2 CONTACT PLATING: SELECT 0.25 MICROMETERS (.000010 IN.) MIN GOLD.
- 3 FOR STANDARD APPLICATIONS, ORIENTATION HOLE TO BE  $\phi 1.02$  [ $\phi 0.400$ ].



SECTION A-A



DIFFERENTIAL PAIR LOADING  
(BOTTOM VIEW)  
SCALE 2:1



RECOMMENDED PC BOARD LAYOUT  
(VIEWED FROM CONNECTOR SIDE)

THIS DRAWING IS A CONTROLLED DOCUMENT.		REV: B CARBO 04FE003	Tyco Electronics Corporation
DIMENSIONS: mm [INCHES]		CHK: D. DIXON 04FE003	Harrisburg, PA 17105-3608
TO FINISHES UNLESS OTHERWISE SPECIFIED:		APP'D: D. DIXON 04FE003	NAME: Tyco Electronics
0 PLC ±	1 PLC ± 0.3(0.1)	PRODUCT SPEC: —	HEADER ASSEMBLY, 30.0MM [1.181] VERTICAL, 0.80MM CL, MICTOR SB
2 PLC ± 0.15(0.005)	3 PLC ± 0.08(0.0025)	APPLICATION SPEC: —	SIZE: A2 CASE CODE: 00779 DRAWING NO: 1658020
4 PLC ± ± 7	ANGLE: —	WEIGHT: —	RESTRICTED TO: —
MATERIAL: —	FINISH: —	CUSTOMER DRAWING	SCALE: 3:1 SHEET: 1 of 2 REV: J

AMP 1471-9 REV 31MAR2000

1658020

A

4

3

2

1

THIS DRAWING IS UNPUBLISHED. RELEASED FOR PUBLICATION  
 © COPYRIGHT BY TYCO ELECTRONICS CORPORATION. ALL RIGHTS RESERVED.

LOC	DIST	REVISIONS				
AD	00	P	LR	DATE	BY	APPD
				SEE SHEET 1		

80.00(3.150)	4	0.152(.0060)	98.50(3.748)	95.20(3.748)	100.00(3.937)	TRAY	YES	140	1-1658020-5
60.00(2.362)	3	0.152(.0060)	78.49(3.090)	75.20(2.961)	80.00(3.150)	TRAY	YES	112	1-1658020-4
40.00(1.575)	2	0.102(.0040)	58.50(2.303)	55.20(2.173)	60.00(2.362)	TRAY	YES	84	1-1658020-3
20.00(.7874)	1	0.102(.0040)	38.48(1.515)	35.20(1.386)	40.00(1.575)	TRAY	YES	56	1-1658020-2
0(.000)	0	0.102(.0040)	18.49(.728)	15.20(.598)	20.00(.787)	TRAY	YES	28	1-1658020-1
80.00(3.150)	4	0.152(.0060)	98.50(3.748)	95.20(3.748)	100.00(3.937)	TRAY	NO	200	1658020-5
60.00(2.362)	3	0.152(.0060)	78.49(3.090)	75.20(2.961)	80.00(3.150)	TRAY	NO	160	1658020-4
40.00(1.575)	2	0.102(.0040)	58.50(2.303)	55.20(2.173)	60.00(2.362)	TRAY	NO	120	1658020-3
20.00(.7874)	1	0.102(.0040)	38.48(1.515)	35.20(1.386)	40.00(1.575)	TRAY	NO	80	1658020-2
0(.000)	0	0.102(.0040)	18.49(.728)	15.20(.598)	20.00(.787)	TRAY	NO	40	1658020-1
F	E	D	C	B	A	PACKAGING TYPE	DIFF. PAIR	NO OF POS	PART NUMBER

THIS DRAWING IS A CONTROLLED DOCUMENT.

DIMENSIONS: mm [INCHES]	TO FINISHES UNLESS OTHERWISE SPECIFIED: 0. PLG ± .1 1. PLG ± 0.3(0.1) 2. PLG ± 0.15(0.005) 3. PLG ± 0.05(0.0025) 4. PLG ± .1 ANGLES ± .1°	DWG: B. CARBO 04FE003 CHK: D. DIXON 04FE003 D. DIXON 04FE003 PRODUCT SPEC: APPLICATION SPEC: WEIGHT: — FINISH: —	<b>Tyco Electronics</b> Tyco Electronics Corporation Harrisburg, PA 17105-3608 NAME: HEADER ASSEMBLY, 30.0MM [1.181] VERTICAL, 0.80MM CL, MICTOR SB SIZE: A2 CASE CODE: 00779 DRAWING NO: 1658020 RESTRICTED TO: — SCALE: 3:1 SHEET: 2 of 2 REV: J
----------------------------	---	--	--

CUSTOMER DRAWING

1658020

A