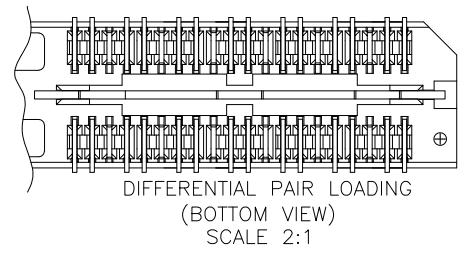
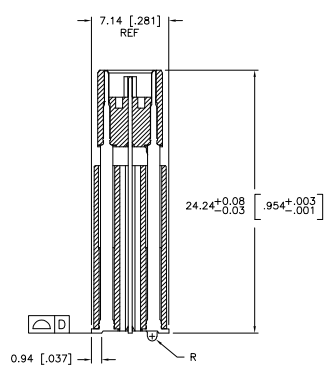


LOC	DIST	REVISIONS					
AD	00	F	LTR	DESCRIPTION	DATE	BY	APPD
		H		REVISED PER EC 0512-0273-05	19SEP05	JDP	DD

- 1 HOUSING: LCP, BLACK.  
CONTACT & GROUND PLANE: PHOS BRONZE.
- 2 CONTACT PLATING: SELECT 0.25 MICROMETERS (.000010 IN) MIN GOLD.
- 3 FOR STANDARD APPLICATIONS, ORIENTATION HOLE TO BE Ø1.02 [Ø.0400].



THIS DRAWING IS A CONTROLLED DOCUMENT.		DWG: B. CARBO 04FE003 CHK: D. DIXON 04FE003 APPD: D. DIXON 04FE003 PRODUCT SPEC:	<b>Tyco Electronics</b> Tyco Electronics Corporation Harrisburg, PA 17105-3608
DIMENSIONS: mm [INCHES]	TO MANUFACTURE: 0 PLC ± .1 1 PLC ± 0.3(0.1) 2 PLC ± 0.15(0.005) 3 PLC ± 0.05(0.0025) 4 PLC ± .1 ANGLE: ± 7° FINISH:	NAME: HEADER ASSEMBLY, 25.0MM [.984] VERTICAL, 0.80MM CL, MICTOR SB APPLICATION SPEC:	SIZE: A2 CASE CODE: 00779 DRAWING NO: 1658019 RESTRICTED TO:
MATERIAL:	FINISH:	WEIGHT:	SCALE: 3:1 SHEET 1 of 2 REV H
CUSTOMER DRAWING			

AMP 1471-9 REV 31MAR2000

1658019

4

3

2


1

THIS DRAWING IS UNPUBLISHED. RELEASED FOR PUBLICATION  
 © COPYRIGHT BY TYCO ELECTRONICS CORPORATION. ALL RIGHTS RESERVED.

LOC	DIST	REVISIONS					
AD	00	P	LR	DESCRIPTION	DATE	BY	APPD
				SEE SHEET 1			

80.00(3.150)	4	0.152(.0060)	98.50(3.748)	95.20(3.748)	100.00(3.937)	TRAY	YES	140	1-1658019-5
60.00(2.362)	3	0.152(.0060)	78.49(3.090)	75.20(2.961)	80.00(3.150)	TRAY	YES	112	1-1658019-4
40.00(1.575)	2	0.102(.0040)	58.50(2.303)	55.20(2.173)	60.00(2.362)	TRAY	YES	84	1-1658019-3
20.00(.7874)	1	0.102(.0040)	38.48(1.515)	35.20(1.386)	40.00(1.575)	TRAY	YES	56	1-1658019-2
0(.000)	0	0.102(.0040)	18.49(.728)	15.20(.598)	20.00(.787)	TRAY	YES	28	1-1658019-1
80.00(3.150)	4	0.152(.0060)	98.50(3.748)	95.20(3.748)	100.00(3.937)	TRAY	NO	200	1658019-5
60.00(2.362)	3	0.152(.0060)	78.49(3.090)	75.20(2.961)	80.00(3.150)	TRAY	NO	160	1658019-4
40.00(1.575)	2	0.102(.0040)	58.50(2.303)	55.20(2.173)	60.00(2.362)	TRAY	NO	120	1658019-3
20.00(.7874)	1	0.102(.0040)	38.48(1.515)	35.20(1.386)	40.00(1.575)	TRAY	NO	80	1658019-2
0(.000)	0	0.102(.0040)	18.49(.728)	15.20(.598)	20.00(.787)	TRAY	NO	40	1658019-1
F	E	D	C	B	A	PACKAGING TYPE	DIFF. PAIR	NO OF POS	PART NUMBER

THIS DRAWING IS A CONTROLLED DOCUMENT.

DESIGNED BY: E. CARBO	DATE: 04FE03	 Tyco Electronics Corporation Harrisburg, PA 17105-3608
CHECKED BY: D. DIXON	DATE: 04FE03	
DRAWN BY: D. DIXON	DATE: 04FE03	NAME: HEADER ASSEMBLY, 25.0MM [.984] VERTICAL, 0.80MM CL, MICTOR SB
PRODUCT SPEC: —	APPLICATION SPEC: —	
MATERIAL: —	FINISH: —	RESTRICTED TO: —
SEE SHEET 1	SEE SHEET 1	SCALE: 3:1 SHEET 2 of 2 REV H

CUSTOMER DRAWING

1658019

A