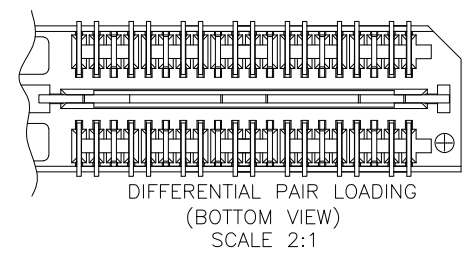
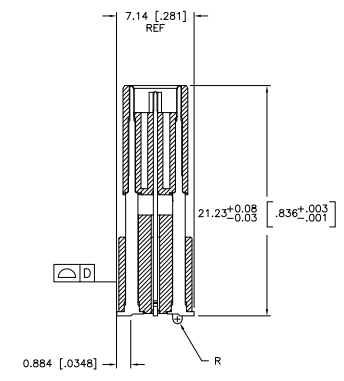


LOC	DIST	REVISIONS					
AD	00	P	LTR	DESCRIPTION	DATE	BY	APPD
		K		REVISED PER EC 0512-0273-05	19SEP05	JDP	DD

- ⚠ HOUSING: LCP, BLACK.
CONTACT & GROUND PLANE: PHOS BRONZE.
- ⚠ CONTACT PLATING: SELECT 0.25 MICROMETERS (.000010 IN.) MIN. GOLD.
- ⚠ FOR STANDARD APPLICATIONS, ORIENTATION HOLE TO BE ø1.02 [ø.040].



THIS DRAWING IS A CONTROLLED DOCUMENT.		DWG: B. CARBO 30MAY03 CHK: D. DIXON 30MAY03 D. DIXON 30MAY03 PRODUCT SPEC:	Tyco Electronics Tyco Electronics Corporation Harrisburg, PA 17105-3608
DIMENSIONS: mm [INCHES]	TO MANUFACTURE: SEE DIMENSIONS AND FINISH.	NAME: HEADER ASSEMBLY, 22.0MM [.866] VERTICAL, 0.80MM CL, MICTOR SB	RESTRICTED TO:
0 PLC ± .1 1 PLC ± 0.3(0.1) 2 PLC ± 0.15(0.05) 3 PLC ± 0.05(0.025) 4 PLC ± .1 ANGLE: ± .5 FINISH:	APPLICATION SPEC:	SIZE: A2 CASE CODE: 00779 DRAWING NO: 1658018	SHEET: 1 of 2 REV: K
MATERIAL:		CUSTOMER DRAWING	SCALE: 3:1

AMP 1471-9 REV 31MAR2000

1658018

4

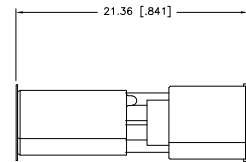
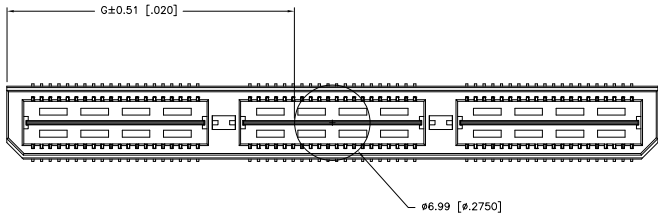
3

2

1

THIS DRAWING IS UNPUBLISHED. RELEASED FOR PUBLICATION
 © COPYRIGHT BY TYCO ELECTRONICS CORPORATION. ALL RIGHTS RESERVED.

LOC	DIST	REVISIONS					
AD	00	P	L/R	DESCRIPTION	DATE	BY	APP'D
				SEE SHEET 1			



46.51(1.831)	80.00(3.150)	4	0.152(.0060)	98.50(3.748)	95.20(3.748)	100.00(3.937)	YES	TRAY	YES	140	3-1658018-5
36.53(1.438)	60.00(2.362)	3	0.152(.0060)	78.49(3.090)	75.20(2.961)	80.00(3.150)	YES	TRAY	YES	112	3-1658018-4
26.52(1.044)	40.00(1.575)	2	0.102(.0040)	58.50(2.303)	55.20(2.173)	60.00(2.362)	YES	TRAY	YES	84	3-1658018-3
16.51(.650)	20.00(.7874)	1	0.102(.0040)	38.48(1.515)	35.20(1.386)	40.00(1.575)	YES	TRAY	YES	56	3-1658018-2
6.50(.256)	0(.000)	0	0.102(.0040)	18.49(.728)	15.20(.598)	20.00(.787)	YES	TRAY	YES	28	3-1658018-1
46.51(1.831)	80.00(3.150)	4	0.152(.0060)	98.50(3.748)	95.20(3.748)	100.00(3.937)	YES	TRAY	NO	200	2-1658018-5
36.53(1.438)	60.00(2.362)	3	0.152(.0060)	78.49(3.090)	75.20(2.961)	80.00(3.150)	YES	TRAY	NO	160	2-1658018-4
26.52(1.044)	40.00(1.575)	2	0.102(.0040)	58.50(2.303)	55.20(2.173)	60.00(2.362)	YES	TRAY	NO	120	2-1658018-3
16.51(.650)	20.00(.7874)	1	0.102(.0040)	38.48(1.515)	35.20(1.386)	40.00(1.575)	YES	TRAY	NO	80	2-1658018-2
6.50(.256)	0(.000)	0	0.102(.0040)	18.49(.728)	15.20(.598)	20.00(.787)	YES	TRAY	NO	40	2-1658018-1
-	80.00(3.150)	4	0.152(.0060)	98.50(3.748)	95.20(3.748)	100.00(3.937)	NO	TRAY	YES	140	1-1658018-5
-	60.00(2.362)	3	0.152(.0060)	78.49(3.090)	75.20(2.961)	80.00(3.150)	NO	TRAY	YES	112	1-1658018-4
-	40.00(1.575)	2	0.102(.0040)	58.50(2.303)	55.20(2.173)	60.00(2.362)	NO	TRAY	YES	84	1-1658018-3
-	20.00(.7874)	1	0.102(.0040)	38.48(1.515)	35.20(1.386)	40.00(1.575)	NO	TRAY	YES	56	1-1658018-2
-	0(.000)	0	0.102(.0040)	18.49(.728)	15.20(.598)	20.00(.787)	NO	TRAY	YES	28	1-1658018-1
-	80.00(3.150)	4	0.152(.0060)	98.50(3.748)	95.20(3.748)	100.00(3.937)	NO	TRAY	NO	200	1658018-5
-	60.00(2.362)	3	0.152(.0060)	78.49(3.090)	75.20(2.961)	80.00(3.150)	NO	TRAY	NO	160	1658018-4
-	40.00(1.575)	2	0.102(.0040)	58.50(2.303)	55.20(2.173)	60.00(2.362)	NO	TRAY	NO	120	1658018-3
-	20.00(.7874)	1	0.102(.0040)	38.48(1.515)	35.20(1.386)	40.00(1.575)	NO	TRAY	NO	80	1658018-2
-	0(.000)	0	0.102(.0040)	18.49(.728)	15.20(.598)	20.00(.787)	NO	TRAY	NO	40	1658018-1
G	F	E	D	C	B	A	POLYIMIDE FILM PAD ▲	PACKAGING TYPE	DIFF. PAIRS	NO OF POS	PART NUMBER

THIS DRAWING IS A CONTROLLED DOCUMENT.

DIMENSIONS: mm [INCHES] TO FINISHES UNLESS SPECIFIED: 0 PLG ± .01 1 PLG ± 0.3(0.1) 2 PLG ± 0.13(0.005) 3 PLG ± 0.08(0.0025) 4 PLG ± .01 FINISH: ANGLE: ± .1	DIM: B. CARBO 30MMX3 C/K: D. DIXON 30MMX3 P/P: D. DIXON 30MMX3 NAME: Tyco Electronics Tyco Electronics Corporation Harrisburg, PA 17105-3608 PRODUCT SPEC: APPLICATION SPEC: WEIGHT:	HEADER ASSEMBLY, 22.0MM [.866] VERTICAL, 0.80MM CL, MICTOR SB SIZE: A2 CAGE CODE: 00779 DRAWING NO: 1658018 RESTRICTED TO: — SCALE: 3:1 SHEET: 2 of 2 REV: K
---	--	---

CUSTOMER DRAWING

1658018

A