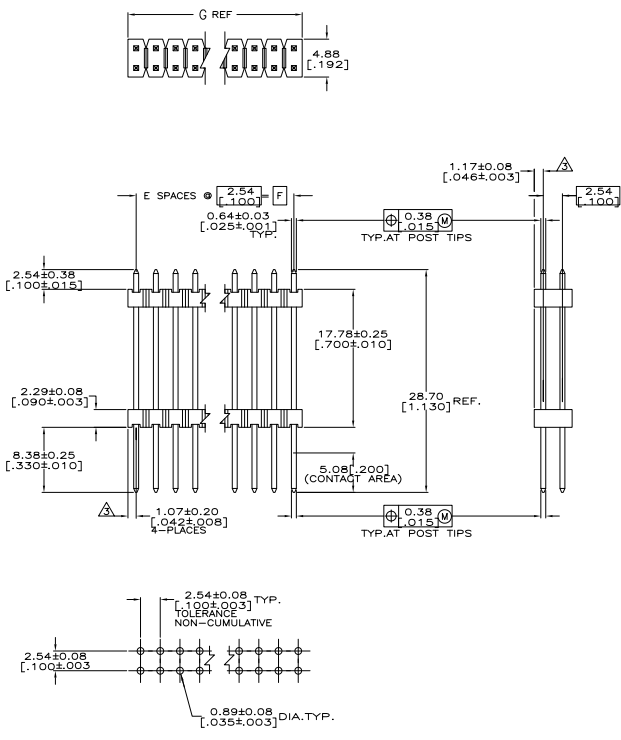


- ASSEMBLY MAY BE BROKEN TO THE DESIRED NUMBER OF POSITIONS
 - TRUE POSITION TOLERANCE OF THE POST TIPS APPLIES WHEN THE HEADER IS HELD FLAT AGAINST THE PRINTED CIRCUIT BOARD
- ▲ THE NOTED DIMENSIONS APPLY AT THE INTERSECTION OF THE POST AND HOUSING
 ▲ HOUSING: FLAME RETARDANT THERMOPLASTIC; COLOR: BLACK.
 ▲ FINISH: 0.000381 [0.00015] GOLD ON CONTACT AREA, 0.00254-0.00508 [0.00100-0.00200] MATTE TIN-LEAD ON SOLDER TAIL, ALL OVER 0.00127 [0.00050] NICKEL.
 ▲ FINISH: 0.000381 [0.00015] GOLD ON CONTACT AREA, 0.00254-0.00508 [0.00100-0.00200] MATTE TIN ON SOLDER TAIL, ALL OVER 0.00127 [0.00050] NICKEL.

| PLATING | G | F | E | NO. OF POSITIONS | PART NUMBER | |
|---------|--------|-------|---|------------------|-------------|------------|
| ▲ | 101.19 | 99.08 | | 39 | 80 | 9-146500-0 |
| ▲ | 98.85 | 96.55 | | 38 | 78 | 8-146500-9 |
| ▲ | 96.11 | 93.98 | | 37 | 76 | 8-146500-8 |
| ▲ | 93.57 | 91.44 | | 36 | 74 | 8-146500-7 |
| ▲ | 91.03 | 88.90 | | 35 | 72 | 8-146500-6 |
| ▲ | 88.49 | 86.36 | | 34 | 70 | 8-146500-5 |
| ▲ | 85.95 | 83.82 | | 33 | 68 | 8-146500-4 |
| ▲ | 83.41 | 81.28 | | 32 | 66 | 8-146500-3 |
| ▲ | 80.87 | 78.74 | | 31 | 64 | 8-146500-2 |
| ▲ | 78.33 | 76.20 | | 30 | 62 | 8-146500-1 |
| ▲ | 75.79 | 73.66 | | 29 | 60 | 8-146500-0 |
| ▲ | 73.25 | 71.12 | | 28 | 58 | 7-146500-9 |
| ▲ | 70.71 | 68.58 | | 27 | 56 | 7-146500-8 |
| ▲ | 68.17 | 66.04 | | 26 | 54 | 7-146500-7 |
| ▲ | 65.63 | 63.50 | | 25 | 52 | 7-146500-6 |
| ▲ | 63.09 | 60.96 | | 24 | 50 | 7-146500-5 |
| ▲ | 60.55 | 58.42 | | 23 | 48 | 7-146500-4 |
| ▲ | 58.01 | 55.88 | | 22 | 46 | 7-146500-3 |
| ▲ | 55.47 | 53.34 | | 21 | 44 | 7-146500-2 |
| ▲ | 52.93 | 50.80 | | 20 | 42 | 7-146500-1 |
| ▲ | 50.39 | 48.26 | | 19 | 40 | 7-146500-0 |
| ▲ | 47.85 | 45.72 | | 18 | 38 | 6-146500-9 |
| ▲ | 45.31 | 43.18 | | 17 | 36 | 6-146500-8 |
| ▲ | 42.77 | 40.64 | | 16 | 34 | 6-146500-7 |
| ▲ | 40.23 | 38.10 | | 15 | 32 | 6-146500-6 |
| ▲ | 37.69 | 35.56 | | 14 | 30 | 6-146500-5 |
| ▲ | 35.15 | 33.02 | | 13 | 28 | 6-146500-4 |
| ▲ | 32.61 | 30.48 | | 12 | 26 | 6-146500-3 |
| ▲ | 30.07 | 27.94 | | 11 | 24 | 6-146500-2 |
| ▲ | 27.53 | 25.40 | | 10 | 22 | 6-146500-1 |
| ▲ | 24.99 | 22.86 | | 9 | 20 | 6-146500-0 |
| ▲ | 22.45 | 20.32 | | 8 | 18 | 5-146500-9 |
| ▲ | 19.91 | 17.78 | | 7 | 16 | 5-146500-8 |
| ▲ | 17.37 | 15.24 | | 6 | 14 | 5-146500-7 |
| ▲ | 14.83 | 12.70 | | 5 | 12 | 5-146500-6 |
| ▲ | 12.29 | 10.16 | | 4 | 10 | 5-146500-5 |
| ▲ | 9.75 | 7.62 | | 3 | 8 | 5-146500-4 |
| ▲ | 7.21 | 5.08 | | 2 | 6 | 5-146500-3 |
| ▲ | 4.67 | 2.54 | | 1 | 4 | 5-146500-2 |
| ▲ | 2.13 | 0.00 | | 2 | 5-146500-1 | |

| PLATING | G | F | E | NO. OF POSITIONS | PART NUMBER | |
|---------|--------|-------|---|------------------|-------------|------------|
| ▲ | 101.19 | 99.08 | | 39 | 80 | 4-146500-0 |
| ▲ | 98.85 | 96.55 | | 38 | 78 | 3-146500-9 |
| ▲ | 96.11 | 93.98 | | 37 | 76 | 3-146500-8 |
| ▲ | 93.57 | 91.44 | | 36 | 74 | 3-146500-7 |
| ▲ | 91.03 | 88.90 | | 35 | 72 | 3-146500-6 |
| ▲ | 88.49 | 86.36 | | 34 | 70 | 3-146500-5 |
| ▲ | 85.95 | 83.82 | | 33 | 68 | 3-146500-4 |
| ▲ | 83.41 | 81.28 | | 32 | 66 | 3-146500-3 |
| ▲ | 80.87 | 78.74 | | 31 | 64 | 3-146500-2 |
| ▲ | 78.33 | 76.20 | | 30 | 62 | 3-146500-1 |
| ▲ | 75.79 | 73.66 | | 29 | 60 | 3-146500-0 |
| ▲ | 73.25 | 71.12 | | 28 | 58 | 2-146500-9 |
| ▲ | 70.71 | 68.58 | | 27 | 56 | 2-146500-8 |
| ▲ | 68.17 | 66.04 | | 26 | 54 | 2-146500-7 |
| ▲ | 65.63 | 63.50 | | 25 | 52 | 2-146500-6 |
| ▲ | 63.09 | 60.96 | | 24 | 50 | 2-146500-5 |
| ▲ | 60.55 | 58.42 | | 23 | 48 | 2-146500-4 |
| ▲ | 58.01 | 55.88 | | 22 | 46 | 2-146500-3 |
| ▲ | 55.47 | 53.34 | | 21 | 44 | 2-146500-2 |
| ▲ | 52.93 | 50.80 | | 20 | 42 | 2-146500-1 |
| ▲ | 50.39 | 48.26 | | 19 | 40 | 2-146500-0 |
| ▲ | 47.85 | 45.72 | | 18 | 38 | 1-146500-9 |
| ▲ | 45.31 | 43.18 | | 17 | 36 | 1-146500-8 |
| ▲ | 42.77 | 40.64 | | 16 | 34 | 1-146500-7 |
| ▲ | 40.23 | 38.10 | | 15 | 32 | 1-146500-6 |
| ▲ | 37.69 | 35.56 | | 14 | 30 | 1-146500-5 |
| ▲ | 35.15 | 33.02 | | 13 | 28 | 1-146500-4 |
| ▲ | 32.61 | 30.48 | | 12 | 26 | 1-146500-3 |
| ▲ | 30.07 | 27.94 | | 11 | 24 | 1-146500-2 |
| ▲ | 27.53 | 25.40 | | 10 | 22 | 1-146500-1 |
| ▲ | 24.99 | 22.86 | | 9 | 20 | 1-146500-0 |
| ▲ | 22.45 | 20.32 | | 8 | 18 | 146500-9 |
| ▲ | 19.91 | 17.78 | | 7 | 16 | 146500-8 |
| ▲ | 17.37 | 15.24 | | 6 | 14 | 146500-7 |
| ▲ | 14.83 | 12.70 | | 5 | 12 | 146500-6 |
| ▲ | 12.29 | 10.16 | | 4 | 10 | 146500-5 |
| ▲ | 9.75 | 7.62 | | 3 | 8 | 146500-4 |
| ▲ | 7.21 | 5.08 | | 2 | 6 | 146500-3 |
| ▲ | 4.67 | 2.54 | | 1 | 4 | 146500-2 |
| ▲ | 2.13 | 0.00 | | 2 | 5-146500-1 | |



RECOMMENDED HOLE LAYOUT

THIS DRAWING IS A CONTROLLED DOCUMENT: (11-2007-24)

INCHES: 1:1
 MILLIMETERS: 1:1
 UNLESS OTHERWISE SPECIFIED: (11-2007-24)

THIS DRAWING IS A CONTROLLED DOCUMENT: (11-2007-24)
 UNLESS OTHERWISE SPECIFIED: (11-2007-24)

CUSTOMER DRAWING: A100779 (G=146500)
 SHEET: 4/1 OF 1