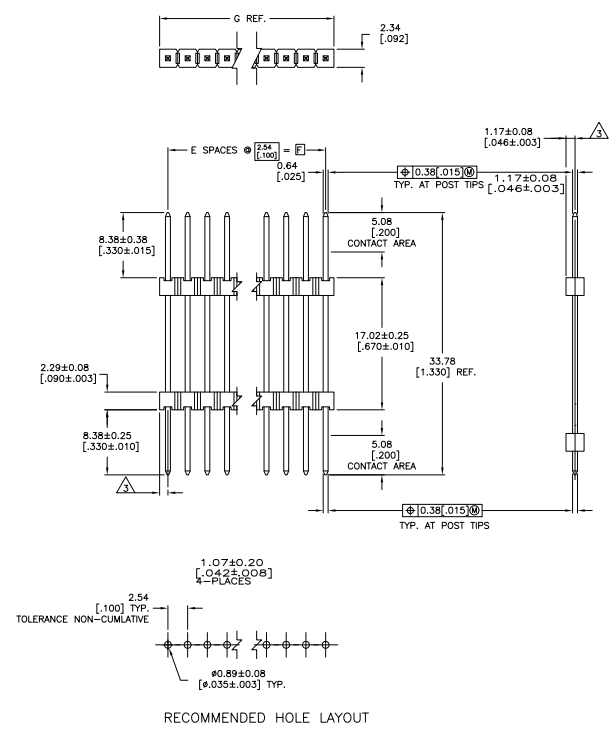


THIS DRAWING IS UNPUBLISHED
 ALL RIGHTS RESERVED

REV	DATE	DESCRIPTION	BY	CHK	APP
AD 39		REVISED PER ECO-11-004820			



- ASSEMBLY MAY BE BROKEN TO THE DESIRED NUMBER OF POSITIONS
 TRUE POSITION TOLERANCE OF THE POST TIPS APPLIES WHEN THE HEADER IS HELD FLAT AGAINST THE PRINTED CIRCUIT BOARD
 - THE NOTED DIMENSIONS APPLY AT THE INTERSECTION OF THE POST AND HOUSING
- ▲ HOUSING: FLAME RETARDANT THERMOPLASTIC; COLOR: BLACK.
 ▲ FINISH: 0.000381 [0.00015] GOLD ON CONTACT AREA.
 ▲ ALL OVER 0.00127 [0.00050] NICKEL ENTIRE POST.

REV	DATE	DESCRIPTION	BY	CHK	APP
101.19	99.06	39	40	4-146479-0	
98.65	96.52	38	39	3-146479-9	
96.11	93.98	37	38	3-146479-8	
93.57	91.44	36	37	3-146479-7	
91.03	88.90	35	36	3-146479-6	
88.49	86.36	34	35	3-146479-5	
85.95	83.82	33	34	3-146479-4	
83.41	81.28	32	33	3-146479-3	
80.87	78.74	31	32	3-146479-2	
78.33	76.20	30	31	3-146479-1	
75.79	73.66	29	30	3-146479-0	
73.25	71.12	28	29	2-146479-9	
70.71	68.58	27	28	2-146479-8	
68.17	66.04	26	27	2-146479-7	
65.63	63.50	25	26	2-146479-6	
63.09	60.96	24	25	2-146479-5	
60.55	58.42	23	24	2-146479-4	
58.01	55.88	22	23	2-146479-3	
55.47	53.34	21	22	2-146479-2	
52.93	50.80	20	21	2-146479-1	
50.39	48.26	19	20	2-146479-0	
47.85	45.72	18	19	1-146479-9	
45.31	43.18	17	18	1-146479-8	
42.77	40.64	16	17	1-146479-7	
40.23	38.10	15	16	1-146479-6	
37.69	35.56	14	15	1-146479-5	
35.15	33.02	13	14	1-146479-4	
32.61	30.48	12	13	1-146479-3	
30.07	27.94	11	12	1-146479-2	
27.53	25.40	10	11	1-146479-1	
24.99	22.86	9	10	1-146479-0	
22.45	20.32	8	9	146479-9	
19.91	17.78	7	8	146479-8	
17.37	15.24	6	7	146479-7	
14.83	12.70	5	6	146479-6	
12.29	10.16	4	5	146479-5	
9.75	7.62	3	4	146479-4	
7.21	5.08	2	3	146479-3	
4.67	2.54	1	2	146479-2	
2.13	-	-	1	146479-1	
G	F	E	NG. OF POSITIONS	PART NUMBER	

THIS DRAWING IS A CONTROLLED DOCUMENT.

INCHES: []
 MILLIMETERS: []
 DECIMALS: []
 FRACTIONS: []
 ANGLES: []
 TOLERANCES: []
 DIMENSIONS: []
 SURF FINISH: []
 MATERIAL: []

DATE: 11-08-27
 DRAWING NO: 100779
 PART NO: 146479

CUSTOMER DRAWING
 SHEET 4.1 OF 1 P.