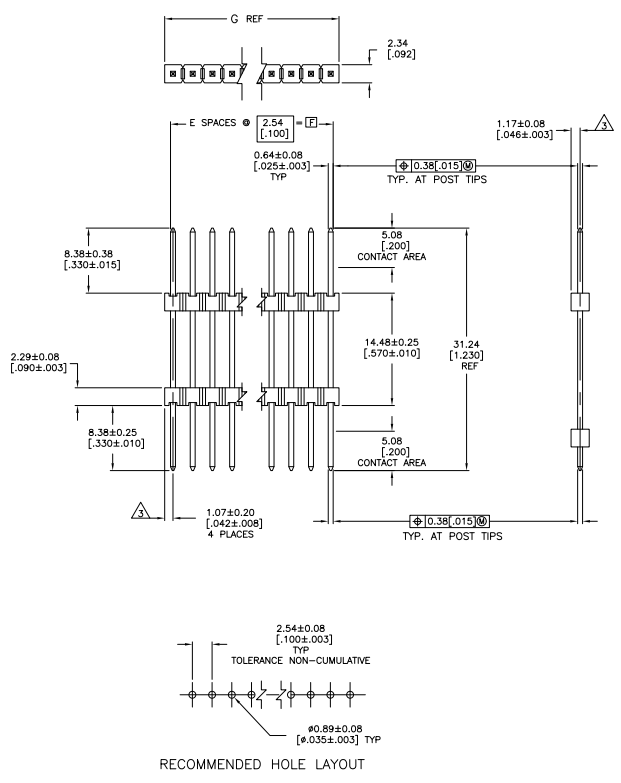


THIS DRAWING IS UNPUBLISHED
 ALL RIGHTS RESERVED

REV	DATE	DESCRIPTION	BY	CHK	APP
AD 39		REVISED PER EDD-11-004820			

- ASSEMBLY MAY BE BROKEN TO THE DESIRED NUMBER OF POSITIONS
 - TRUE POSITION TOLERANCE OF THE POST TIPS APPLIES WHEN THE HEADER IS HELD FLAT AGAINST THE PRINTED CIRCUIT BOARD
- △ THE NOTED DIMENSIONS APPLY AT THE INTERSECTION OF THE POST AND HOUSING
 - △ HOUSING: FLAME RETARDANT THERMOPLASTIC; COLOR: BLACK.
 - △ FINISH: 0.000381 [0.00015] GOLD ON CONTACT AREA, ALL OVER 0.00127 [0.00050] NICKEL ENTIRE POST.



101.191	99.06	39	40	4-146476-0
13.98	13.900			
98.85	96.50	38	39	3-146476-9
3.88	3.800			
96.11	93.98	37	38	3-146476-8
3.78	3.700			
93.5	91.44	36	37	3-146476-7
3.684	3.600			
91.03	88.90	35	36	3-146476-6
3.584	3.500			
88.49	86.36	34	35	3-146476-5
3.484	3.400			
85.99	83.82	33	34	3-146476-4
3.384	3.300			
83.41	81.28	32	33	3-146476-3
3.284	3.200			
80.87	78.74	31	32	3-146476-2
3.184	3.100			
78.31	76.20	30	31	3-146476-1
3.084	3.000			
75.79	73.66	29	30	3-146476-0
2.984	2.900			
73.21	71.10	28	29	2-146476-9
2.884	2.800			
70.7	68.58	27	28	2-146476-8
2.784	2.700			
68.1	66.04	26	27	2-146476-7
2.684	2.600			
65.63	63.50	25	26	2-146476-6
2.584	2.500			
63.09	60.96	24	25	2-146476-5
2.484	2.400			
60.55	58.42	23	24	2-146476-4
2.384	2.300			
58.01	55.88	22	23	2-146476-3
2.284	2.200			
55.47	53.34	21	22	2-146476-2
2.184	2.100			
52.93	50.80	20	21	2-146476-1
2.084	2.000			
50.39	48.26	19	20	2-146476-0
1.984	1.900			
47.85	45.72	18	19	1-146476-9
1.884	1.800			
45.31	43.18	17	18	1-146476-8
1.784	1.700			
42.77	40.64	16	17	1-146476-7
1.684	1.600			
40.23	38.10	15	16	1-146476-6
1.584	1.500			
37.69	35.56	14	15	1-146476-5
1.484	1.400			
35.15	33.02	13	14	1-146476-4
1.384	1.300			
32.61	30.48	12	13	1-146476-3
1.284	1.200			
30.07	27.94	11	12	1-146476-2
1.184	1.100			
27.53	25.40	10	11	1-146476-1
1.084	1.000			
24.99	22.86	9	10	1-146476-0
984	900			
22.45	20.32	8	9	146476-9
884	800			
19.91	17.78	7	8	146476-8
784	700			
17.37	15.24	6	7	146476-7
684	600			
14.83	12.70	5	6	146476-6
584	500			
12.29	10.16	4	5	146476-5
484	400			
9.75	7.62	3	4	146476-4
384	300			
7.21	5.08	2	3	146476-3
284	200			
4.67	2.54	1	2	146476-2
184	100			
2.13	0			
84				
G	F	E	NO. OF POSITIONS	PART NUMBER

THIS DRAWING IS A CONTROLLED DOCUMENT. DATE: 11-20-07

TE Connectivity

TE CONNECTIVITY
 TE Connectivity

HEADER ASSEMBLY, MOD II,
 STACKING, SINGLE ROW,
 .025 SQ POST, UNSHROUDED

SIZE: 4.1 DRAWING NO: A100779 G=146476

CUSTOMER DRAWING