

4

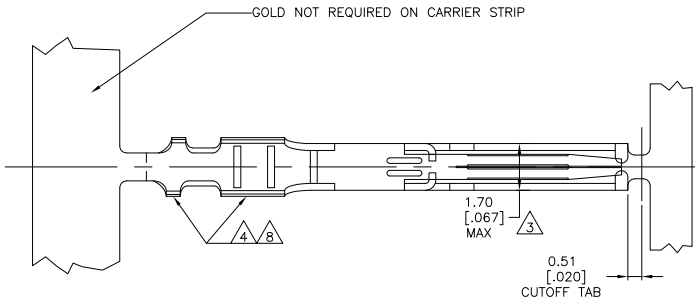
3

2

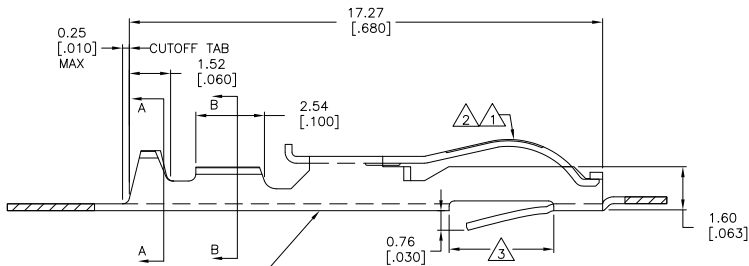
1

THIS DRAWING IS UNPUBLISHED. RELEASED FOR PUBLICATION. ALL RIGHTS RESERVED.

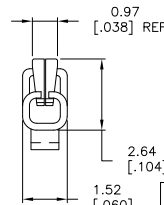
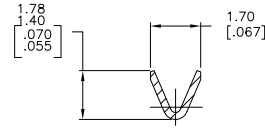
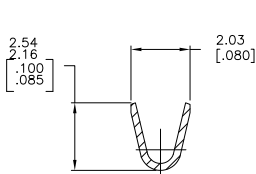
LOC	DIST	REVISIONS			
F	LNK	DESCRIPTION	DATE	BY	APPD
AD	00				
	Z2	REVISED PER ECO-11-004820	11MAR11	RK	HMR



- 1 .000030 GOLD OVER .000030 NICKEL IN CONTACT AREA.
- 2 .000015 GOLD OVER .000030 NICKEL IN CONTACT AREA.
- 3 .067 MAX ALLOWED IN LOCKING POSITION AREA FOR .140 REF LENGTH.
- 4 TIN-LEAD IN CRIMP AREA.
- 5 OBSOLETE
- 6 .000050 GOLD OVER .000050 NICKEL IN CONTACT AREA. REMAINDER OF CONTACT GOLD FLASH OVER NICKEL.
- 7 .000015 GOLD OVER .000030 NICKEL IN CONTACT AREA. REMAINDER OF CONTACT GOLD FLASH OVER NICKEL.
- 8 MATTE TIN IN CRIMP AREA.
- 9 OBSOLETE PARTS: OBSOLETE CIS STREAMLINING PER D.RENAUD/D.SINISI



COLOUR CODED ORANGE FOR WIRE RANGE IDENTIFICATION (LOOSE PIECE ONLY)



9	5-583616-3	5-583616-7	5-583616-5
9	OBSOLETE 5-583616-2	5-583616-6	5-583616-4
	1-583616-0	1-583616-2	1-583616-1
9	OBSOLETE 583616-8	1-583616-3	583616-9
	583616-3	583616-7	583616-5
9	OBSOLETE 583616-2	583616-6	583616-4
	STRIP PART NO REELING LEFT TO RIGHT	STRIP PART NO REELING RIGHT TO LEFT	FINISH
			LOOSE PIECE

DIMENSIONS		TOLERANCES UNLESS OTHERWISE SPECIFIED		FINISH		MATERIAL	
mm	[INCHES]	0 PLG	±	02AJG93	18FE994	PHOS	BRONZE
		1 PLG	±	A	18FE994	FINISH	SEE TABLE
		2 PLG	±				
		3 PLG	±				
		4 PLG	±				
		ANGLES	±				

TE Connectivity

CONTACT-TWIN LEAF (CRIMP-SNAP)

SIZE	QAGE CODE	DRAWING NO	RESTRICTED TO
A2	00779	C=583616	
CUSTOMER DRAWING		SCALE	10:1
		SHEET	1 of 1
		REV	Z2