

4

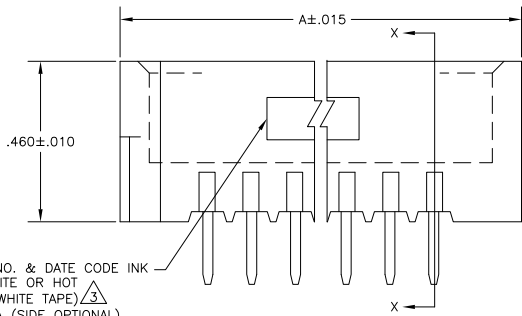
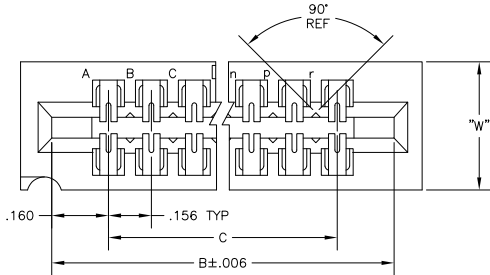
3

2

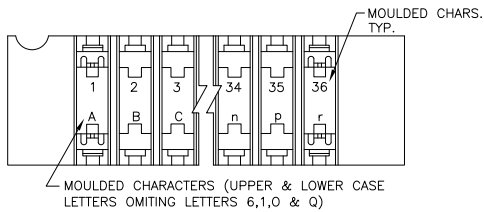
1

THIS DRAWING IS UNPUBLISHED. RELEASED FOR PUBLICATION BY TYCO ELECTRONICS CORPORATION. ALL RIGHTS RESERVED.

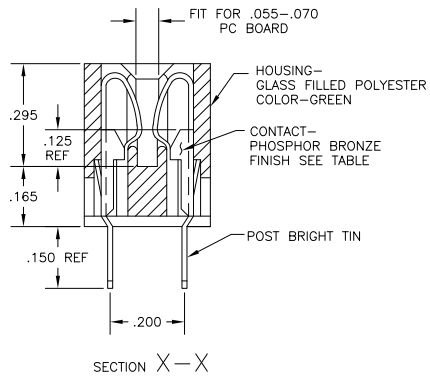
LOC	DIST	REVISIONS		
P	LTR	DESCRIPTION	DATE	BY
AD	OO	H	ECO-07-012860	24JUL2007 RB MM



AMP, PART NO. & DATE CODE INK STAMPED WHITE OR HOT STAMP (NO WHITE TAPE) IN THIS AREA (SIDE OPTIONAL)



- 1 .000015 MIN. GOLD OVER .000050 MIN. NICKEL IN CONTACT AREA
- 2 .000030 MIN. GOLD OVER .000050 MIN. NICKEL IN CONTACT AREA
- 3 ALL PARTS ASSEMBLED IN MEXICO MUST BE STAMPED "ASSY IN MEXICO" THE WORD "MEXICO" CAN BE SUBSTITUTED ONLY WHERE PART SIZE PROHIBITS STAMPING "ASSY IN MEXICO" INK STAMP COLOR WHITE OR HOT STAMP (NO WHITE TAPE) 115-9009, APPROX. WHERE SHOWN, SIDE OPTIONAL.
- 4 MATTE TIN PLATED CONTACT TAILS



	4	2	.370	3.276	3.596	3.736	22	5-531433-4
	2	2	.370	3.276	3.596	3.736	22	531433-4
OBSOLETE	1	4	.437	6.552	6.872	7.012	43	531433-3
OBSOLETE	1	4	.437	5.460	5.780	5.920	36	531433-2
OBSOLETE	1	4	.370	3.744	4.064	4.024	25	531433-1
			W	C	B	A	NO OF POSN	PART NO.

THIS DRAWING IS A CONTROLLED DOCUMENT. **DEBRA KELLY** 12/24/07

INCHES: 0 PLG, 1 PLG, 2 PLG, 3 PLG, 4 PLG, ANGLES, FINISH

MATERIAL: SEE CALL-OUT

TYCO ELECTRONICS CORPORATION
Harrisburg, Pa 17105-3608

PRODUCT SPEC: ---
APPLICATION SPEC: ---
WEIGHT: ---

SIZE: A2
CASE CODE (DRAWING ID): 00779
CAGE CODE: 531433

CUSTOMER DRAWING SCALE: 5:1 SHEET: 1 OF 1 REV: H

531433

A