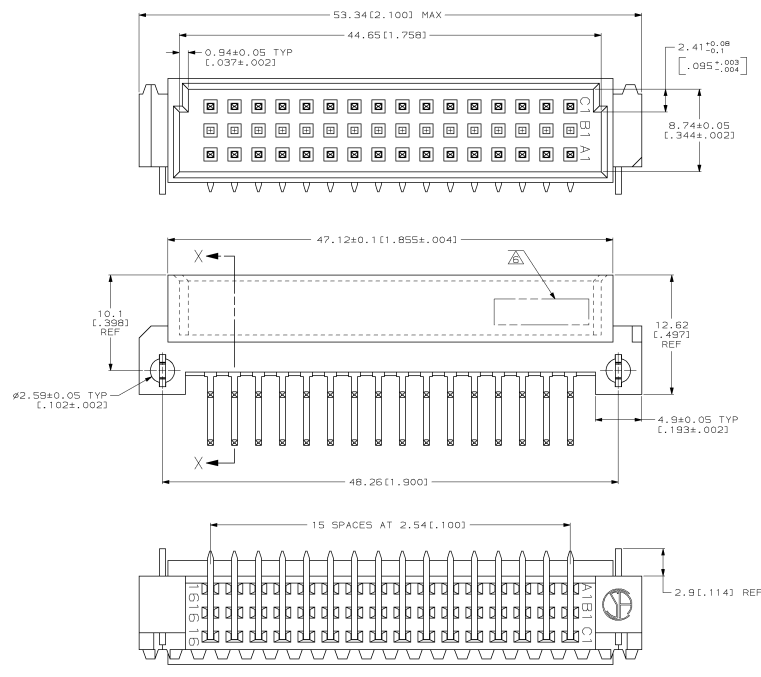
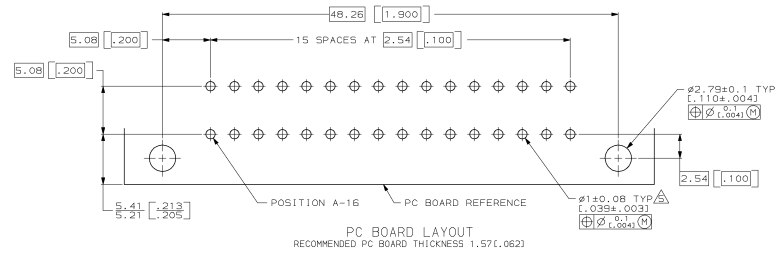
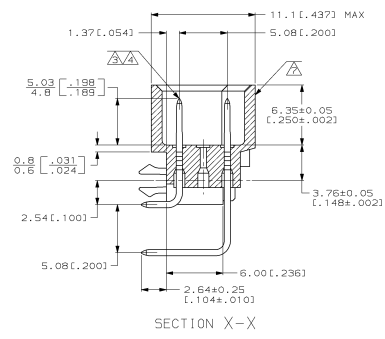


DRAWING MADE IN THIRD ANGLE PROJECTION
 THIS DRAWING IS UNPUBLISHED. RELEASED FOR PUBLICATION
 © Copyright 1989 by AMP Incorporated. ALL INTERNATIONAL RIGHTS RESERVED.

REV	BY	DATE	ZONE	LTR	DESCRIPTION	DATE	APP
AD	25		G	EC	0504-0052-96	6/27/91	CR



- △ HOUSING MATERIAL: GLASS-FILLED POLYESTER. COLOR: GRAY.
- △ POST MATERIAL: BRASS.
- △ POST FINISH: B1N 41612 CLASS 3 IN CONTACT AREA. TIN-LEAD PLATE ON POSTS.
- △ POST FINISH: B1N 41612 CLASS 2 IN CONTACT AREA. TIN-LEAD PLATE ON POSTS.
- △ RECOMMENDED HOLE SIZE FOR MANUAL APPLICATION OF CONNECTOR ONTO PC BOARD.
- △ PART NUMBER, DATE CODE MARKED THIS APPROXIMATE AREA.
- △ MARKING ON THIS SIDE.



OBsolete	△	1-16	X	-	X	32	650978-9
		1-16	X	-	X	32	650978-5

NOTES	POSITIONS LOADED	C	B	A	NO. OF LOCATED POSITIONS	ASSY PART NUMBER

DO NOT SCALE PRINT. UNLESS SPECIFIED DIMENSIONS IN mm (INCHES) FRACTIONS ON + DECIMALS ON -		DR	DATE	AMP Incorporated Harrisburg, PA 17105-3608	
		L. BRINER	5/21/91	NAME AMP PIN ASSEMBLY, EUROCARD, TYPE "1/2C" WITH BOARD LOCKS	
		D.C. RUBENDALL	5/22/91		
		APPRO	5/22/91	PART NO 650978	
		D.C. RUBENDALL	5/22/91		
MATERIAL HOUSING, △ POST, △		AMP INC. PARTNER	5/22/91	SIZE D CAGE CODE 00779 DRAWING NO 650978	
FINISH △					
APPLICATION SPEC				SCALE 5:1 SHEET 1 OF 1	
WEIGHT					

CUSTOMER DRAWING