

4

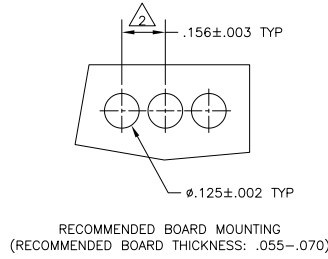
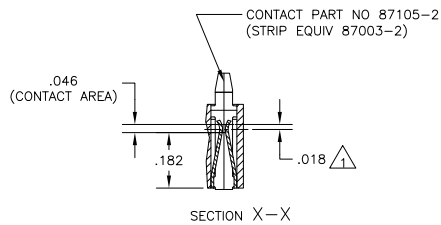
3

2

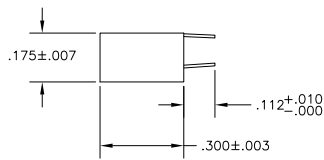
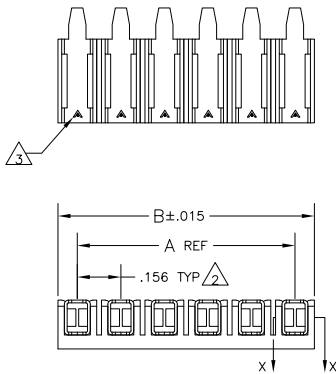
1

THIS DRAWING IS UNPUBLISHED. RELEASED FOR PUBLICATION  
 © COPYRIGHT BY TYCO ELECTRONICS CORPORATION. ALL RIGHTS RESERVED.

LOC	DIST	REVISIONS			
P	LR	DESCRIPTION	DATE	BY	APPD
K		REVISED PER DG3C-0107-00	08AUG00		MZ
K1		REVISED PER ECO-09-024927	08NOV09		KK AEG



- △1 POINT OF MEASUREMENT FOR PLATING THICKNESS (INSIDE OF BEAMS).
- △2 TOLERANCE NON-CUMULATIVE.
- △3 THE MATING END OF THE CONTACT IS IDENTIFIED BY THE LETTER "A" STAMPED ON THE RECEPTACLE BOX.
- △4 OBSOLETE PARTS: OBSOLETE CIS STREAMLINING PER D.RENAUD/D.SINISI



	B	A	NO OF POSN	ASSEMBLY PART NUMBER
△ OBSOLETE	3.120	2.964	20	87985-0
OBSOLETE	2.964	2.808	19	87985-9
	2.808	2.652	18	87985-8
	2.652	2.496	17	87985-7
△	2.496	2.340	16	87985-6
	2.340	2.184	15	87985-5
	2.184	2.028	14	87985-4
OBSOLETE	2.028	1.872	13	87985-3
	1.872	1.716	12	87985-2
△ OBSOLETE	1.716	1.560	11	87985-1
△ OBSOLETE	1.560	1.404	10	87985-0
	1.404	1.248	9	87985-9
OBSOLETE	1.248	1.092	8	87985-8
	1.092	.936	7	87985-7
△	.936	.780	6	87985-6
	.780	.624	5	87985-5
OBSOLETE	.624	.468	4	87985-4
	.468	.312	3	87985-3
△	.312	.156	2	87985-2

THIS DRAWING IS A CONTROLLED DOCUMENT.		DWG: L. D. RINGLEY 17MAR86 CHK: P. C. DE JONG 18MAR86 APPD: P. C. DE JONG 18MAR86 PRODUCT SPEC: 108-25.016 APPLICATION SPEC: 114-25.004 HEIGHT: -	Tyco Electronics Corporation Harrisburg, PA 17105-3608 ASSY, MOD 1, BOARD MOUNT RECP. .156CL, STD PRESSURE, TYPE B, FOR ROUND HOLE MOUNTING	RESTRICTED TO: -
DIMENSIONS: INCHES TOLERANCES UNLESS OTHERWISE SPECIFIED: Ø PLC ± .005 PLC ± .005 Holes ± .005 ANGLES ± .005 MATERIAL: ALUMINUM-PLATE RECEPTACLE CONTACTS: PHOS BRONZE	FINISH: CONTACTS: .000209 MIN THK	SIZE: A2 CASE CODE (DRAWING NO): 00779 CUSTOMER DRAWING	NO OF POSN: 87985 ASSEMBLY PART NUMBER: 87985	SCALE: 4:1 SHEET: 1 OF 1 REV: K1

87985

A