

4

3

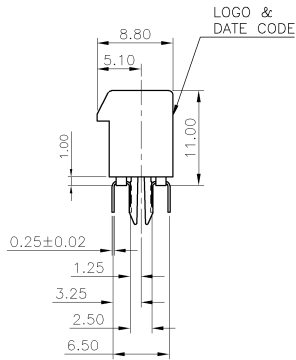
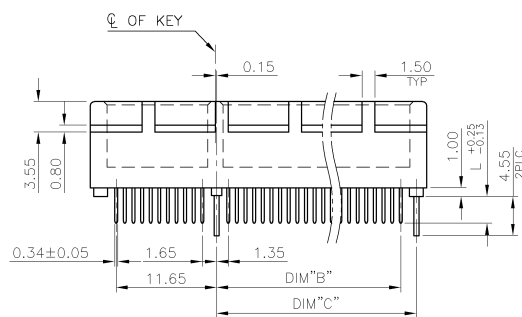
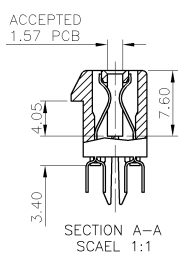
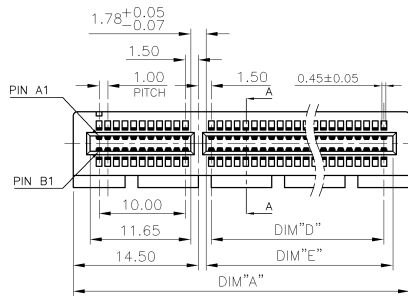
2

1

THIS DRAWING IS UNPUBLISHED. RELEASED FOR PUBLICATION
 © COPYRIGHT 2010 BY TYCO ELECTRONICS CORPORATION. ALL RIGHTS RESERVED.

| LOC | DIST | REVISIONS | | | |
|-----|------|--|----------|------|------|
| P | LTR | DESCRIPTION | DATE | DWN | APVD |
| C2 | | REVISED (ECR-11-011338) UPDATED NOTE 3 & ADDED NOTE 5 | 31MAR'11 | E.L. | W.K. |

- NOTE:
- MATERIAL:
HOUSING (SEE TABLE): PA46 OR PA9T, UL94 V-0, COLOR: BLACK.
CONTACTS: PHOSPHOR BRONZE.
BOARDLOCK: BRASS.
 - FINISH:
2.1 CONTACTS: (SEE TABLE) GOLD PLATED ON CONTACT AREA,
2.54um [100u"] MIN. MATTE-TIN ON SOLDER TAIL,
WITH ENTIRE CONTACT UNDERPLATED 1.27um [50u"] MIN. NICKEL.
2.2 BOARDLOCK: 2.54um [100u"] MATTE-TIN PLATING ALL OVER
NICKEL 1.27um[50u"] MIN. UNDERPLATED OVERALL.
 - WAVE SOLDER CAPABLE TO 265°C MAX. PER TE SPEC. 109-202, CONDITION B.
 - WEIGHT:
36 POS.: 2.55 GRAMS
64 POS.: 3.90 GRAMS
98 POS.: 5.50 GRAMS
164 POS.: 8.80 GRAMS
- REFLOW SOLDER CAPABLE TO 260°C PER TE SPEC. TEC-109-201, CONDITION B.



| NOTE 3 & 5 | PA9T | 2.30 | 0.381um[15u"] MIN. | 71.65 | 70.0 | 73.15 | 71.35 | 89.0 | 164 | 5- | -2 |
|------------|------|--|--|-------|------|-------|-------|------|-----|----|-------------|
| NOTE 3 | PA46 | 3.10 | 0.762um[30u"] MIN. 0.381um[15u"] MIN. GOLD FLASH | 71.65 | 70.0 | 73.15 | 71.35 | 89.0 | 164 | 4- | -6 |
| | | | 0.762um[30u"] MIN. 0.381um[15u"] MIN. GOLD FLASH | | | | | | | 4- | -5 |
| | | | 0.762um[30u"] MIN. 0.381um[15u"] MIN. GOLD FLASH | | | | | | | 4- | -4 |
| | | | 0.762um[30u"] MIN. 0.381um[15u"] MIN. GOLD FLASH | | | | | | | 4- | -3 |
| | | | 0.762um[30u"] MIN. 0.381um[15u"] MIN. GOLD FLASH | | | | | | | 4- | -2 |
| | | | 0.762um[30u"] MIN. 0.381um[15u"] MIN. GOLD FLASH | | | | | | | 4- | -1 |
| | | 2.30 | 0.762um[30u"] MIN. 0.381um[15u"] MIN. GOLD FLASH | 38.65 | 37.0 | 40.15 | 38.35 | 56.0 | 98 | 3- | -4 |
| | | | 0.762um[30u"] MIN. 0.381um[15u"] MIN. GOLD FLASH | | | | | | | 3- | -3 |
| | | | 0.762um[30u"] MIN. 0.381um[15u"] MIN. GOLD FLASH | | | | | | | 3- | -2 |
| | | | 0.762um[30u"] MIN. 0.381um[15u"] MIN. GOLD FLASH | | | | | | | 3- | -1 |
| | | | 0.762um[30u"] MIN. 0.381um[15u"] MIN. GOLD FLASH | | | | | | | 3- | -6 |
| | | 3.10 | 0.381um[15u"] MIN. GOLD FLASH | 7.65 | 6.0 | 9.15 | 7.35 | 25.0 | 36 | 1- | -5 |
| | | 0.762um[30u"] MIN. 0.381um[15u"] MIN. GOLD FLASH | | | | | | | 1- | -4 | |
| | | 0.762um[30u"] MIN. 0.381um[15u"] MIN. GOLD FLASH | | | | | | | 1- | -3 | |
| | | 0.762um[30u"] MIN. 0.381um[15u"] MIN. GOLD FLASH | | | | | | | 1- | -2 | |
| | | | | | | | | | | | 1-1775801-1 |

THIS DRAWING IS A CONTROLLED DOCUMENT.

| | | | |
|-------------------|--|--|---|
| DIMENSIONS: mm | TOLERANCES UNLESS OTHERWISE SPECIFIED: 0 PLC ± - 1 PLC ± 0.3 2 PLC ± 0.2 3 PLC ± 0.15 4 PLC ± - ANGLES ± ° | DWN B. HSING 21MAY2009 CHK S. CHIEN 21MAY2009 APVD W. KODAMA 21MAY2009 | NAME |
| MATERIAL SEE NOTE | FINISH SEE NOTE | PRODUCT SPEC 108-57375 APPLICATION SPEC | SIZE CAGE CODE DRAWING NO RESTRICTED TO |
| | | WEIGHT SEE NOTE | A3 00779 C-1775801 |
| | | CUSTOMER DRAWING | SCALE SHEET 1 OF 3 REV C2 |

TE Connectivity
 PCI EXPRESS CARD EDGE CONNECTOR
 VERTICAL, DIP TYPE (BOARD-LOCK FUNCTION)

4

3

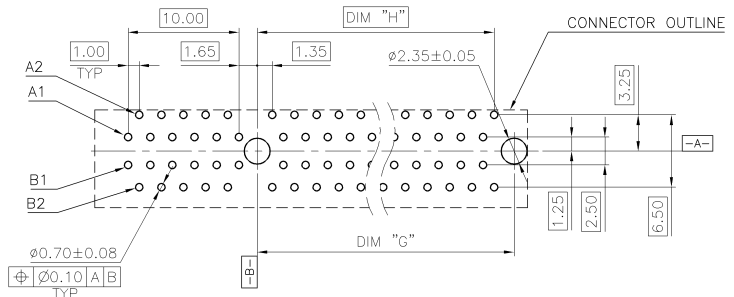
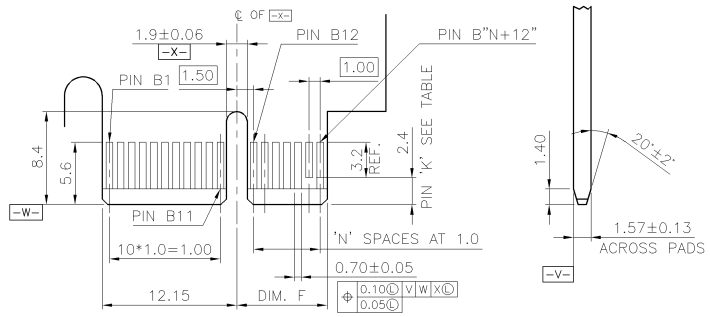
2

1

THIS DRAWING IS UNPUBLISHED. RELEASED FOR PUBLICATION
 COPYRIGHT 2010 BY TYCO ELECTRONICS CORPORATION. ALL RIGHTS RESERVED.

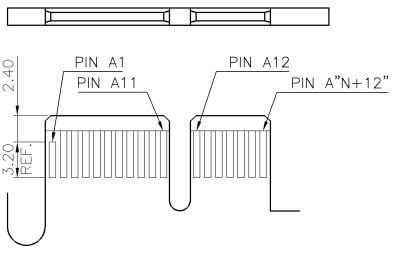
| LOC | DIST | REVISIONS | | | |
|-----|------|--------------|------|-----|------|
| P | LTR | DESCRIPTION | DATE | DWN | APVD |
| DW | | SEE SHEET 1. | | | |

1. NO TIE BAR PERMITTED FROM CARD EDGE TO LEADING EDGE OF PAD FOR PINS A1 AND "K"
2. CHAMFER EDGE MUST BE FREE OF CUTTING BURRS



RECOMMENDED PCB LAYOUT
 TOLERANCE: ±0.05
 DIM.L=3.1mm THICKNESS: 2.4mm
 DIM.L=2.3mm THICKNESS: 1.6mm

I/O PANEL DIRECTION
 PRIMARY (COMPONENT) SIDE



SECONDARY (SOLDER) SIDE

| POS. | N | DIM. F | DIM. G | DIM. H | "K" |
|------|----|--------|--------|--------|-----------------|
| 36 | 6 | 8.15 | 9.15 | 7.35 | B17 |
| 64 | 20 | 22.15 | 23.15 | 21.35 | B17,B31 |
| 98 | 37 | 39.15 | 40.15 | 38.35 | B17,B31,B48 |
| 164 | 70 | 72.15 | 73.15 | 71.35 | B17,B31,B48,B81 |

| | | | | |
|--|--|------------------|--|--------------|
| THIS DRAWING IS A CONTROLLED DOCUMENT. | | DWN | TE Connectivity | |
| DIMENSIONS: mm | | CHK | NAME | |
| TOLERANCES UNLESS OTHERWISE SPECIFIED: | | APVD | PCI EXPRESS CARD EDGE CONNECTOR VERTICAL, DIP TYPE (BOARD-LOCK FUNCTION) | |
| 0 PLC ± | | PRODUCT SPEC | SIZE | CAGE CODE |
| 1 PLC ±0.3 | | APPLICATION SPEC | A3 | 00779 |
| 2 PLC ±0.2 | | WEIGHT | DRAWING NO. C-1775801 | |
| 3 PLC ±0.15 | | CUSTOMER DRAWING | SCALE | SHEET 2 OF 3 |
| 4 PLC ± | | | | REV C2 |
| ANGLES ±° | | | | |
| MATERIAL | | | | |
| FINISH | | | | |

4

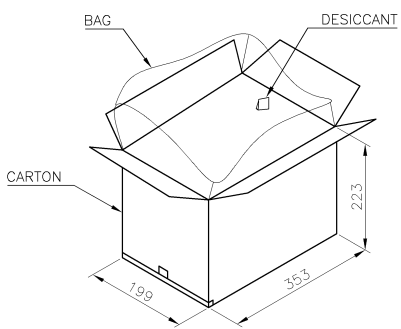
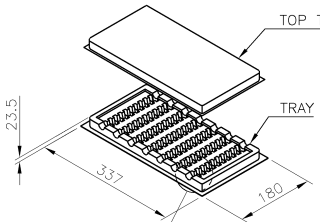
3

2

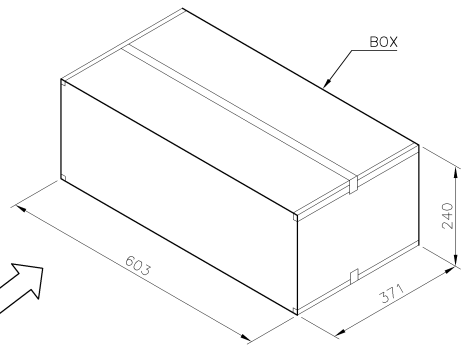
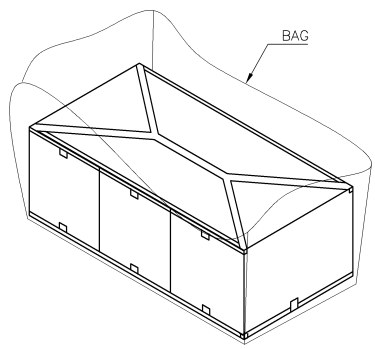
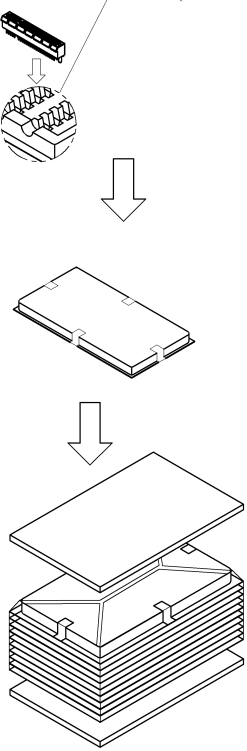
1

THIS DRAWING IS UNPUBLISHED. RELEASED FOR PUBLICATION
 © COPYRIGHT 2010 BY TYCO ELECTRONICS CORPORATION. ALL RIGHTS RESERVED.

| LOC | DIST | REVISIONS | | | | |
|-----|------|--------------|------|-----|------|--|
| P | LTR | DESCRIPTION | DATE | DWN | APVD | |
| | | SEE SHEET 1. | | | | |



- NOTES :
- MATERIAL :
 TRAY : PVC, COLOR: TRANSPARENT.
 CARTON: CORRUGATED FIBER
 BOX: CORRUGATED FIBER
 - DIMENSION :
 TRAY: SEE DRAWING
 CARTON: SEE DRAWING
 BOX : SEE DRAWING
 - QUANTITY : SEE TABLE
 - WEIGHT : SEE TABLE



| 9.6 KG | 7.6 KG | 30 | 10 | 3 | 900 | 164 |
|--------------|------------|-----------|--------------|-------------|----------|-----|
| 8.5 KG | 6.5 KG | 40 | 10 | 3 | 1200 | 98 |
| 9.1 KG | 7.1 KG | 60 | 10 | 3 | 1800 | 64 |
| 7.7 KG | 5.7 KG | 70 | 10 | 3 | 2100 | 36 |
| GROSS WEIGHT | NET WEIGHT | PCS/ TRAY | TRAY/ CARTON | CARTON/ BOX | PCS/ BOX | POS |

THIS DRAWING IS A CONTROLLED DOCUMENT.

| | | | | | | |
|-------------|--|------------------|--|-------|--------|--------|
| DIMENSIONS: | TOLERANCES UNLESS OTHERWISE SPECIFIED: | DWN | TE Connectivity NAME: PCI EXPRESS CARD EDGE CONNECTOR VERTICAL, DIP TYPE (BOARD-LOCK FUNCTION) SIZE: A3 CAGE CODE: 00779 DRAWING NO: C-1775801 RESTRICTED TO: | | | |
| mm | 0 PLC ± .1 | CHK | | | | |
| | 1 PLC ± 0.3 | APVD | | | | |
| | 2 PLC ± 0.2 | PRODUCT SPEC | | | | |
| | 3 PLC ± 0.15 | APPLICATION SPEC | | | | |
| MATERIAL | FINISH | WEIGHT | CUSTOMER DRAWING | | | |
| | | | SCALE | SHEET | 3 of 3 | REV C2 |