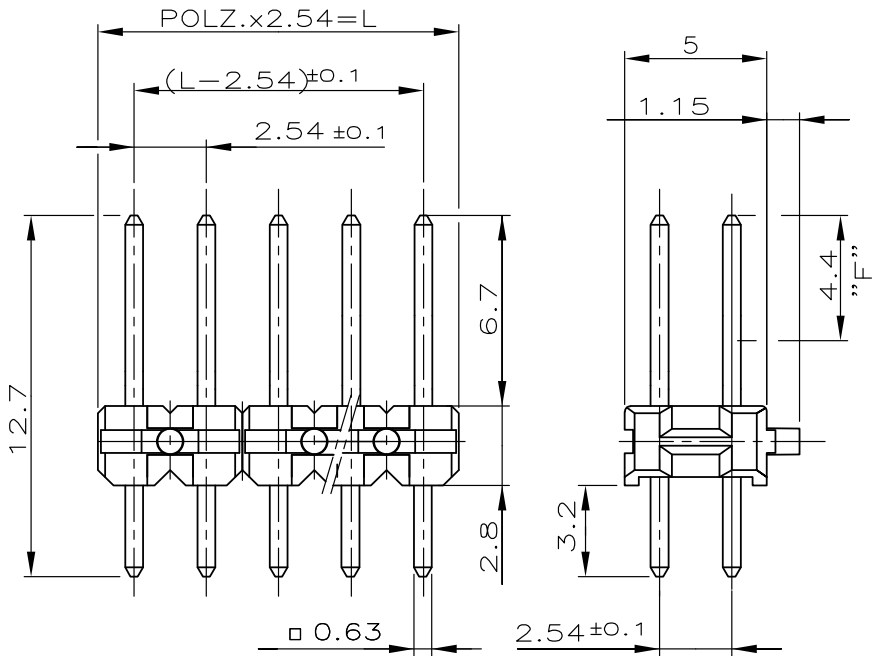


LOC	DIST
—	—
NUMMER 825440	
VERWENDET FÜR E 92-9802	
WAR NR. —	

REVISIONS					
P	LTR	DESCRIPTION	DATE	DWN	APVD
	F	WERKSTOFF GEÄNDERT	15.07.97	—	A.ZITZ
	F1	REVISED PER ECO-09-023313	09OCT09	—	AEG
	F2	ECR-10-022530	11JAN11	KK	HMR

CAD-ORIGINAL
ZEICHNUNG NICHT ÄNDERN

POLZ. PRO REIHE	L±0.5	BESTELL-NR.
—	—	—
2	5.08	825 440 -2
3	7.62	-3
4	10.16	-4
5	12.70	-5
6	15.24	-6
7	17.78	-7
8	20.32	-8
9	22.86	-9
10	25.40	1- -0
11	27.94	1- -1
12	30.48	1- -2
13	33.02	1- -3
14	35.56	1- -4
15	38.10	1- -5
16	40.64	1- -6
17	43.18	1- -7
18	45.72	1- -8
19	48.26	1- -9 ⁴
20	50.80	2- -0
21	53.34	2- -1 ⁴
22	55.88	2- -2 ³
23	58.42	2- -3
24	60.96	2- -4
25	63.50	2- -5
26	66.04	2- -6 ⁴
27	68.58	2- -7 ⁴
28	71.12	2- -8 ⁴
29	73.66	2- -9
30	76.20	3- -0 ⁴
31	78.74	3- -1 ⁴
32	81.28	3- -2
33	83.82	3- -3
34	86.36	3- -4
35	88.90	3- -5 ⁴
36	91.44	3- -6 ⁴
37	93.98	3- -7
38	96.52	3- -8
39	99.06	3- -9
40	101.60	4- -0
41	104.14	4- -1
42	106.68	4- -2
43	109.22	4- -3
44	111.76	4- -4
45	114.30	4- -5
46	116.84	4- -6
47	119.38	4- -7
48	121.92	4- -8
49	124.46	4- -9
50	127.00	5- 825 440 -0



⁴ STECKSEITE: IM BEREICH "F" 0,8µm GOLD ÜBER 1,27 µm NICKEL
LÖTSEITE: MIN. 2,5 µm ZINN ÜBER 1,27 µm NICKEL

KONTAKTSTIFT	Cu Sn	⁴
STIFTGEHÄUSE	PBT GV	GRÜN
BENENNUNG	WERKSTOFF	OBERFLÄCHE
		FARBE

ZEICHNUNG GÜLTIG AB KW 39/96

THIS DRAWING IS UNPUBLISHED. ALL RIGHTS RESERVED. © COPYRIGHT - By -

DIMENSIONS: mm	DWN 22.06.84 M.SCHAARSCHMIDT	MATERIAL	FINISH
	CHK		
TOLERANCES UNLESS OTHERWISE SPECIFIED: ±0.2 mm	APVD	TE Connectivity	
	PRODUCT SPEC		
0 PLC ±	APPLICATION SPEC	NAME AMPMODU II STIFBLEISTE ZWEIREIHIG	
1 PLC ±		SIZE	CAGE CODE
2 PLC ±		A4	00779
3 PLC ±		DRAWING NO	RESTRICTED TO
4 PLC ±		C-825440	—
ANGLES ±	WEIGHT	CUSTOMER DRAWING	
		SCALE	SHEET
		4:1	1 OF 2
			REV F2

LOC	DIST	REVISIONS					
—	—	P	LTR	DESCRIPTION	DATE	DWN	APVD
			—	SEE SHEET 1	—	—	—

VERWENDET FÜR
E 92-9802
WAR NR. —

CAD-ORIGINAL
ZEICHNUNG NICHT ÄNDERN

Polz pro Reihe	L±0.5	Bestell-Nr.	Bemerkung
1	2.54	5- -1	
2	5.08	5- -2	
3	7.62	5- -3	
4	10.16	5- -4	
5	12.70	5- -5	
6	15.24	5- -6	
7	17.78	5- -7	
8	20.32	5- -8	
9	22.86	5- -9	
10	25.40	6- 0	
11	27.94	6- -1	
12	30.48	6- -2	
13	33.02	6- -3	
14	35.56	6- -4	
15	38.10	6- -5	
16	40.64	6- -6	
17	43.18	6- 825 440 -7	△
18	45.72	6- -8	
19	48.26	6- -9	
20	50.80	7- 0	


△ VERPACKUNG: 25 STÜCK IN PLASTIK-DOSE
PN 165 439-1 MIT PLASTIK-DECKEL
PN 165 440-1

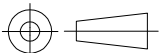
△ OBSOLETE PARTS: OBSOLETE CIS STREAMLINING PER D.RENAUD/D.SINISI

△ OBSOLETE

BENENNUNG	WERKSTOFF	OBERFLÄCHE FARBE

ZEICHNUNG GÜLTIG AB KW 39/96

DIMENSIONS: mm	DWN 07.06.84 A.HO	MATERIAL	FINISH
	CHK 13.06.84 M.SCHAARSCHMIDT		
TOLERANCES UNLESS OTHERWISE SPECIFIED: 0 PLC ± - 1 PLC ± - 2 PLC ± - 3 PLC ± - 4 PLC ± - ANGLES ± -	APVD -	 TE Connectivity	
	PRODUCT SPEC		
	APPLICATION SPEC	NAME AMPMODU II STIFTLAISTE ZWEIREIHIG	
	WEIGHT -	SIZE A4	CAGE CODE 00779
CUSTOMER DRAWING		DRAWING NO C-825440	RESTRICTED TO -
		SCALE 4:1	SHEET 2 OF 2
			REV F2



THIS DRAWING IS UNPUBLISHED. ALL RIGHTS RESERVED.