

4

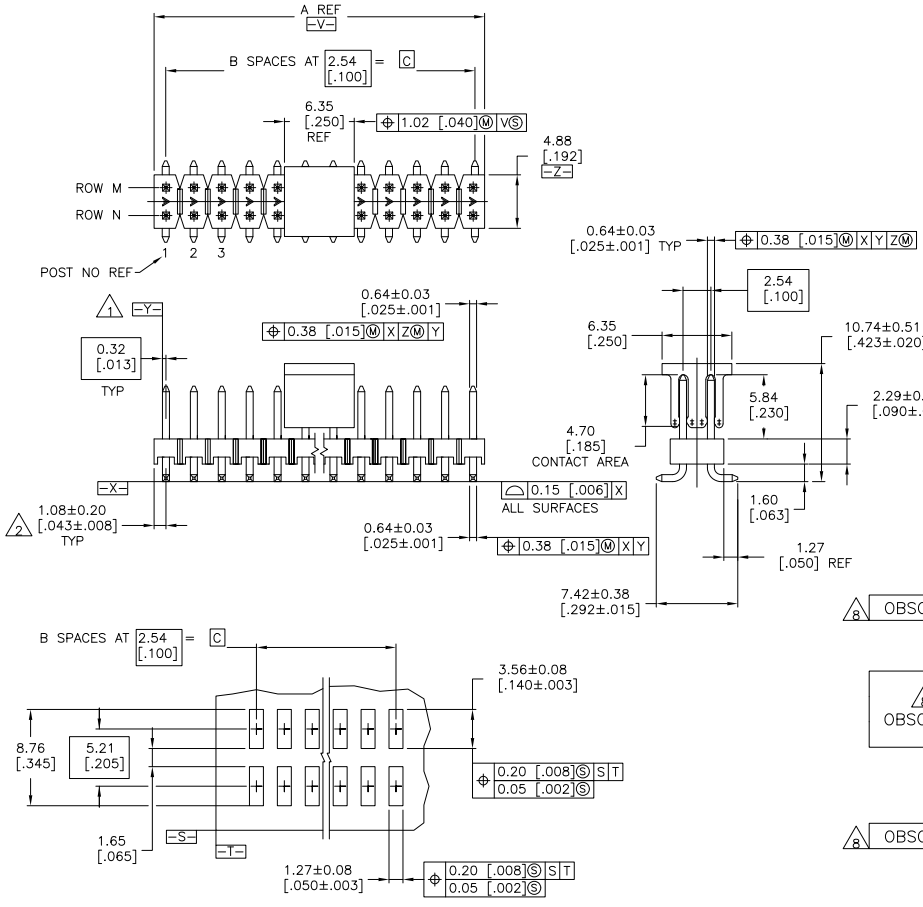
3

2

1

THIS DRAWING IS UNPUBLISHED. RELEASED FOR PUBLICATION.  
 © COPYRIGHT BY TYCO ELECTRONICS CORPORATION. ALL RIGHTS RESERVED.

LOC	DIST	REVISIONS		DATE	BY	APP'D
AD	00	F	LR			
		H3		REVISED PER ECO-10-001996	23FEB10	HMR JG



- 1  $\triangle$  EY SHALL BE THE INTERSECTION OF THE POST AND THE HOUSING.
- 2  $\triangle$  THE NOTED DIMENSION APPLIES FROM THE BASIC DIMENSION (NOT THE POST CENTERLINE) TO THE SURFACE INDICATED.
- 3  $\triangle$  0.000762[.000030] GOLD ON CONTACT AREA, 0.00254-0.00508[.000100-.000200] MATTE TIN-LEAD ON SOLDER TAIL, ALL OVER 0.00127[.000050] NICKEL.
- 4 PACKAGED IN TAPE AND REEL PER EIA-481 SPECIFICATIONS. SEE TABLE FOR TAPE WIDTH.
- 5  $\triangle$  HOUSING: LCP COLOR-BLACK. POST: PHOS. BRONZE.
- 6  $\triangle$  PRELIMINARY PART - NOT RELEASED FOR PRODUCTION.
- 7  $\triangle$  0.000762[.000030] GOLD ON CONTACT AREA, 0.00254-0.00508[.000100-.000200] MATTE TIN ON SOLDER TAIL, ALL OVER 0.00127[.000050] NICKEL.
- 8  $\triangle$  OBSOLETE PARTS: OBSOLETE CIS STREAMLINING PER D.RENAUD/D.SINISI

$\triangle$ 7	OBSOLETE	44mm	8	NONE	17.78	7	19.91	16	5-147115-6								
		44mm	NONE	1	17.78	7	19.91	16	5-147115-5								
$\triangle$ 6	OBSOLETE	24mm	1	NONE	10.16	4	12.29	10	5-147115-4								
		44mm	13	1	30.48	12	32.61	26	5-147115-3								
$\triangle$ 8	OBSOLETE	56mm	1	15	35.56	14	37.69	30	5-147115-2								
		44mm	NONE	3	30.48	12	32.61	26	5-147115-1								
$\triangle$ 3	OBSOLETE	44mm	NONE	1	17.78	7	19.91	16	147115-5								
		24mm	1	NONE	10.16	4	12.29	10	147115-4								
$\triangle$ 5	OBSOLETE	44mm	13	1	30.48	12	32.61	26	147115-3								
		56mm	1	15	35.56	14	37.69	30	147115-2								
$\triangle$ 3	OBSOLETE	44mm	NONE	3	30.48	12	32.61	26	147115-1								
		44mm	NONE	3	30.48	12	32.61	26	147115-1								

RECOMMENDED PCB LAYOUT FOR USE WITH 0.20 [.008] THICK STENCIL

DIMENSIONS		TOLERANCES UNLESS OTHERWISE SPECIFIED		FINISH		MATERIAL		PLATING		TAPE WIDTH		ROW M		ROW N		POSTS OMITTED		C		B		A		NO OF POSN		PART NUMBER	
mm	[INCHES]	0 PLZ	±	0 PLZ	±	0 PLZ	±	0 PLZ	±	0 PLZ	±	0 PLZ	±	0 PLZ	±	0 PLZ	±	0 PLZ	±	0 PLZ	±	0 PLZ	±	0 PLZ	±	0 PLZ	±
SEE TABLE		SEE TABLE		SEE TABLE		SEE TABLE		SEE TABLE		SEE TABLE		SEE TABLE		SEE TABLE		SEE TABLE		SEE TABLE		SEE TABLE		SEE TABLE		SEE TABLE		SEE TABLE	

AMP 1471-9 REV 31MM2000

147115

A