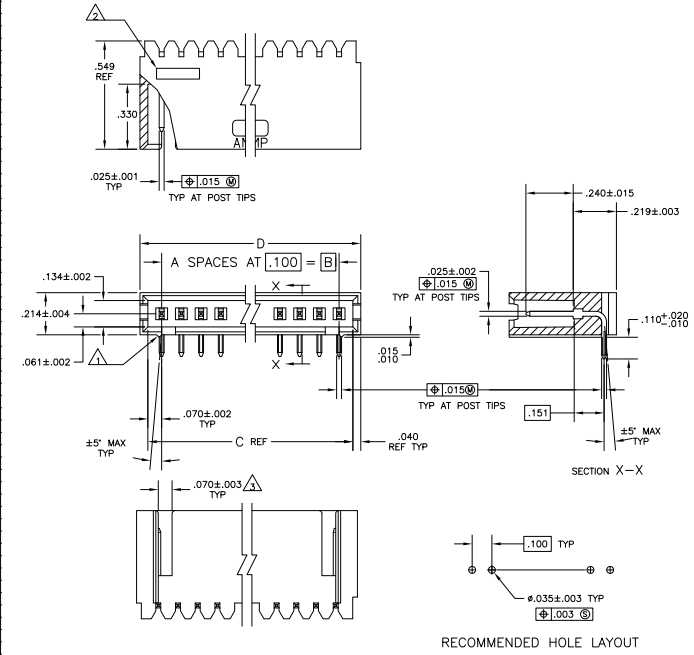


THIS DRAWING IS UNPUBLISHED
 ALL RIGHTS RESERVED

REV	DATE	DESCRIPTION	BY	CHK	APP
AD	00				
R2		REVISED PER EDD-11-004587			



- STANDOFFS:**
 3 THRU 9 POSN - (2 REQD) ON OUTSIDE ENDS OF HOUSING
 10 THRU 18 POSN - (3 REQD) TWO ON OUTSIDE ENDS AND ONE CENTERED ON HOUSING
 19 POSN AND LARGER - (4 REQD) TWO ON OUTSIDE ENDS AND TWO EVENLY SPACED WITHIN REMAINING LENGTH OF HOUSING
- RECESSED DATE CODE**
 FOR 3 POSITION ONLY, ONE SLOT .215 WIDE.
- FINISHES:**
 .000100-.000200 BRIGHT TIN-LEAD OVER .000050 NICKEL.
 .000100-.000200 BRIGHT TIN OVER .000050 NICKEL.
 PRELIMINARY PART
 .000100-.000200 MATTE TIN OVER .000050 NICKEL.
- MATERIAL:**
 HOUSING: FLAME RETARDANT THERMOPLASTIC, COLOR: BLACK
 POSTS: PHOS BRONZE
- OBsolete PARTS:** OBSOLETE CIS STREAMLINING PER D.RENAUD/D.SINISI

REV	DATE	DESCRIPTION	BY	CHK	APP
AD	00				
R2		REVISED PER EDD-11-004587			
1					
2					
3					
4					
5					
6					
7					
8					
9					
10					
11					
12					
13					
14					
15					
16					
17					
18					
19					
20					
21					
22					
23					
24					
25					
26					
27					
28					
29					
30					
31					
32					
33					
34					
35					
36					
37					
38					
39					
40					
41					
42					
43					
44					
45					
46					
47					
48					
49					
50					
51					
52					
53					
54					
55					
56					
57					
58					
59					
60					
61					
62					
63					
64					
65					
66					
67					
68					
69					
70					
71					
72					
73					
74					
75					
76					
77					
78					
79					
80					
81					
82					
83					
84					
85					
86					
87					
88					
89					
90					
91					
92					
93					
94					
95					
96					
97					
98					
99					
100					

THIS DRAWING IS A CONTROLLED DOCUMENT. THE LENSEY DESIGN

INFORMATION: DIMENSIONS UNLESS OTHERWISE SPECIFIED ARE IN MILLIMETERS. DIMENSIONS IN PARENTHESES ARE IN INCHES. DIMENSIONS IN BRACKETS ARE FOR REFERENCE ONLY. DIMENSIONS IN SQUARE BRACKETS ARE FOR INFORMATION ONLY.

DATE: 10/25/23

CUSTOMER DRAWING

TE Connectivity
 HEADER ASSEMBLY MOD II,
 SINGLE ROW .100 C/L, RIGHT ANGLE

SIZE: 4.1

REVISED PER EDD-11-004587