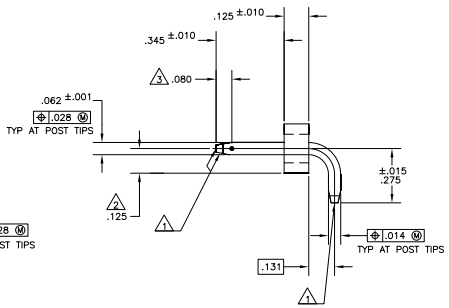
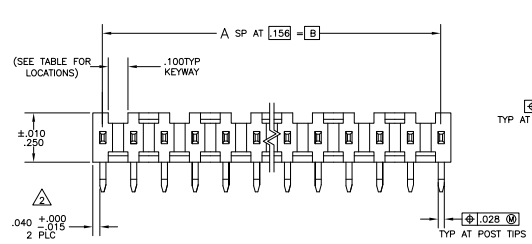
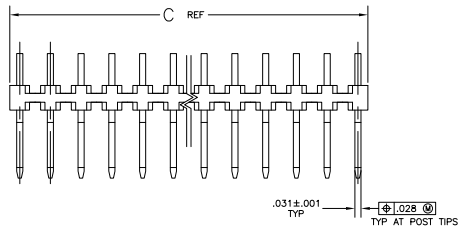
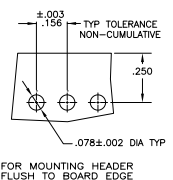
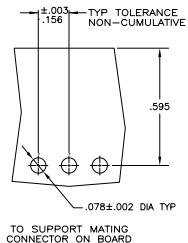


THIS DRAWING IS UNPUBLISHED
 © 2008 TI ELECTRONICS CORPORATION. ALL RIGHTS RESERVED.

REV	DATE	DESCRIPTION	BY	CHK	APP
AD 00					
N1		REVISED PER ECO-09-024717	070609	KK	AEG



- ▲ THE TIPS OF THE POSTS WILL NOT BE PLATED
- ▲ THE NOTED DIMENSIONS APPLY AT THE INTERSECTION OF THE POST AND THE HOUSING
- ▲ POINT OF MEASUREMENT FOR PLATING THICKNESS
- ▲ OBSOLETE PARTS: OBSOLETE CIS STREAMLINING PER D.RENAUD/D.SINISI



KEYWAY LOCATIONS (REF-SEE TABLE)
 (MATING LENGTH OF POST ON NEAR SIDE)
 SCALE: 2:1

KEYWAY LOCATIONS	NO OF KEYWAY	C	B	A	NO OF POSN	ASSEMBLY PART NUMBER
A,C,E,H,K,M,Q,S,U,W,Y	11	3.855	3.744	24	25	87654-5
A,C,E,G,J,L,N,Q,S,U,W,Y	12	3.699	3.588	23	24	87654-4
A,D,G,K,N,R,U,X	8	3.543	3.432	22	23	87654-3
A,C,E,G,J,L,N,Q,S,U,W	11	3.387	3.276	21	22	87654-2
A,D,G,K,N,R,U	7	3.231	3.120	20	21	87654-1
A,C,E,G,J,L,N,Q,S,U	10	3.075	2.964	19	20	87654-0
B,D,F,J,L,N,Q,S	8	2.919	2.808	18	19	87654-9
A,D,F,J,M,P,S	7	2.763	2.652	17	18	87654-8
A,D,G,K,N,R	6	2.607	2.496	16	17	87654-7
A,C,E,G,J,L,N,Q	8	2.451	2.340	15	16	87654-6
A,D,G,K,N	5	2.295	2.184	14	15	87654-5
A,C,E,G,J,L,N	7	2.139	2.028	13	14	87654-4
A,D,J,M	4	1.983	1.872	12	13	87654-3
A,C,E,G,J,L	6	1.827	1.716	11	12	87654-2
A,D,G,K	4	1.671	1.560	10	11	87654-1
A,C,E,G,J	5	1.515	1.404	9	10	87654-0
A,D,G	3	1.359	1.248	8	9	87654-9
A,C,E,G	4	1.203	1.092	7	8	87654-8
A,D,G	3	1.047	936	6	7	87654-7
A,C,E	3	.891	.780	5	6	87654-6
A,D	2	.735	.624	4	5	87654-5
A,C	2	.579	.468	3	4	87654-4
A	1	.423	.312	2	3	87654-3
A	1	.267	.156	1	2	87654-2

THIS DRAWING IS A CONTROLLED DOCUMENT.

DESIGNED BY: J. MAYER
 DRAWN BY: J. MAYER
 CHECKED BY: J. MAYER
 APPROVED BY: J. MAYER
 DATE: 108-25016
 REV: 1

THIS DRAWING IS A CONTROLLED DOCUMENT.
 CUSTOMER DRAWING

THIS ELECTRONICS CORPORATION
 Harrisburg, Pa 17105-3008

HEADER ASSEMBLY, MOD L
 RIGHT ANGLE, SINGLE ROW,
 156922

SIZE: A1
 DATE: 108-25016
 REV: 1

REVISED TO: 87654