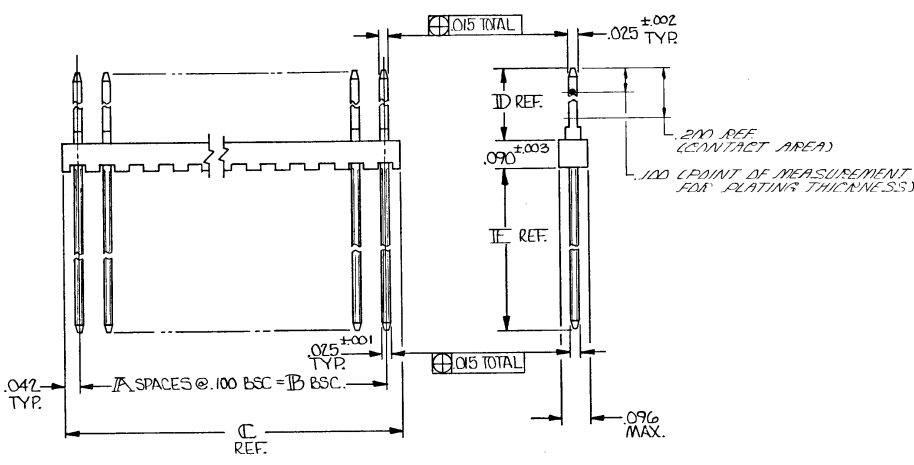
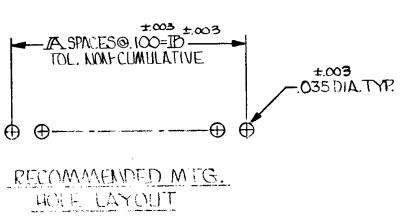


DRAWING MADE IN THIRD ANGLE PROJECTION
 © COPYRIGHT 1975 BY AMP INCORPORATED, HARRISBURG, PA.
 ALL INTERNATIONAL RIGHTS RESERVED. AMP DESIGNATED PRODUCTS
 COVERED BY U. S. AND FOREIGN PATENTS AND/OR PATENTS PENDING.



- 1. .000030 GOLD ON CONTACT AREA, GOLD FLASH ON SOLDER AREA, ALL OVER .000050 NICKEL.
- 2. TRUE POSITION TOLERANCE OF POST TIPS APPLIES WHEN HEADS ARE HELD FLAT AGAINST PRINTED CIRCUIT BOARD.
- △ OBSOLETE PART NUMBER
- △ OBSOLETE PARTS: OBSOLETE CIS STREAMLINING PER D.RENAUD/D.SINISI



REVISIONS						
P	F	ZONE	DESCRIPTION	DATE	APPROVED	
		O				
✓		A	REV PER ECO-10-000445 (REV. 1440)	10-28-93	AK	
✓		B	REV PER ECO-10-000445 (REV. 1440)	10-28-93	AK	
✓		C	REV PER ECO-10-000445 (REV. 1440)	10-28-93	AK	
✓		D	REV PER AD-4846	10-31-90	AF	
✓		E	REV PER AD-5159	1-16-91	RF	
✓		F	REV PER ECO-10-000445 (REV. 1440)	1-20-94	AK	
✓		G	EC. 0010-1359-93	1-1-93	AF	
G1 REV PER ECO-10-000445					JAN10	AEG

154	318	3.984	3.900	39	△	40	4-87527-0
		3.884	3.800	38		39	3-△-9
		3.784	3.700	37		38	3-△-8
		3.684	3.600	36		37	3-△-7
		3.584	3.500	35		36	3-△-6
		3.484	3.400	34		35	3-△-5
		3.384	3.300	33		34	3-△-4
		3.284	3.200	32		33	3-△-3
		3.184	3.100	31		32	3-△-2
		3.084	3.000	30		31	3-△-1
		2.984	2.900	29		30	3-△-0
		2.884	2.800	28		29	2-△-9
		2.784	2.700	27		28	2-△-8
		2.684	2.600	26		27	2-△-7
		2.584	2.500	25		26	2-△-6
		2.484	2.400	24		25	2-△-5
		2.384	2.300	23		24	2-△-4
		2.284	2.200	22		23	2-△-3
		2.184	2.100	21		22	2-△-2
		2.084	2.000	20		21	2-△-1
		1.984	1.900	19		20	2-△-0
		1.884	1.800	18		19	1-△-9
		1.784	1.700	17		18	1-△-8
		1.684	1.600	16		17	1-△-7
		1.584	1.500	15		16	1-△-6
		1.484	1.400	14		15	1-△-5
		1.384	1.300	13		14	1-△-4
		1.284	1.200	12		13	1-△-3
		1.184	1.100	11		12	1-△-2
		1.084	1.000	10		11	1-△-1
		.984	.900	9		10	1-△-0
		.884	.800	8		9	0-△-9
		.784	.700	7		8	0-△-8
		.684	.600	6		7	0-△-7
		.584	.500	5		6	0-△-6
		.484	.400	4		5	0-△-5
		.384	.300	3		4	0-△-4
		.284	.200	2		3	0-△-3
		.184	.100	1		2	0-△-2
154	318	.084			△	1	87527-1

OBSOLETE
 △

UNLESS OTHERWISE SPECIFIED DIMENSIONS ARE IN INCHES. TOLERANCES ON: DECIMALS ±.005 ANGLES ±.005		CONTRACT NO. DR <i>B. White</i> 8675 CHK <i>W. White</i> 8675	AMP INCORPORATED Harrisburg, Pa.	
MATERIAL HOUSINGS: GLASS FILLED NYLON COLOR: BLACK POST: P105 BRONZE		APPD <i>B. White</i> 8675 APPD <i>B. White</i> 8675 DSGN APPD <i>B. White</i> 8675	NAME HEADER ASSY, MOD II, .025 SQ. POSTS, .100 & SINGLE ROW	
FINISH: SEE TABLE		OTHER AT	SIZE: C CODE IDENT NO: 00779	DRAWING NO: 87527 REV: G1

CUSTOMER DRAWING