

4

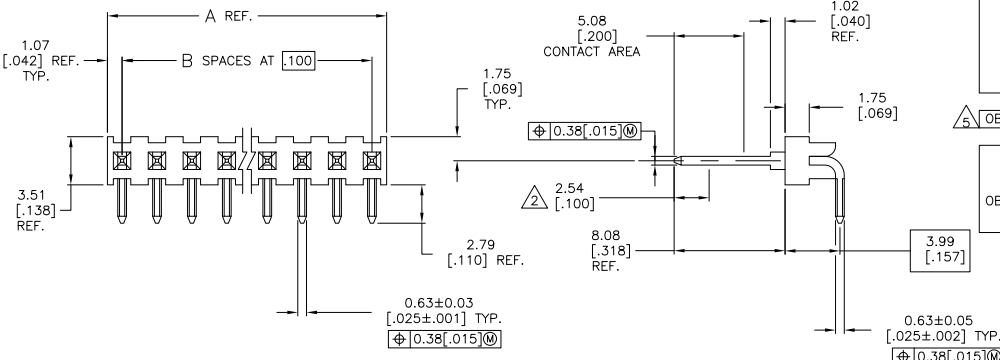
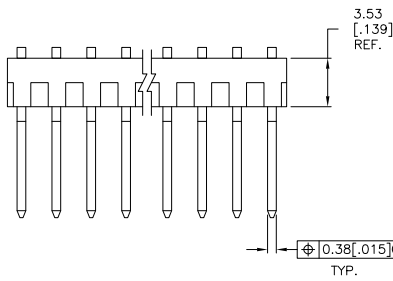
3

2

1

THIS DRAWING IS UNPUBLISHED. RELEASED FOR PUBLICATION 87232-87232  
 © COPYRIGHT 87232 BY - ALL RIGHTS RESERVED.

LOC		DIBT		REVISIONS			
AD	00	F	LR	DESCRIPTION	DATE	BY	APPD
		H2		REVISED PER ECO-11-004820	11MAR11	RK	HMR



1. RECOMMENDED MOUNTING HOLE:  $\varnothing 0.89 \pm 0.08 [0.35 \pm .003]$ .
2. POINT OF MEASUREMENT FOR PLATING THICKNESS.
3. HOUSING: GLASS FILLED NYLON. COLOR - BLACK. POSTS: PHOS. BRONZE
4. 0.00076[.000030] GOLD IN CONTACT AREA, GOLD FLASH ON REMAINDER OF POSTS, ALL OVER 0.00127[.000050] NICKEL.
5. OBSOLETE PARTS: OBSOLETE CIS STREAMLINING PER D.RENAUD/D.SINISI

39	101.19	3.984	40	4-87232-0
38	98.65	3.884	39	3-87232-9
37	96.11	3.784	38	3-87232-8
36	93.57	3.684	37	3-87232-7
35	91.03	3.584	36	3-87232-6
34	88.49	3.484	35	3-87232-5
33	85.95	3.384	34	3-87232-4
32	83.41	3.284	33	3-87232-3
31	80.87	3.184	32	3-87232-2
30	78.33	3.084	31	3-87232-1
29	75.79	2.984	30	3-87232-0
28	73.25	2.884	29	2-87232-9
27	70.71	2.784	28	2-87232-8
26	68.17	2.684	27	2-87232-7
25	65.63	2.584	26	2-87232-6
24	63.09	2.484	25	2-87232-5
23	60.55	2.384	24	2-87232-4
22	58.01	2.284	23	2-87232-3
21	55.47	2.184	22	2-87232-2
20	52.93	2.084	21	2-87232-1
19	50.39	1.984	20	2-87232-0
18	47.85	1.884	19	1-87232-9
17	45.31	1.784	18	1-87232-8
16	42.77	1.684	17	1-87232-7
15	40.23	1.584	16	1-87232-6
14	37.69	1.484	15	1-87232-5
13	35.15	1.384	14	1-87232-4
12	32.61	1.284	13	1-87232-3
11	30.07	1.184	12	1-87232-2
10	27.53	1.084	11	1-87232-1
9	24.99	0.984	10	1-87232-0
8	22.45	0.884	9	87232-9
7	19.91	0.784	8	87232-8
6	17.37	0.684	7	87232-7
5	14.83	0.584	6	87232-6
4	12.29	0.484	5	87232-5
3	9.75	0.384	4	87232-4
2	7.21	0.284	3	87232-3
1	4.67	0.184	2	87232-2
0	2.13	0.084	1	87232-1
B	A		NO OF POSN	PART NUMBER

THIS DRAWING IS A CONTROLLED DOCUMENT.

DIMENSIONS: mm [INCHES]	DESIGNER: S. SHUEY	DATE: 31-MAR-97	TE Connectivity
TOLERANCES UNLESS OTHERWISE SPECIFIED:	CHECKER: S. SHUEY	DATE: 31-MAR-97	TE Connectivity
0 PL ± .01	APPROVED: S. SHUEY	DATE: 31-MAR-97	TE Connectivity
1 PL ± .01	PRODUCT SPEC: ---		TE Connectivity
2 PL ± .01	APPLICATION SPEC: ---		TE Connectivity
3 PL ± .01	WEIGHT: ---		TE Connectivity
4 PL ± .01	FINISH: ---		TE Connectivity
5 PL ± .01			TE Connectivity

HEADER ASSEMBLY, MOD II, 2.54[.100] CL, RIGHT ANGLE, 0.64[.025] SQUARE POST, SINGLE ROW

SIZE: A2 00779 C-87232

CUSTOMER DRAWING SCALE: 5:1 SHEET: 1 of 1 REV: H2